

MWPS-72044

24' Frame Utility Building

CAUTION!

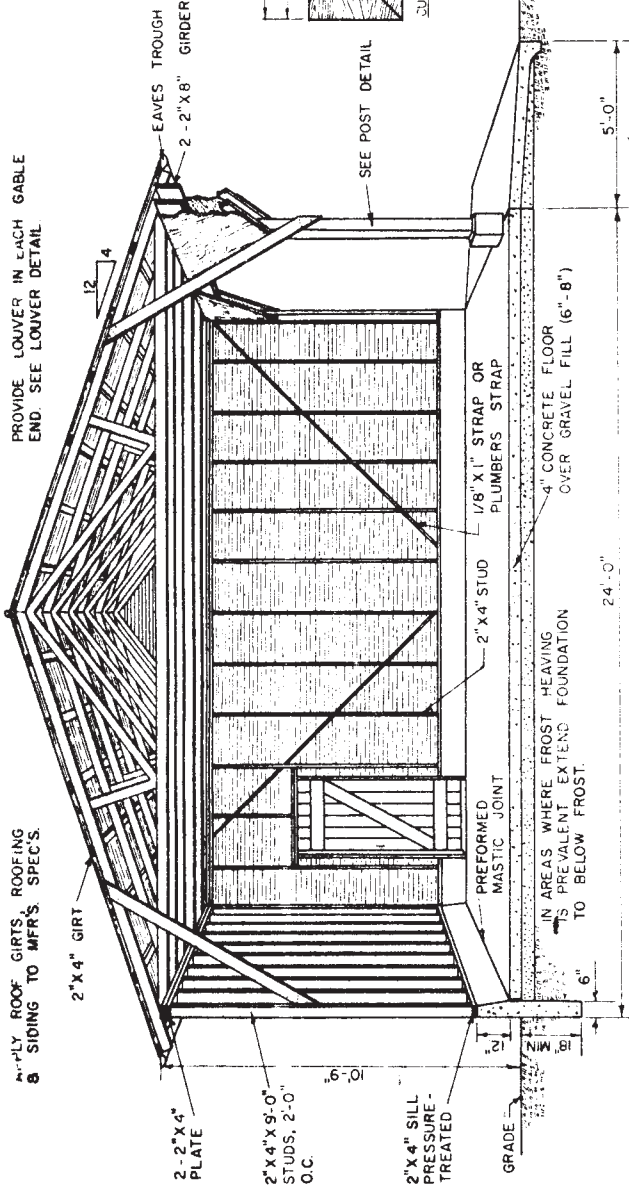
Additional professional services will be required to tailor this plan to your situation, including but not limited to: assurance of compliance with codes and regulations; review of specifications for materials and equipment; supervision of site selection, bid letting and construction; and provision for utilities, waste management, roads or other access. **Furthermore, any deviation from the given specifications may result in structural failure, property damage, and personal injury including loss of life.**

WARRANTY DISCLAIMER

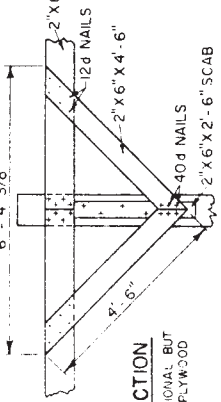
This plan provides conceptual information only. **Neither midwest plan service nor any of the cooperating land-grant universities, or their respective agents or employees, have made, and do not hereby make, any representation, warranty or covenant with respect to the specifications in this plan.** Additional professional services will be required to tailor this plan to your situation, including but not limited to: assurance of compliance with codes and regulations; review of specifications for materials and equipment; supervision of site selection, bid letting and construction; and provision for utilities, waste management, roads or other access.

MIDWEST PLAN SERVICE
Cooperative Extension Work in Agriculture and Home Economics and Agricultural Experiment Stations of North Central Region - USDA Cooperating
24' Frame Utility Building
Title Page
MIDWEST PLAN NO. 72044

APPLY ROOF GIRTS, ROOFING & SIDING TO MFR'S SPECS.

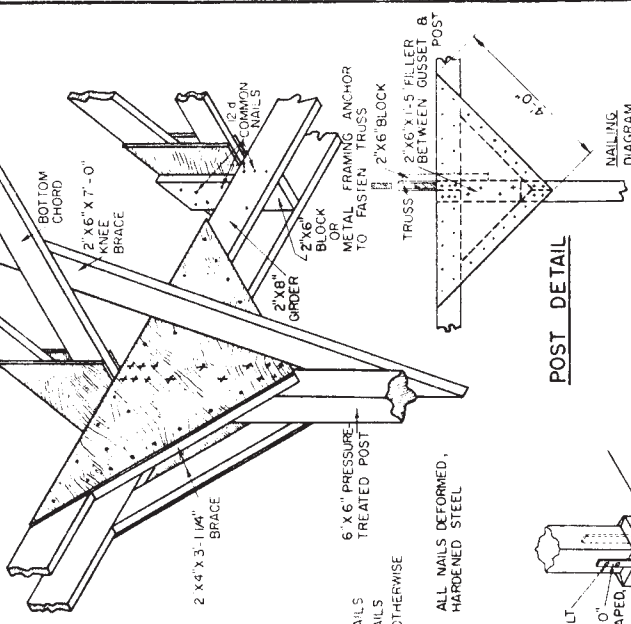
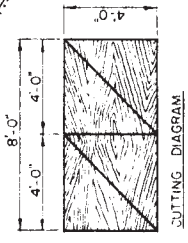
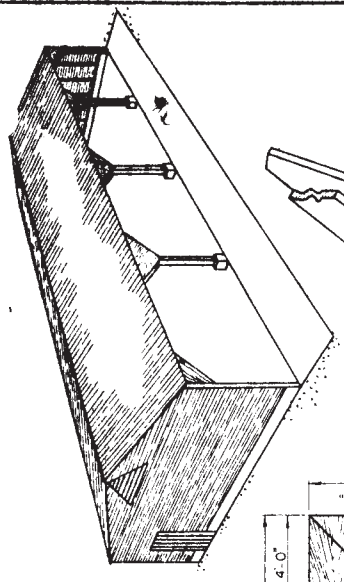
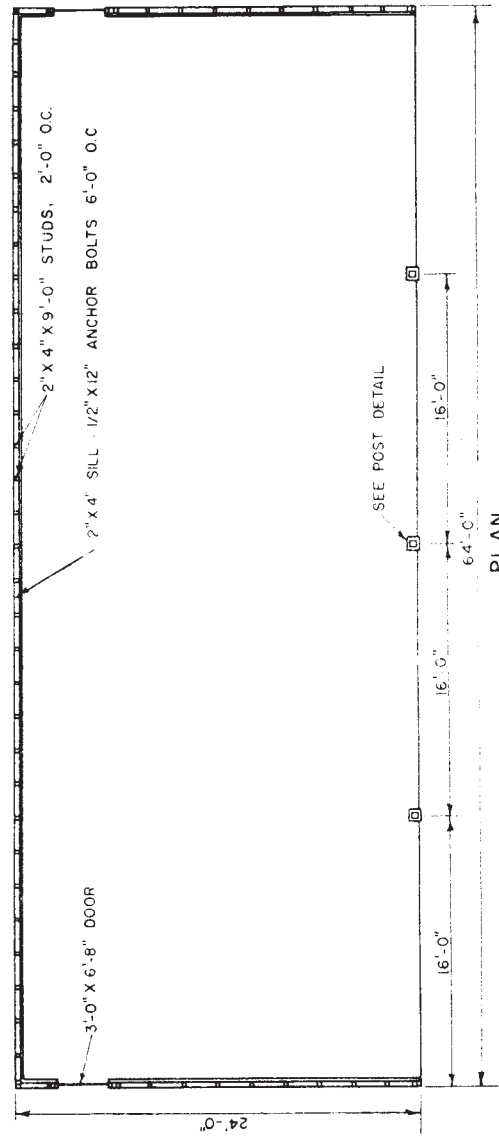


INTERIOR

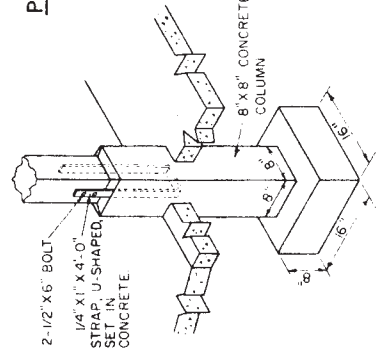


ALTERNATE CONNECTION

THIS JOINT IS MORE CONVENTIONAL BUT LESS EFFECTIVE THAN THE PLYWOOD DETAIL SHOWN



POST DETAIL



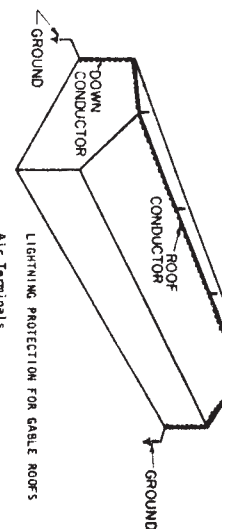
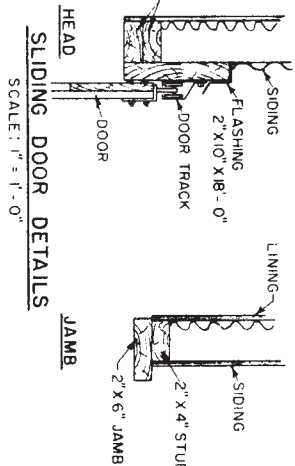
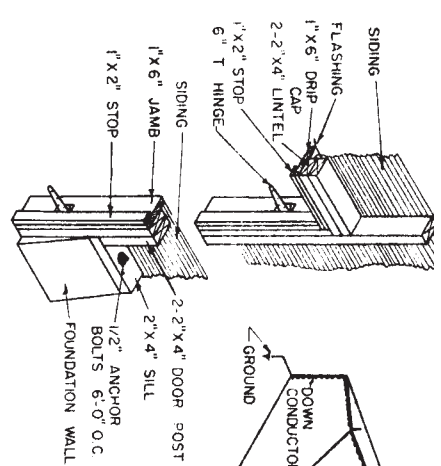
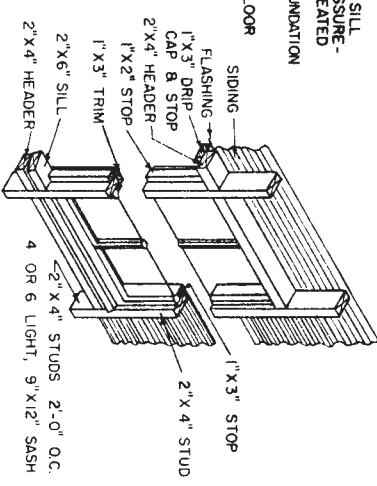
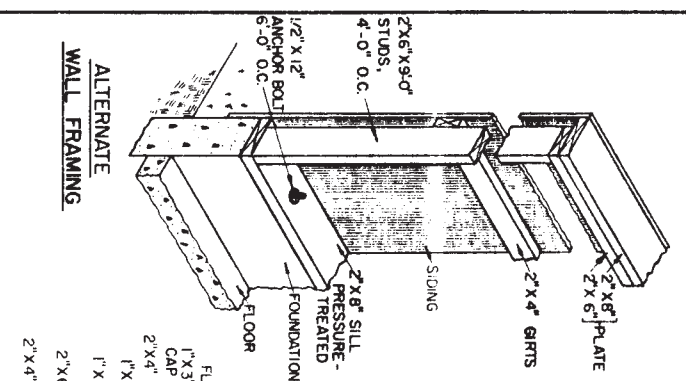
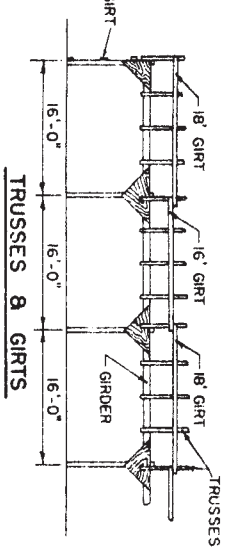
• 8 d NAILS + 40 d NAILS UNLESS OTHERWISE NOTED

ALL NAILS DEFORMED, HARDENED STEEL

SHEET 3: 24' SPAN TRUSSES	
MIDWEST PLAN SERVICE	
COOPERATIVE EXTENSION WORK IN AGRICULTURE, HOME ECONOMICS AND DOMESTIC SCIENCE STATIONS OF NORTH CENTRAL REGION, U.S.D.A. COOPERATING	
24' FRAME UTILITY BUILDING	
6011	SHEET 1 OF 3 SHEETS
MIDWEST PLAN NO. 72044	

COPYRIGHT 1961 MIDWEST PLAN SERVICE

SCALE 1/8" = 1'-0"



LIGHTNING PROTECTION FOR GABLE ROOFS

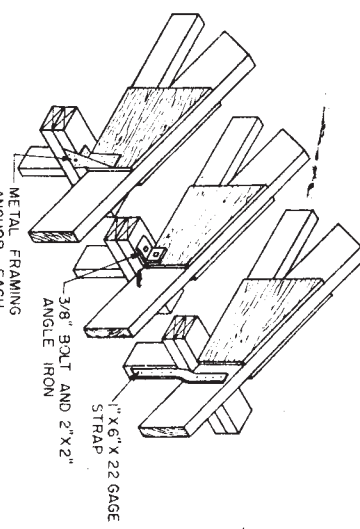
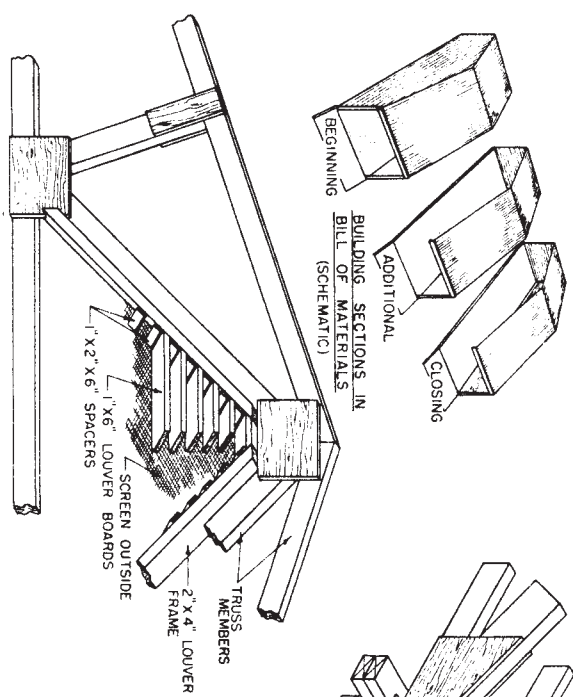
Air Terminals
 At least 24\"/>

Grounds
 One ground per down conductor.
 Rods buried at least 10'.
 If water pipe enters bldg., bond at least one down conductor to it.

Metal Roofs
 Ground metal roofs without air terminals by attaching 18\"/>

Master Label
 For maximum lightning protection obtain a Master Label System as approved by the Underwriters' Laboratories, Inc.

CONCRETE	NO.	BUILDING SECTION (16' LONG)		
		BEGINNING FBM	ADDITIONAL FBM	CLOSING FBM
Foundation	2	4 3/4	1	2
Floor	1	1	4 3/4	1
Apron	1	1	1	1
Mastic	40	16	16	40
Ln. Feet	30	30	30	42 2/3
Posts	1	1	1	1
Girders	3 3/4	14	2 1/2	4 2/3
Bracing	2	2	1	3
	1	7	7	45
	45	4	4	7 1/3
	7	7	7	16
	7	16	8	23
	24	10 2/3	1	32
	2	48	2	21 1/3
	2	21 1/3	2	160
	445	2	2	445
	448	32	32	32
	32	8	8	8
	5	25	2	25
	15	2	15	2
	1	28 1/3	4	28 1/3
	1	3 1/2	1	3 1/2



TRUSS ATTACHMENT

SHEET 3: 24' SPAN TRUSSES

MIDWEST PLAN SERVICE
 COOPERATIVE EXTENSION WORK IN AGRICULTURE AND HOME ECONOMICS AND AGRICULTURAL EXPERIMENT STATIONS OF NORTH CENTRAL REGION USDA COOPERATING

24' FRAME

UTILITY BUILDING

MIDWEST PLAN NO. 72044

6011 SHEET 2 OF 3 SHEETS