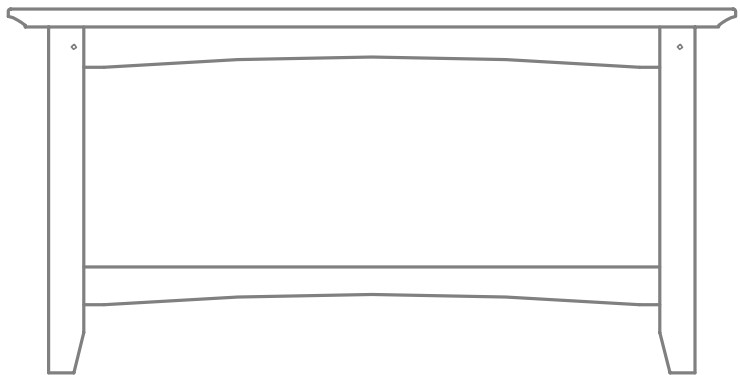
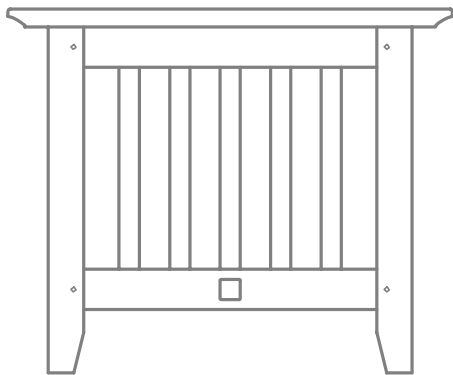


# MISSION COFFEE TABLE



18H X 36W X 22D OVERALL



## BenchMark

MISSION STYLE COFFEE TABLE

Philip Dumbalough

PLATE ZERO

DEC 10, 2002

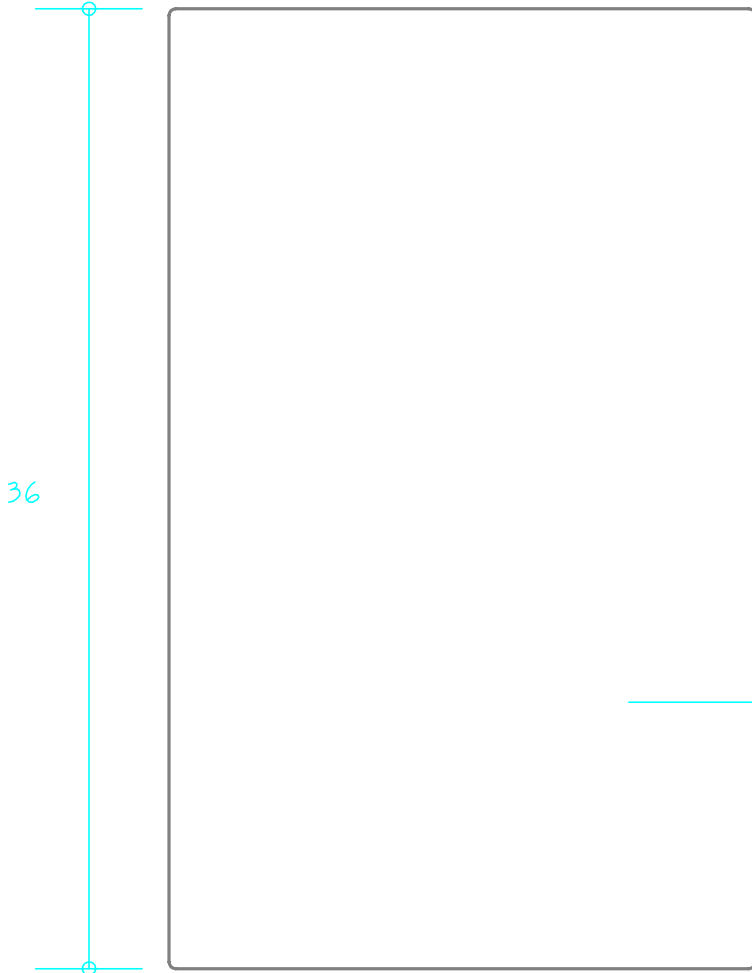
COFFEE.GCD

REV A

<http://benchmark.20m.com>

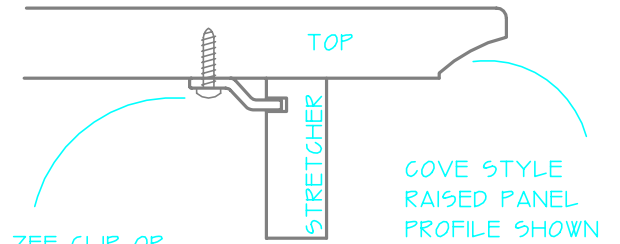
# TOP

22



36

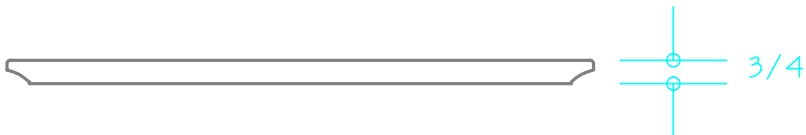
## - SECTION A -



ZEE CLIP OR  
OTHER ATTACHMENT  
METHOD USED TO  
SECURE TOP  
TO LEG / FRAME  
ASSEMBLY

COVE STYLE  
RAISED PANEL  
PROFILE SHOWN

A



3/4

TOP MADE OF SOLID STOCK EDGE GLUED TOGETHER  
OR A VENEERED SUBSTRATE WITH BANDED EDGES

# Benchmark

MISSION STYLE COFFEE TABLE

Philip Bumbalough

PLATE ONE

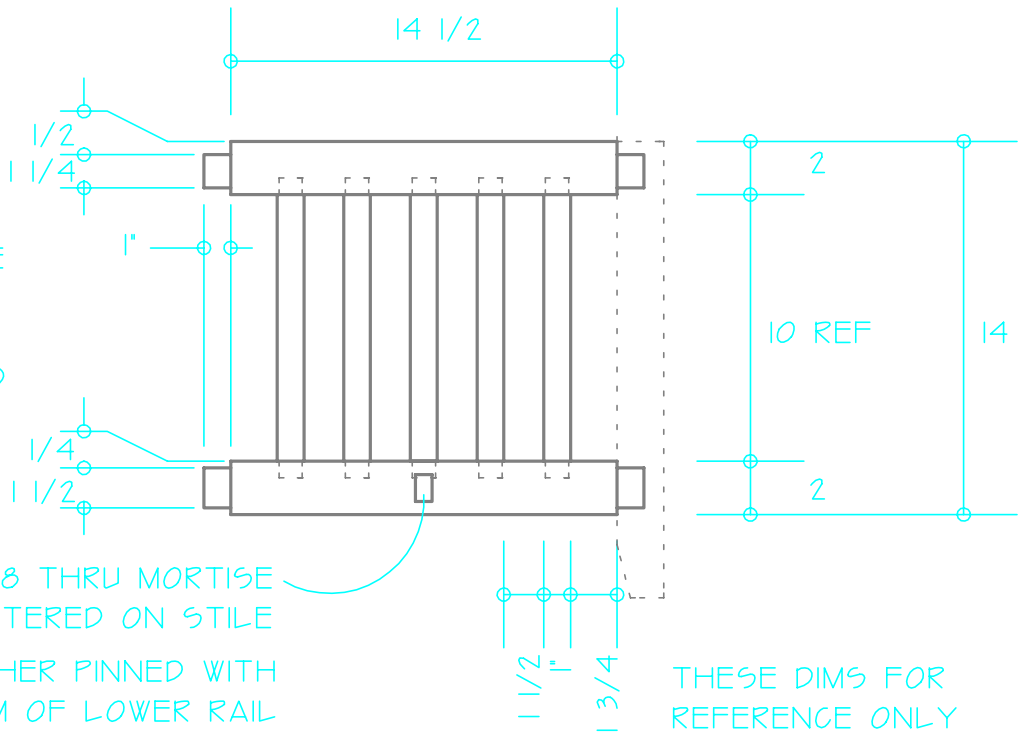
DEC 10, 2002 COFFEE.GCD

REV A

<http://benchmark.20m.com>

# SPINDLE ASSEMBLY

## END RAIL ASSEMBLY

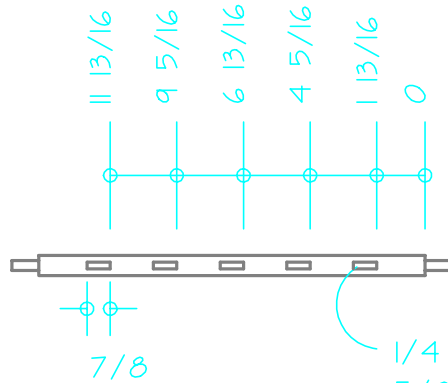
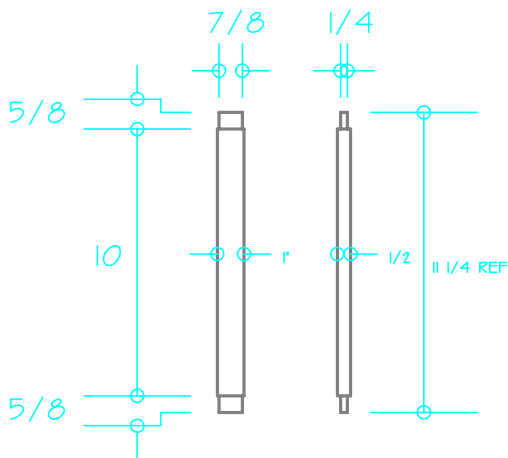


UPPER AND LOWER SPINDLE  
RAILS SHOWN ASSEMBLED  
WITH SPINDLES  
TWO ASSEMBLIES REQUIRED

BOTTOM STRETCHER PINNED WITH  
PEG TROUGH BOTTOM OF LOWER RAIL

## SPINDLE

TEN REQUIRED



SPINDLE MORTISE  
LOCATIONS

# Benchmark

MISSION STYLE COFFEE TABLE

Philip Bumbalough

PLATE TWO

DEC 10, 2002 COFFEE.GCD

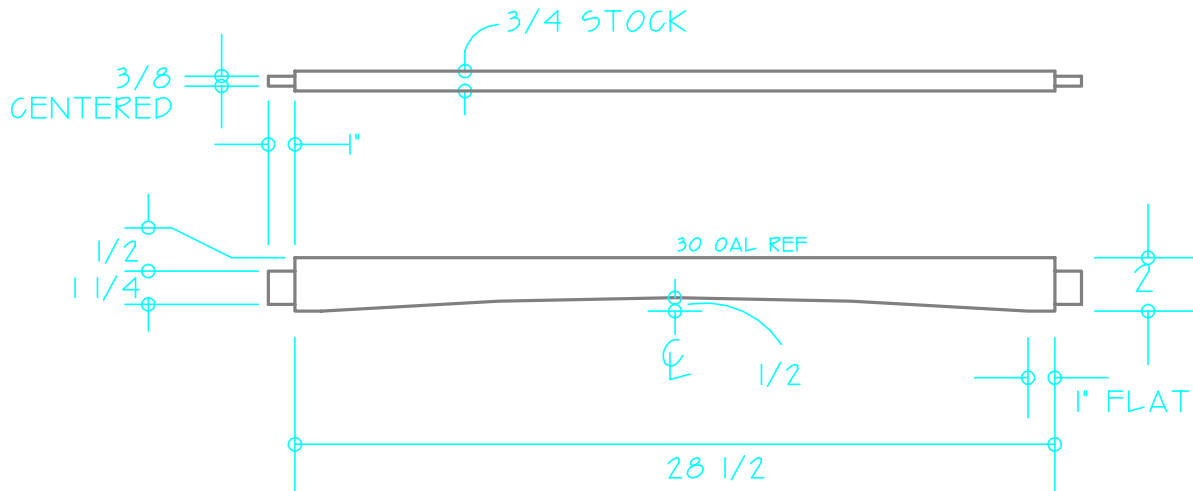
REV A

<http://benchmark.20m.com>

# STRETCHERS

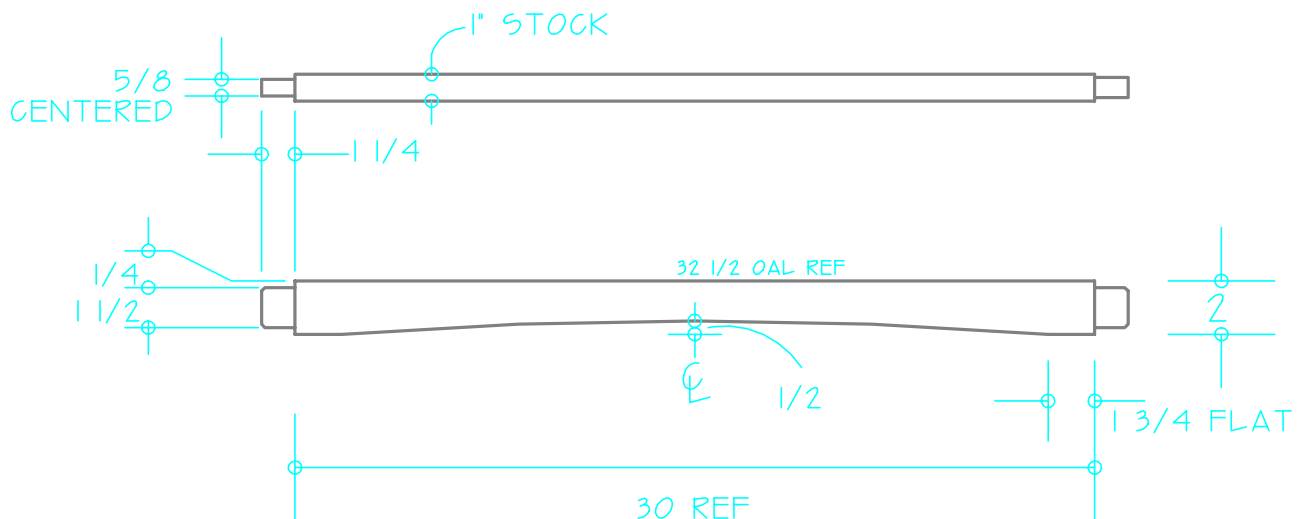
## TOP STETCHERS

TWO REQUIRED



## BOTTOM STRETCHER

ONE REQUIRED



CHAMFERED ENDS, TENON  
WILL PROTRUDE 1/2" THROUGH  
LOWER SPINDLE RAIL

# Benchmark

MISSION STYLE COFFEE TABLE

Philip Dumbalough

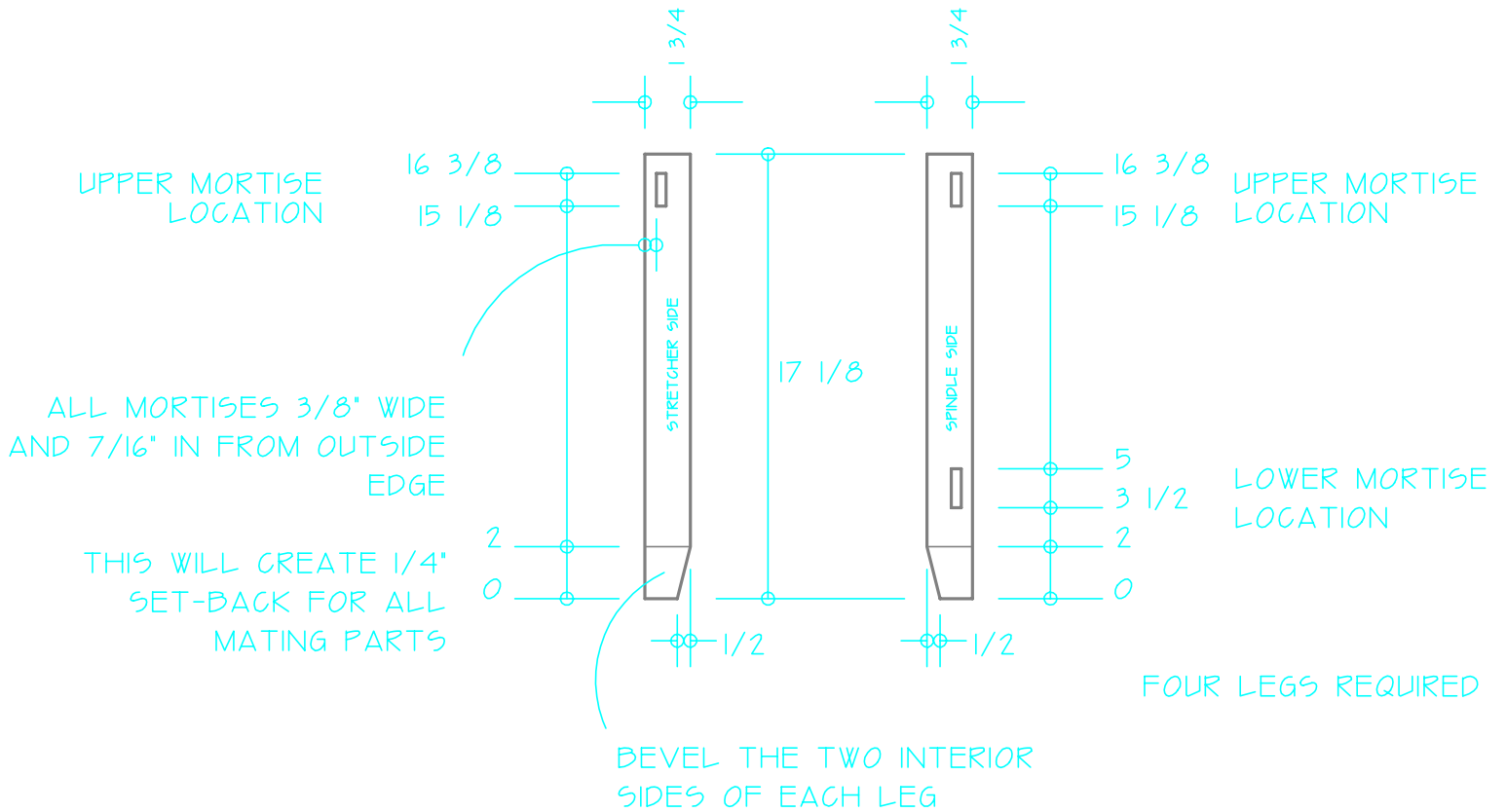
PLATE THREE

DEC 10, 2002 COFFEE.GCD

<http://benchmark.20m.com>

REV A

# LEG



## Benchmark

MISSION STYLE COFFEE TABLE

Philip Bumbalough

PLATE FOUR

DEC 10, 2002 COFFEE.GCD

REV A

<http://benchmark.20m.com>