



Wow! I Made It.com

Barbecue Table

If you have arrived at your barbecue with hands full of sauces, steaks, tongs, hot pads, and spatulas and had nowhere to put them, you'll want to build this barbecue table. It's perfectly sized to hold trays and bottles, and even has a place to hang your barbecue tools.



Materials

12 linear feet of 2 x 2 pine
30 linear feet of 1 x 4 pine
10 linear feet of 5/4 x 6 pine

Hardware

36, 2" wood screws
16, 1-5/8" wood screws
50, 1-1/4" (3d) finishing nails
3 cup hooks

Cutting list

Code	Description	Qty.	Material	Dimension
A	Long Side	4	1 x 4 pine	34-1/2" long
B	Short Side	4	1 x 4 pine	15" long
C	Leg	4	2 x 2 pine	32" long
D	Support Trim	2	1 x 1 pine	32-3/4" long
E	Shelf Board	8	1 x 4 pine	13-1/2" long
F	Top Support	1	1 x 4 pine	13-1/2" long
G	Top Boards	3	5/4 x 6 pine	38" long

Making the Frame

1. Cut four Long Sides (A) from 1 x 4 pine, each measuring 34-1/2 inches.
2. Cut four Short Sides (B) from 1 x 4 pine, each measuring 15 inches.
3. Place two of the Long Sides (A) on edge parallel to each other, and 13-1/2 inches apart. Fit two of the Short Sides (B) over the ends of the Long Sides (A) to form a rectangle measuring 36 x 15 inches, as shown in *Figure 1*. Apply glue to the meeting surfaces, and screw through the face of the Short Sides (B) into the ends of the Long Sides (A) using 1-5/8" wood screws.
4. Repeat Step 3 to form another rectangle with the remaining two Short and Long Sides (A and B). Designate one rectangle as the "Top" and the other as the "Bottom".
5. Cut four Legs (C) from 2 x 2 pine, each measuring 32 inches.

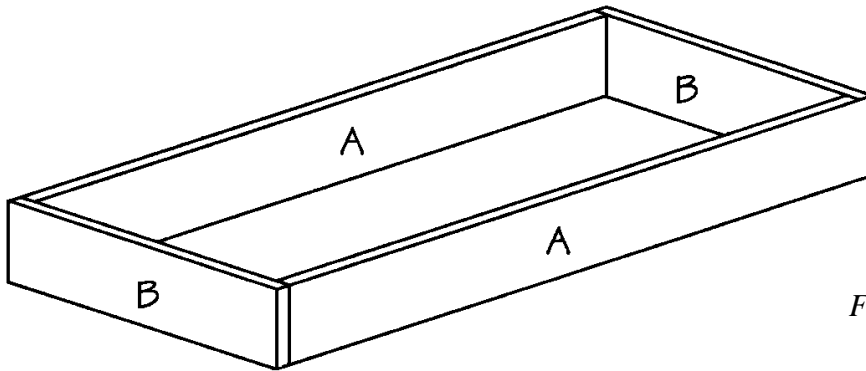


Figure 1

6. Place the four Legs (C) inside the corners of the assembled rectangle designated “Top”, as shown in Figure 2. Apply glue to the meeting surfaces, and screw through the Short and Long Sides (A and B) into both sides of each Leg (C), using two 2” wood screws on each joint.

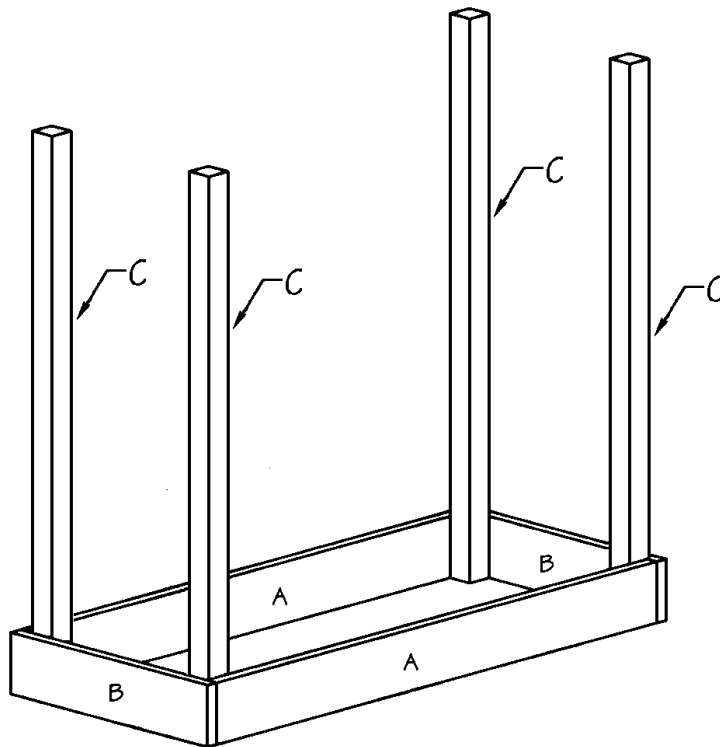


Figure 2

7. Place the assembled rectangle designated “Bottom” over the four Legs (C), 12 inches below the Top” rectangle, as shown in Figure 3. Again, Apply glue to the meeting surfaces, and

screw through the Short and Long Sides (A and B) into both sides of each Leg (C) using two 2" wood screws on each joint.

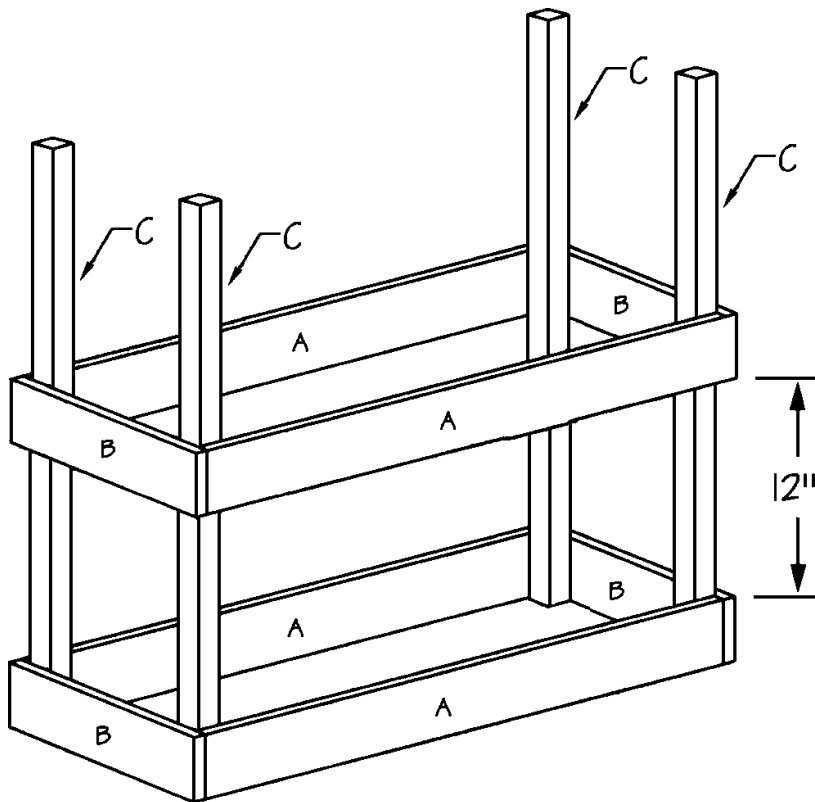


Figure 3

Adding the Bottom Shelf

1. Cut two Support Trims (D) from 1 x 1 pine, each measuring 32-3/4 inches.
2. Cut eight Shelf Boards (E) from 1 x 4 pine each measuring 13-1/2 inches.
3. Place the Support Trims (D) inside the Long Sides (A) of the Bottom rectangle, 3/4 inch from the top edge of the Long Sides (A), as shown in *Figure 4*. Apply glue to the meeting surfaces, and nail through the Support Trims (D) into the Long Sides (A) using 1-1/4" finishing nails evenly spaced about 3 inches apart.
4. Place the eight Shelf Boards (E) between the Long sides (A) over the Support Trims (D), as shown in *Figure 5*. Space the Shelf Boards (E) approximately 1/2-inch apart. Apply glue to the meeting surfaces, and nail through the Shelf Boards (E) into the Support Trims (D) using two 1-1/4" finishing nails on each joint.

Adding the Top

1. Cut one Top Support (F) from 1 x 4 pine, measuring 13-1/2 inches.

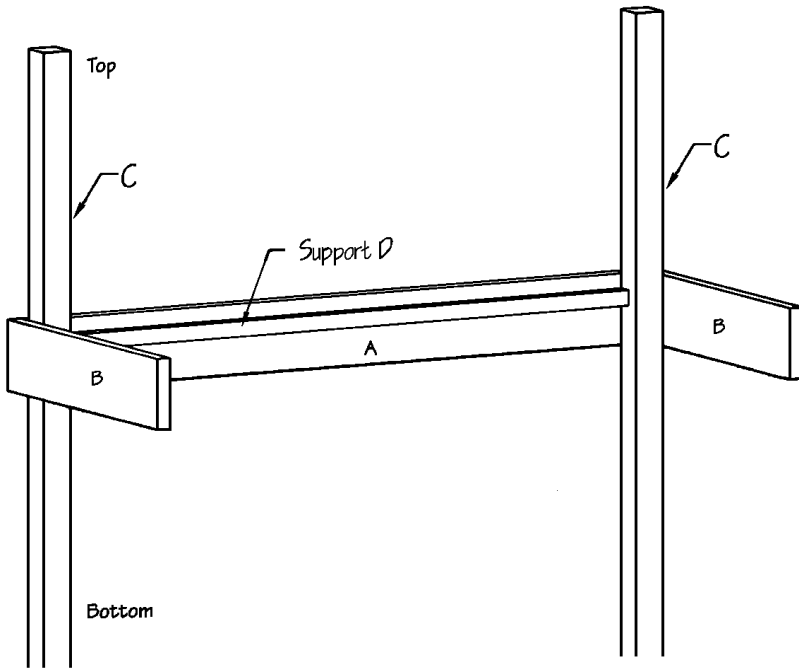


Figure 4

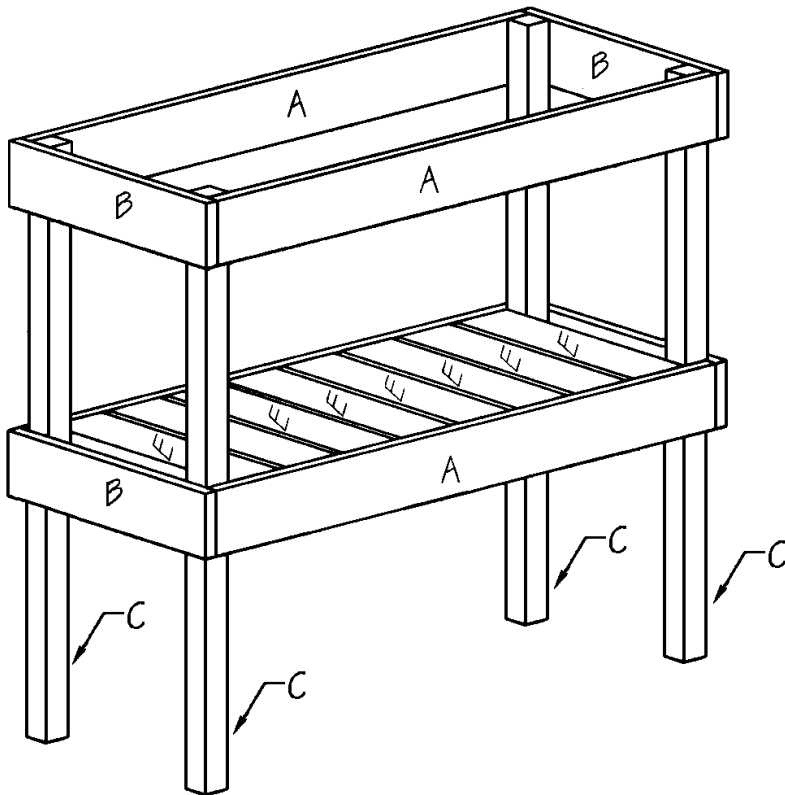


Figure 5

2. Place the Top Support (F) between the two Long Sides (A) on the “Top”, centered between the two Short Sides (B), as shown in *Figure 6*. Apply glue to the meeting surfaces and screw through the Long Sides (A) using two 1-5/8” wood screws on each joint.

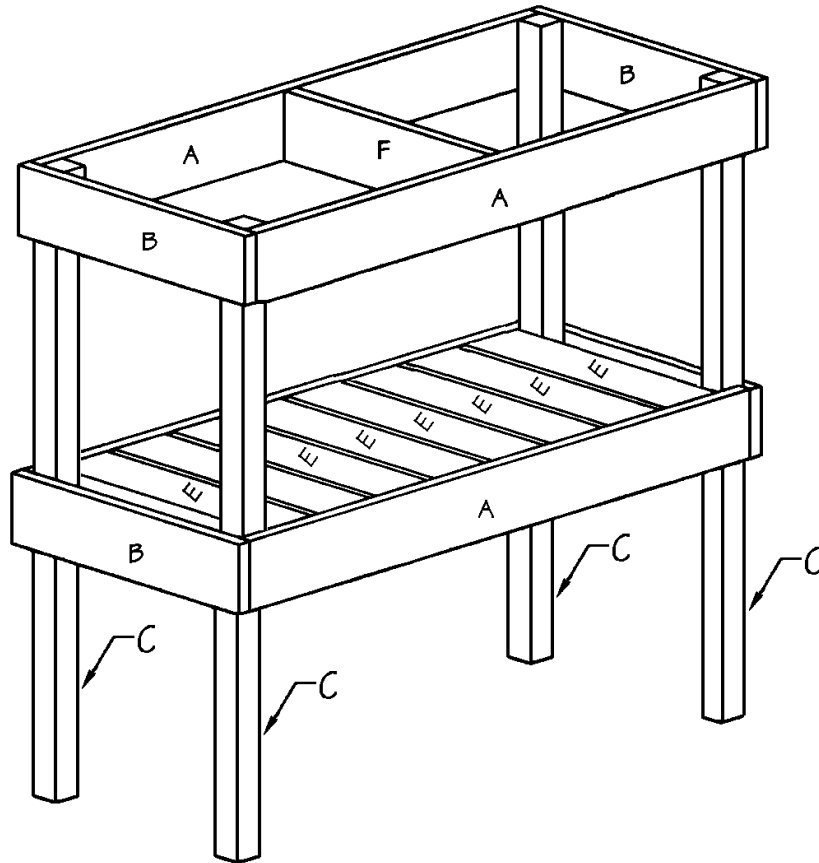


Figure 6

3. Cut three Tops (G) from 5/4 x 6 deck boards, each measuring 38 inches.
4. Place the three Top Boards (G) over the “Top”, as shown in *Figure 7*. The Top Boards (G) will overhang the “Top” by 1 inch on all four sides. Apply glue to the meeting surfaces, and nail through the Top Boards (G) into the Long Sides (A), Short Sides (B), and Top Support (F) using two 2” wood screws on each joint.

Finishing

1. Fill any cracks or crevices with wood filler and sand the table thoroughly.
2. Paint or stain your table the color of your choice, or leave it natural. The bottom of this table has been stained a natural color, and the top was painted red. We have lettered “Let’s

Get Cookin'™ on the bottom side of the finished tabletop.

3. Screw three cup hooks to one end of the tabletop for hanging barbecue tools, and get out the steak!

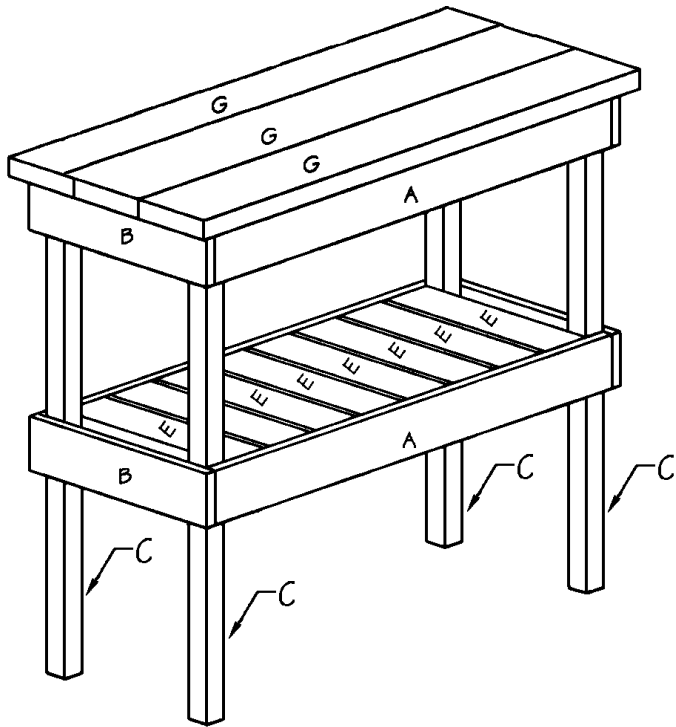


Figure 7



Enjoy other indoor and outdoor projects from www.wowimadeit.com! Your home and yard will be the envy of the neighborhood!