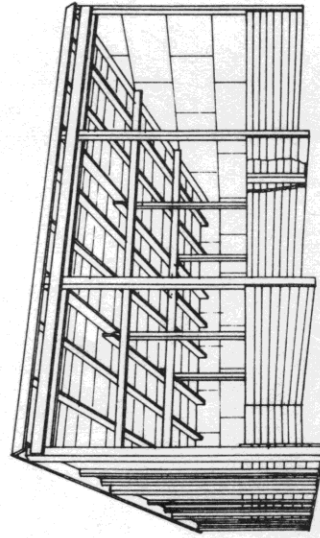


FLOOR PLAN
SCALE: 1/2" = 4'



PERSPECTIVE

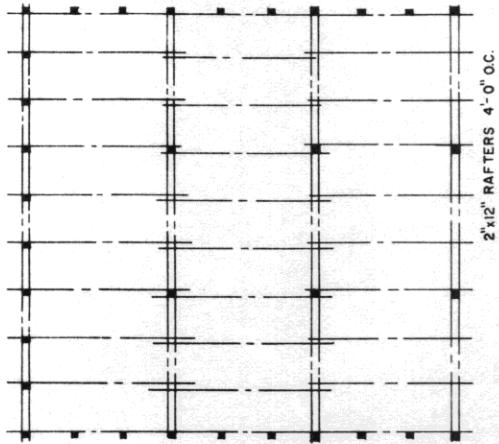
COOPERATIVE EXTENSION SERVICE
AND
AGRICULTURE AND HOME ECONOMICS

UNITED STATES DEPARTMENT OF AGRICULTURE COOPERATING

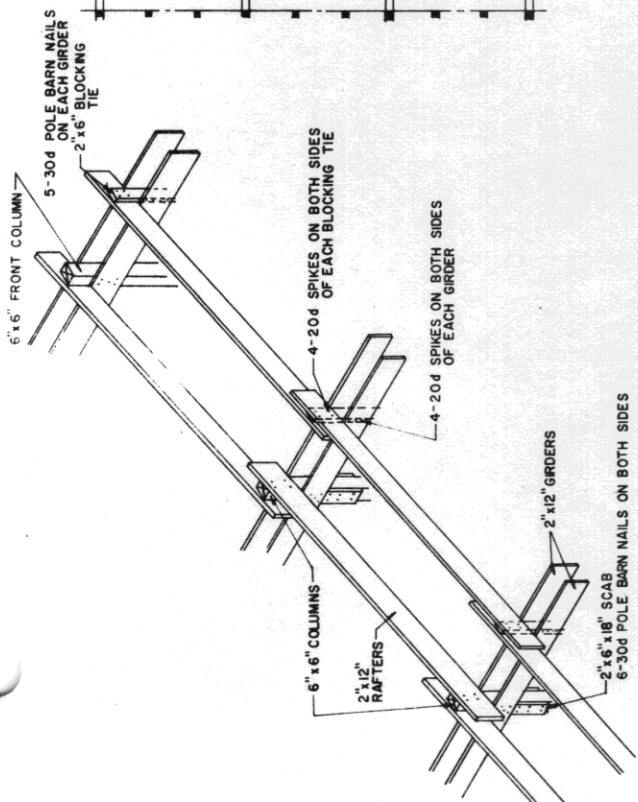
**LARGE CAPACITY BULK
FEED STORAGE BIN**

PENN '84 6364 SHEET 1 OF 1

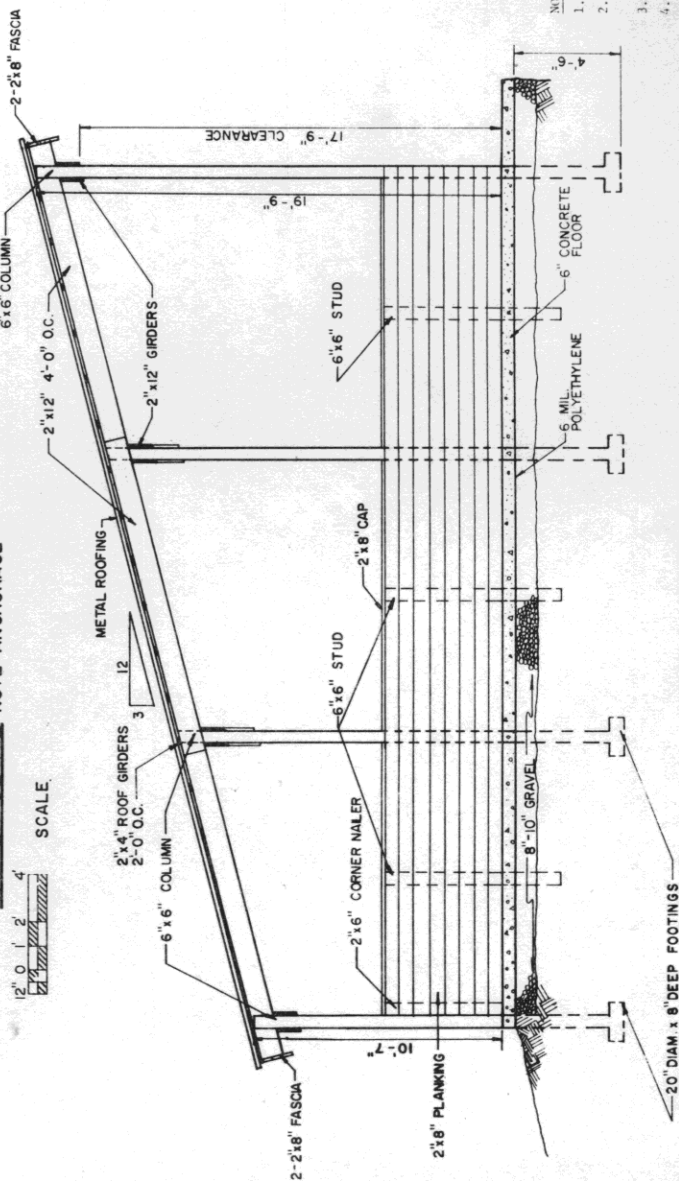
- NOTES:**
- DESIGN ROOF LOAD 30 psf.
 - LUMLER BENDING STRESS
 $f_b = 1200$ psi.
 - BULK MATERIAL CAPACITY 4000 lb/ft.
 - ALL COLUMNS IN EARTH TO BE PRESURE PRESERVATIVE TREATED HARDWOOD.
 - ALL PLANKING TO BE ROUGH SAWN.
 - CHECK DIMENSIONS BEFORE CONSTRUCTION.



RAFTER LAYOUT
SCALE: 1/2" = 4'



RAFTER DETAIL NOTE ANCHORAGE
SCALE: 1/2" = 4'



CROSS SECTION
SCALE: 1/2" = 4'