



Wow! I Made It.com

Occasional Table

Everyone needs an extra table somewhere in the house, and this table is an extremely versatile one. It is small enough that it can be placed anywhere, but large enough to accommodate a lamp, books, and a plant. You can coordinate the tile and stain colors to match any fabric in your decorating scheme.



Materials

- 45 linear feet of 1 x 4 pine
- One piece of 1/2-inch plywood, 24 inches square
- 4 ceramic tile*, nominal 12" square
- Tile mastic
- Tile grout
- Grout sealer

***Notes on Materials**

The dimensions of the top of this table depend on the size of the ceramic tile you use. If you choose a different size tile, you will have to change the lengths of several pieces. Lay out your tiles in a square pattern and measure the size of the center top (G), allowing grout space between and outside the tiles. Besides the center top (G), you will have to adjust the lengths of pieces A, B, E, and F.

Hardware

- 16 1" 2d finishing nails
- 40 1-1/4" screws
- 48 1-1/2" screws
- 12 2" screws

Special Tools and Techniques

- 3 or 4 large bar clamps or pipe clamps
- Trowel
- Rubber-surfaced trowel
- Tile cutter (if necessary)*
- Miters

Cutting List

Code	Description	Qty.	Materials	Dimensions
A	Long Base	2	1 x 4 pine	24" long
B	Short Base	2	1 x 4 pine	22-1/2" long
C	Wide Leg	4	1 x 4 pine	24" long
D	Narrow Leg	4	1 x 4 pine, ripped	24" long
E	Lower Trim	4	1 x 4 pine	27-1/2" long
F	Upper Trim	4	1 x 4 pine	31" long
G	Center Top	1	1/2-inch plywood	24" square

Building the Base

1. Cut two long bases (A) from 1 x 4 pine, each measuring 24 inches long.
2. Cut two short bases (B) from 1 x 4 pine, each measuring 22-1/2 inches long.
3. Place the two short bases (B) on a level surface, parallel to each other and 22-1/2 inches apart. Fit the two long bases (A) over the ends of the two short bases (B), as shown in *Figure 1*. Screw through the long bases (A) into the ends of the short bases (B) using two 1-1/2-inch screws on each joint.

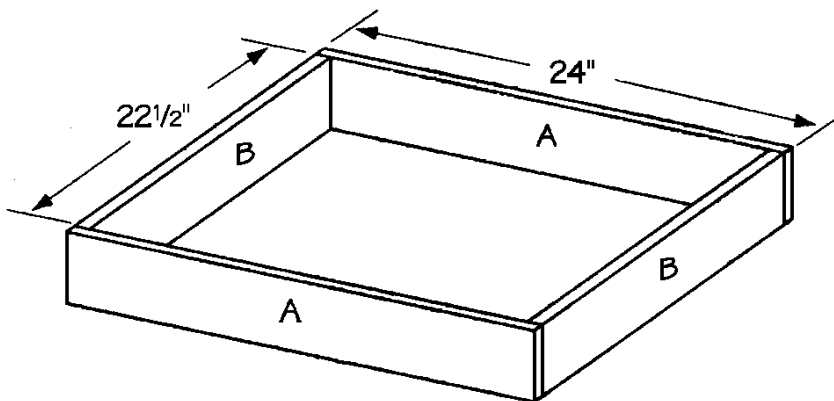
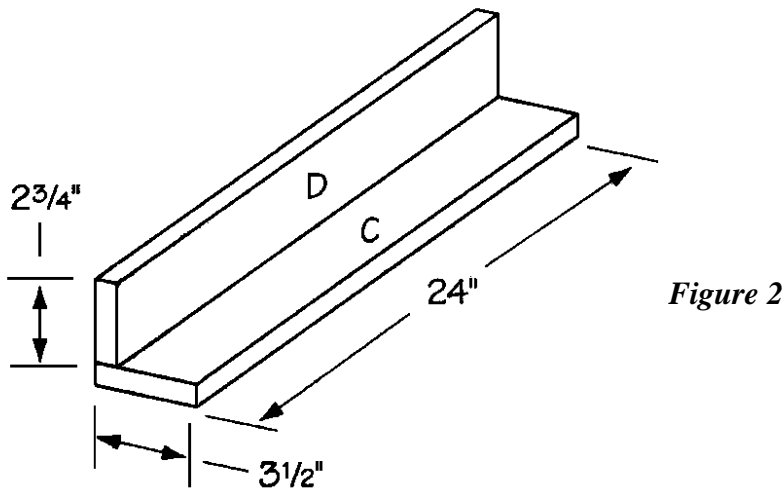


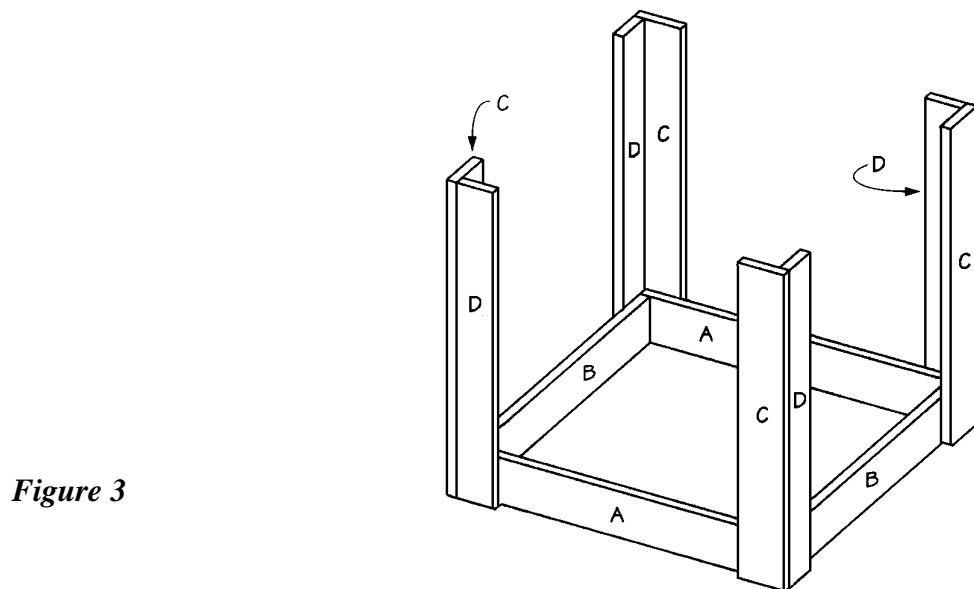
Figure 1

4. Cut four wide legs (C) from 1 x 4 pine, each measuring 24 inches long.
5. Rip a total of 9 feet of 1 x 4 pine to a width of 2-3/4 inches.

6. Cut four narrow legs (D) from the 2-3/4-inch-wide material, each measuring 24 inches long.
7. Attach one narrow leg (D) to one wide leg (C) as shown in *Figure 2*. Screw through the wide leg (C) into the edge of the narrow leg (D) using five evenly spaced 1-1/2-inch-long screws. If you have large enough clamps, apply glue to the edge of the narrow leg (D) clamp the wide leg (C) in place, and let dry for an hour. In this case you may omit the screws. The finished leg assembly should measure 3-1/2 inches across each of the outside widths.



8. Repeat Step 7 three more times using the remaining three narrow legs (D) and three wide legs (C).

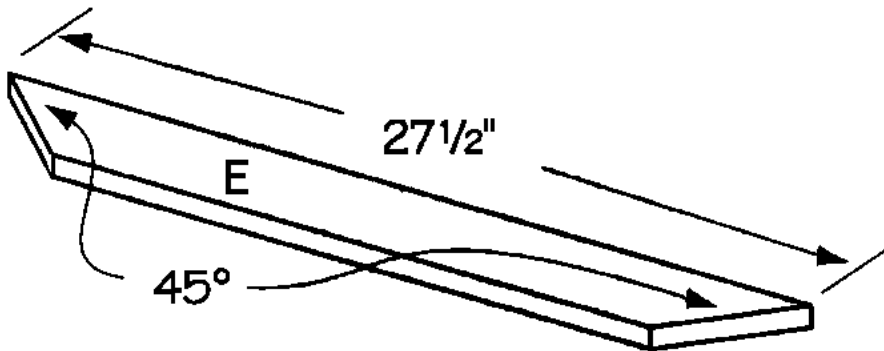


- Place the base assembly (A and B) on a level surface. Attach the four leg assemblies to each of the four corners of the base assembly, as shown in *Figure 3*. Apply glue on the meeting surfaces, and screw through both sides of each leg assembly using two 1-1/4" screws on each side of each leg. Use a try square to make sure that each leg is square to the adjoining base piece.

Making the Top

- Cut four lower trims (E) from 1 x 4 pine, each measuring 27-1/2 inches long.
- Miter the ends of each of the four lower trims (E) at opposing 45-degree angles, as shown in *Figure 4*.

Figure 4



- Attach each of the lower trims (E) to the base assembly, as shown in *Figure 5*. Apply glue to the top edge of the long and short bases (A and B), screw through the lower trims (E) into the wide and narrow legs (C and D) and the long and short bases (A and B). Use 1-1/2-inch screws spaced about 6 inches apart. The lower trims should overhang the legs by 1 inch. Use 1 1/4-inch (3d) finishing nails to keep the outside corners of the miter joints aligned. Nail across the joint from each side, starting about 3/4 from the end. Offset the nails slightly to avoid hitting the first nail with the second one.
- Cut four upper trims (F) from 1 x 4 pine, each measuring 31 inches long.
- Miter the ends of each of the four upper trims (F) at opposing 45-degree angles, as shown in *Figure 4*.
- Lay the four upper trims (F) on top of the lower trims (E) to check the miter joints. The upper trims (F) should extend outside the lower trims (E) by 1-3/4 inches and the miters of the upper trims (F) should line up with the miters of the lower trims (E). Mark the placement of the inside edges of the upper trims (F), remove the upper trims (F), and apply glue to the portion of the lower trims (E) outside the marks. Clamp the upper trims (F) in place and let the glue cure for about an hour. If you are short of clamps, screw through each lower trim (E) into its upper trim (F) using three 1-1/4-inch screws. You can then move your clamps to the next pair of trims and fasten them together. Again, use 1-

1/4-inch (3d) finish nails to keep the outside corners of the miter joints aligned. Nail across the joint from each side, starting about 3/4-inch from the end. Offset the nails slightly to avoid hitting the first nail with the second one.

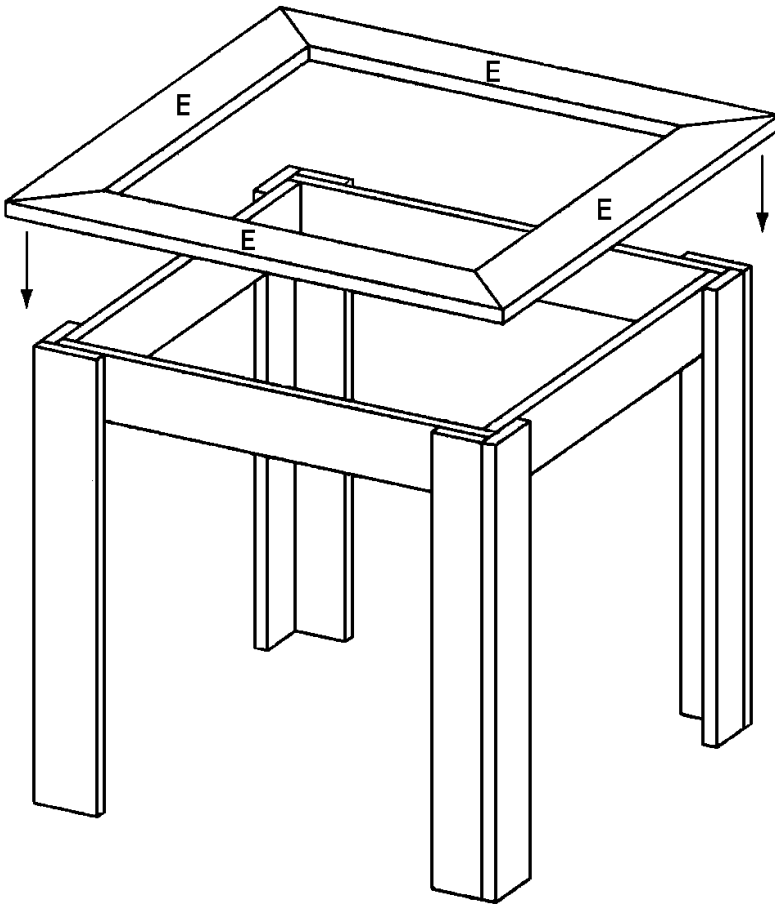


Figure 5

7. Cut one center top (G) from 1/2-inch-thick plywood, measuring 24 inches square.
8. Fit the center top (G) in the center of the four upper trims (F). Screw through the center top (G) and the lower trims (E) into the edges of the long and short bases (A and B). Use 2-inch screws, three to a side, placed 3/8 inch from the edges of the center top (G).

Adding the Tile

1. Following the manufacturer's directions, carefully spread an even coat of tile mastic over the surface of the plywood top (G) with a trowel.
2. Place the four tiles on the mastic one at a time, making sure that they are absolutely straight, and that the spaces between the tiles are all the same. Do not slide them, or the mastic will be forced up on the sides of the tile. Let the mastic dry overnight.
3. Mix the tile grout according the manufacturer's directions (or use pre-mixed grout).

4. Spread the grout over the tile using a rubber-surfaced trowel. Work in an arc, and hold the trowel at an angle so that the grout is forced evenly into the spaces between the tiles.
5. When the grout begins to set up, use a damp rag to wipe the excess from the tiles and the joints. If you let it dry, the hardened grout will be very difficult to remove. The idea is to use as little water as possible when removing the excess so that you don't thin the grout that remains. Let the grout dry overnight.
6. Rinse the remaining film from the tile and wipe it with an old towel.
7. Apply grout sealer, following the manufacturer's directions. Many grout sealers recommend that you wait several days before applying it to the project.

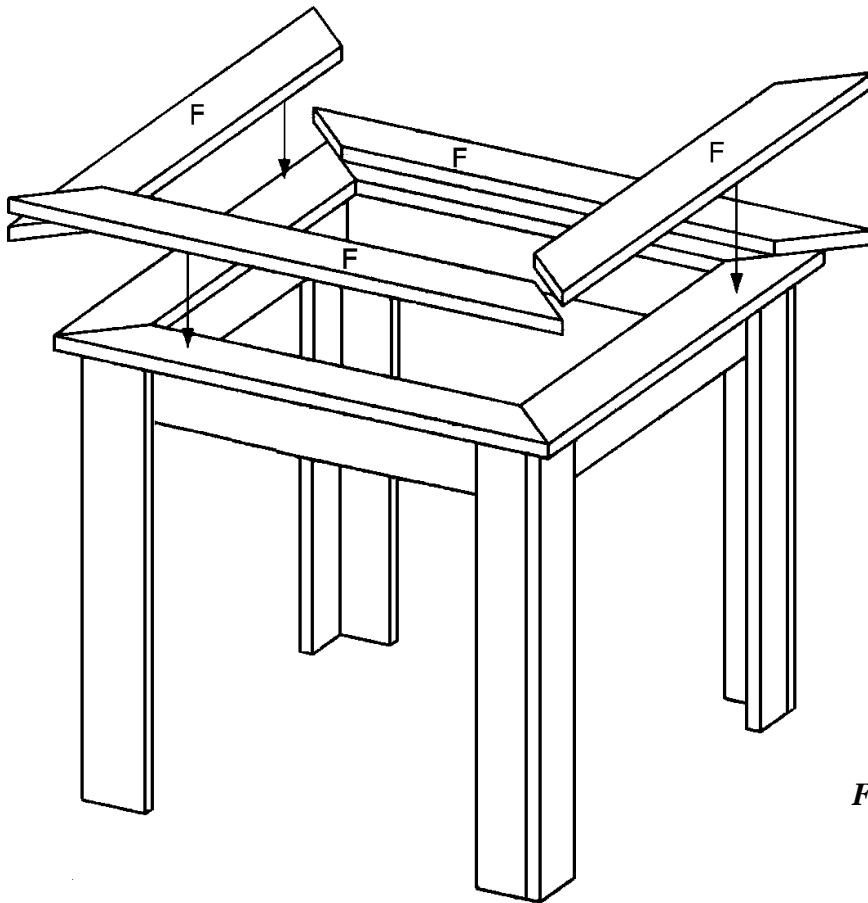


Figure 6

Finishing

1. Fill any screw holes or imperfections in the wood with wood filler.
2. Thoroughly sand all of the wood parts on the completed occasional table.
3. Stain or paint the wood portions of the table the color of your choice. We chose a deep burgundy stain to coordinate with our chair.