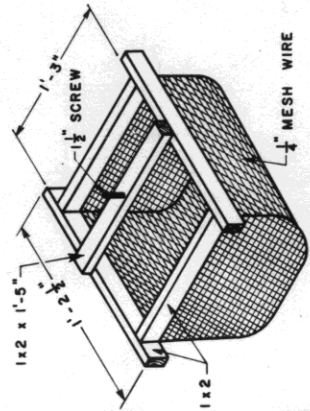
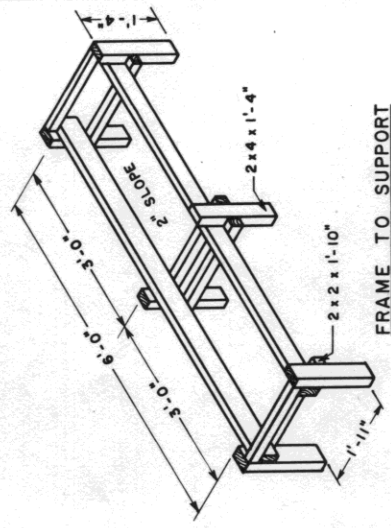


HONEY UNCAPPING TANK



BASKET TO COLLECT WAX CAPPINGS



FRAME TO SUPPORT UNCAPPING TANK

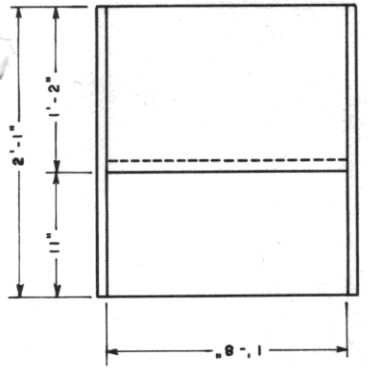
NOTE:
THE UNCAPPING TANK IS USED TO OPEN THE COMBS BEFORE HONEY EXTRACTING. TWO BASKETS MAY BE USED LEAVING APPROXIMATELY 42" TO HANG UNCAPPED COMBS.

MATERIALS:

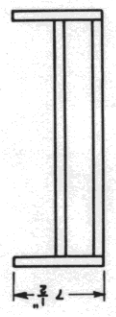
- FRAME
2 x 2 x 6'-0" PINE
2 x 4 x 26'-0" PINE
1 LB. 10d NAILS
- BASKET
1 x 2 x 8'-0" PINE
16 1/2" x 5'-0" x 1/4" MESH HDW. CLOTH
- TANK
4' x 2 3/4" x 8'-6 3/4" 26 GA. GALVANIZED

HONEYCOMB UNCAPPING TANK

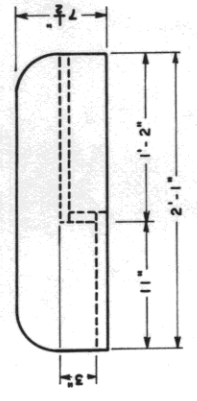
SCALE: NONE



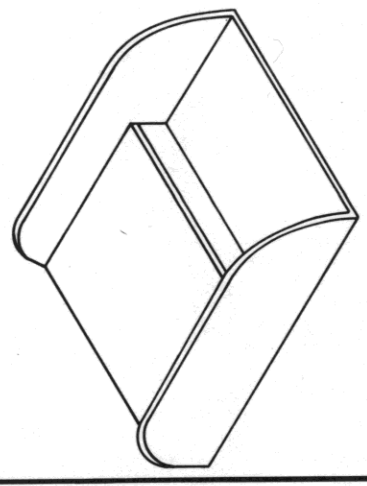
TOP VIEW



END VIEW



SIDE VIEW



ISOMETRIC VIEW

NOTE:
FINISHED UNIT SHOULD BE PAINTED WITH PAINT APPROVED FOR USE IN CONTACT WITH FOOD.

SUPER DUMPING BOARD

SCALE: NONE

COOPERATIVE EXTENSION WORK IN AGRICULTURE AND HOME ECONOMICS

UNITED STATES DEPARTMENT OF AGRICULTURE COOPERATING

HONEYCOMB UNCAPPING TANK AND SUPER DUMPING BOARD

USDA '80 EX. 6325 SHEET 1 OF 1