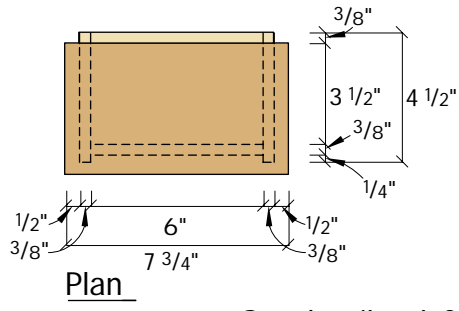
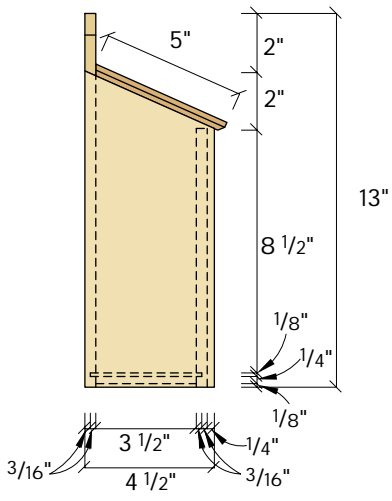


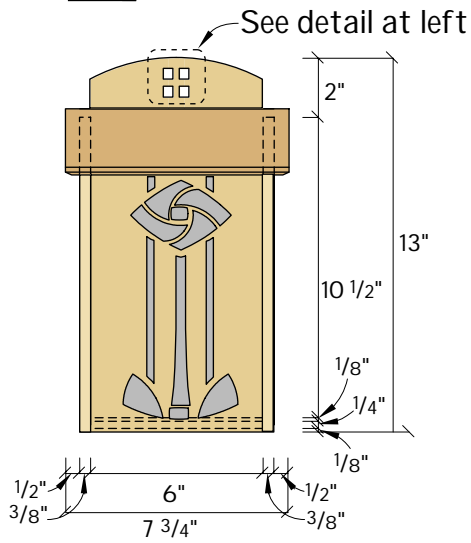
Four square detail



Plan



Profile



Elevation

Schedule of Materials: Bungalow Mailbox				
No.	Item	Dimensions T W L		Material
2	Sides	3/8" x 4 1/2" x 11"		White oak
1	Front	3/8" x 6" x 9"		White oak
1	Back	3/8" x 6" x 13"		White oak
1	Bottom	3/8" x 3 11/16" x 5 7/8"		White oak
1	Top	3/8" x 5" x 7 3/4"		White oak
1	Applied detail	1/8" x 6" x 9"		White oak
2	- 12" lengths of 3/4" copper pipe			

