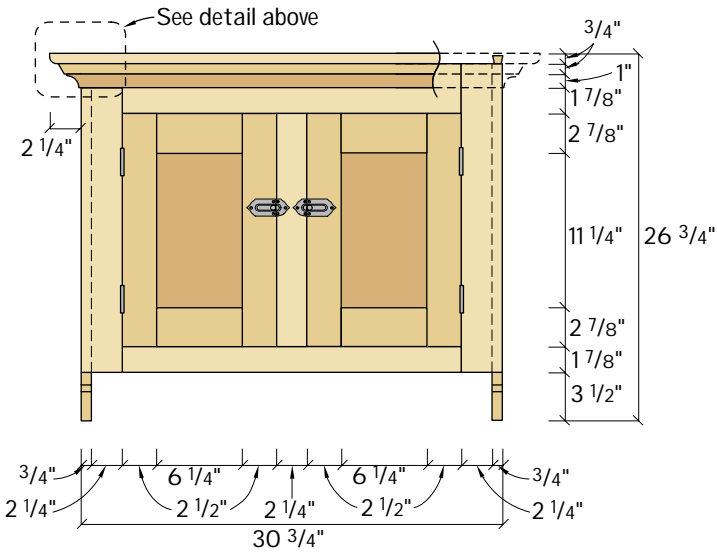
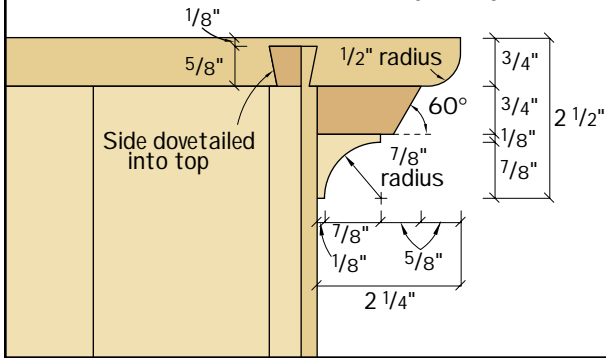


Martha's Vineyard Cupboard

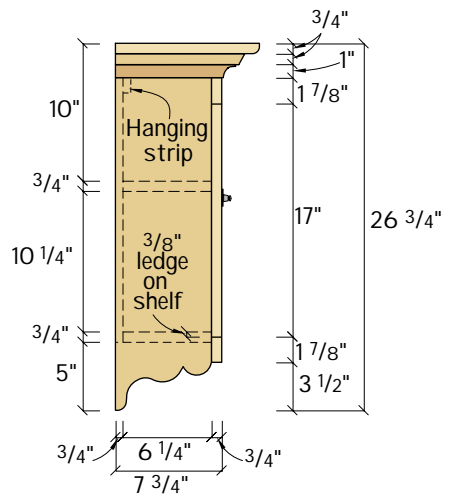
No.	Item	Dimensions T W L	Wood
1	Top	3/4" x 10 1/2" x 35 1/4"	P
2	Sides	3/4" x 7" x 26 5/8"	P
2	Shelves	3/4" x 6 1/4" x 30 1/4"	S
2	Face frame stiles	3/4" x 3" x 22 1/2"	P
1	Frame lower rail	3/4" x 1 7/8" x 26 3/4"	P
1	Frame top rail	3/4" x 3 5/8" x 26 3/4"	P
1	Frame center stile	3/4" x 2 1/4" x 19"	P
4	Dr rails	3/4" x 2 7/8" x 9"	P
4	Dr stiles	3/4" x 2 1/2" x 17"	P
2	Dr panels	1/2" x 6 7/8" x 11 7/8"	P
1	Hanging strip	3/4" x 1 3/4" x 29 1/4"	S
7	Beaded bkbrds	3/4" x 4 13/16" x 22 1/2"	S
4 1/2	Linear feet of 1" x 1" cove moulding		
4 1/2	Linear feet of 3/4" x 1 5/8" intermediate moulding		

P=primary wood: Bird's eye maple • S=secondary wood: Poplar

Detail case joinery



Elevation



Profile