



Wow! I Made It.com

## **O**utdoor Pine Occasional Table

*Small tables are always welcome in the garden or on the patio. This one is less than two feet square, so it will fit almost anywhere. Place one next to your favorite recliner, or make two of them and place side by side to create a handy coffee table.*



### **Special Tools and Techniques**

- Web clamps
- Miters

### **Materials and Supplies**

- 20 linear feet of 1 x 2 pine
- 15 linear feet of 1 x 4 pine
- 8 linear feet of 2 x 2 pine
- 2 linear feet of 2 x 4 pine

## **Hardware**

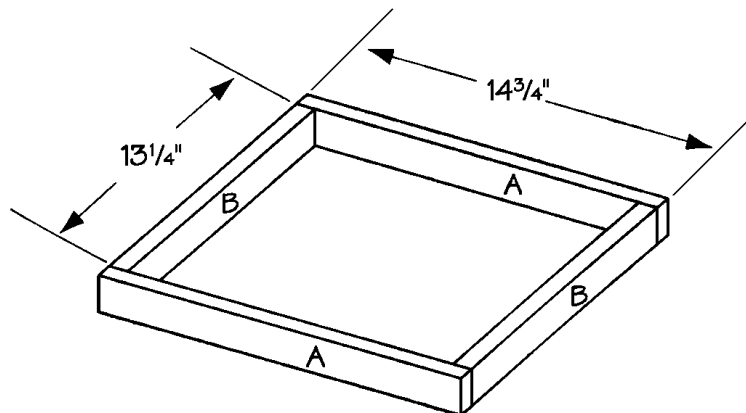
- 40 4d x 1-1/4" nails
- 15 1-1/4" screws
- 30 1-5/8" screws
- 10 2-1/2" screws
- 4 4" screws

## **Cutting List**

Code	Description	Qty.	Materials	Dimensions
A	Long Center Support	2	1 x 2 pine	14-3/4" long
B	Short Center Support	2	1 x 2 pine	13-1/4" long
C	Slat	8	1 x 2 pine	14-3/4" long
D	Trim	4	1 x 4 pine	21-3/4" long
E	Side	4	1 x 4 pine	14-3/4" long
F	Leg	4	2 x 2 pine	20" long
G	Triangular Support	4	2 x 4 pine	3-1/2" long

## ***Constructing the Table Top***

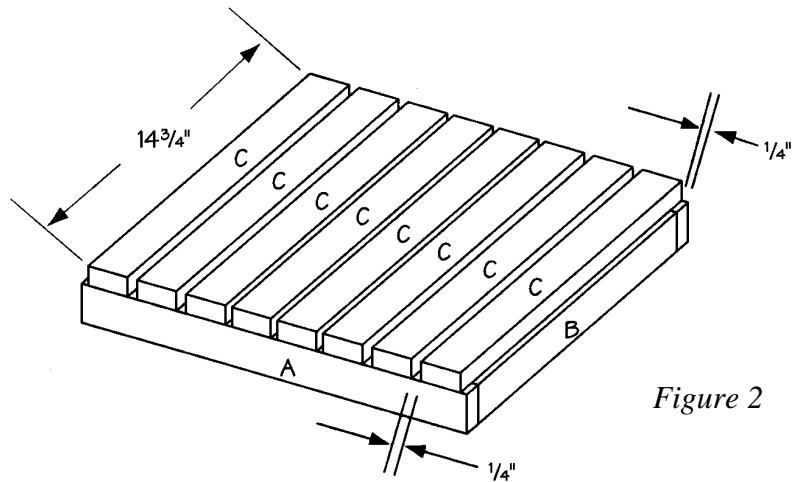
1. Cut two long center supports (A) from 1 x 2 pine, each measuring 14-3/4" long.
2. Cut two short center supports (B) from 1 x 2 pine, each measuring 13-1/4" long.



*Figure 1*

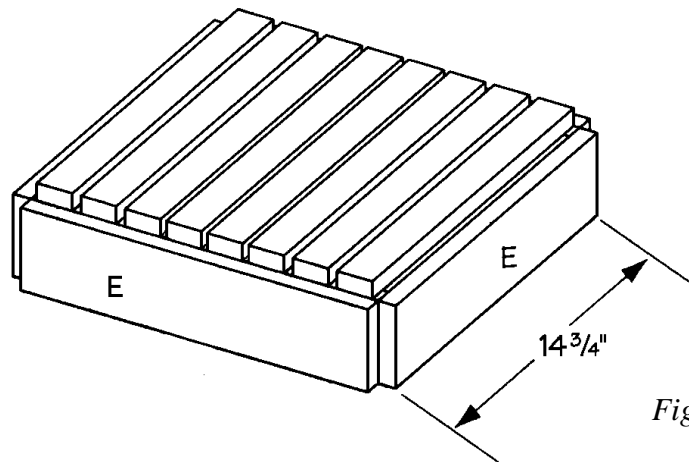
3. Place the two short center supports (B) between the ends of the long center supports (A), as shown in *Figure 1*. Screw through the long center supports (A) into the ends of the short center supports (B), using two 1-5/8"-long screws on each joint.

4. Cut eight slats (C) from 1 x 2 pine, each measuring 14-3/4" long.
5. Place the eight slats (C) over the assembled center supports, as shown in *Figure 2*. Space the slats (C) evenly across the width of the supports, leaving a little less than 1/4" between slats and the same amount on both sides, as shown in *Figure 2*. The exact measurement is not critical—just make certain that all the spaces are equal and that the slats (C) are straight. Nail through the ends of the slats (C) into the long center supports (A) using two 1-1/4"-long nails on each end.



*Figure 2*

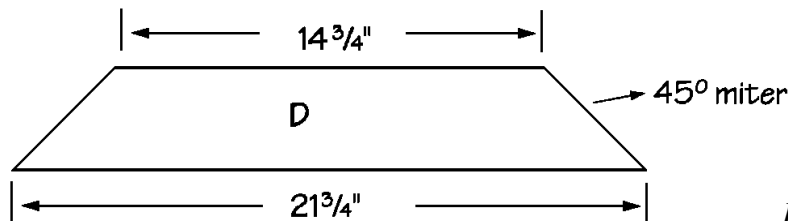
6. Cut four sides (E) from 1 x 4 pine, each measuring 14-3/4".



*Figure 3*

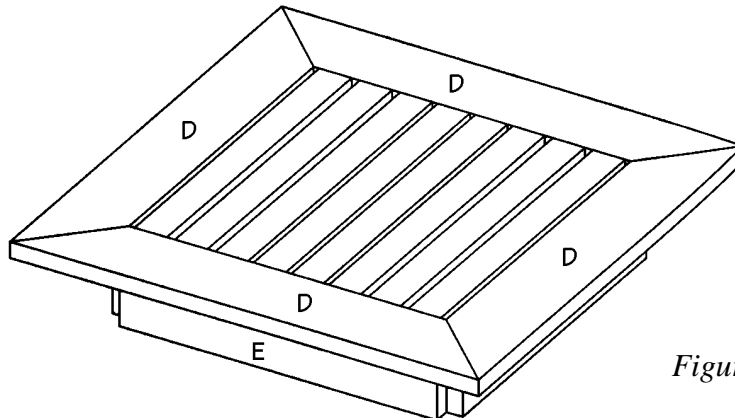
7. Attach the four sides (E) to the long and short center supports (A and B), as shown in *Figure 3*, even with the corners of the box made with the center supports in Step 3. The open corners will later accommodate the legs for the table. Apply glue to the meeting surfaces, and screw through the supports (A and B) into the four sides (E). Use three 1-1/4" screws to secure each side (E).

- The next step is to frame the slat assembly with the trim pieces (D). Cut four trims (D) from 1 x 4 pine, each measuring 21-3/4" long. Miter both ends of all four trim pieces at opposing 45-degree angles, as shown in *Figure 4*. The long edge of each trim (D) should measure 21-3/4" and the short edge should measure 14-3/4".



*Figure 4*

- Glue and clamp together the four trims (D) to form a four-sided picture frame. A web clamp is useful for this maneuver. Let the assembly dry overnight.
- Position the assembled trim frame over the sides (E) around the slat assembly, as shown in *Figure 5*. It should be placed even with the inside edges of the four sides (E). Apply glue to the meeting surfaces, and nail through each of the trims (D) into the sides (E). Use four or five 1-5/8"-long nails on each trim piece (D).



*Figure 5*

### **Adding the Legs**

- Cut four legs (F) from 2 x 2 pine, each measuring 20' long.
- Cut four triangular supports (G) at a 45-degree angle from 2 x 4 pine so that the grain runs with the long sides, as shown in *Figure 6*.
- Pre-drill a 1/2"-diameter hole to a depth of 1 inch, beginning at the center of the long side of the triangular support (G) toward the 45-degree corner, as shown in *Figure 6*.

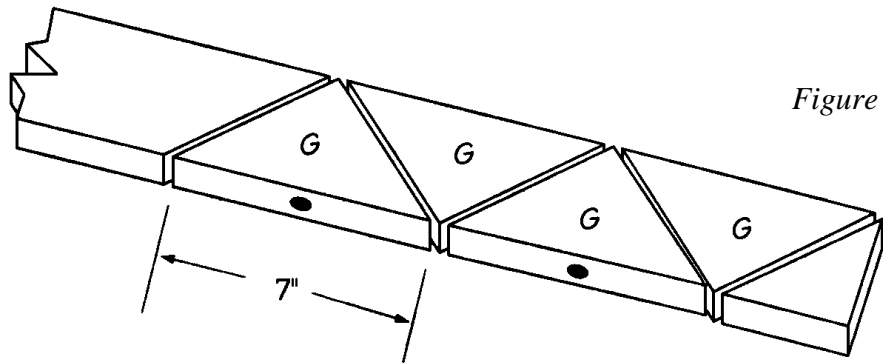


Figure 6

4. Turn the assembled top upside down on a level surface. Apply glue to the short sides of the triangular supports (G), and then place them in each of the four inside corners formed by the sides (E), on top of the top supports (A and B), as shown in *Figure 7*. Screw through the ends of the triangular supports (G) into the top supports (A and B) and the sides (E). Use two 1-5/8"-long screws on each support.
5. Position each of the four legs (F) at the corners of the assembly, between the ends of the sides (E), as shown in *Figure 7*. Make very certain that the legs are square to the assembly. Then insert a 4"-long screw into the pre-drilled hole in each triangular support (G), and screw it through the triangular support (G) and into each leg (F).

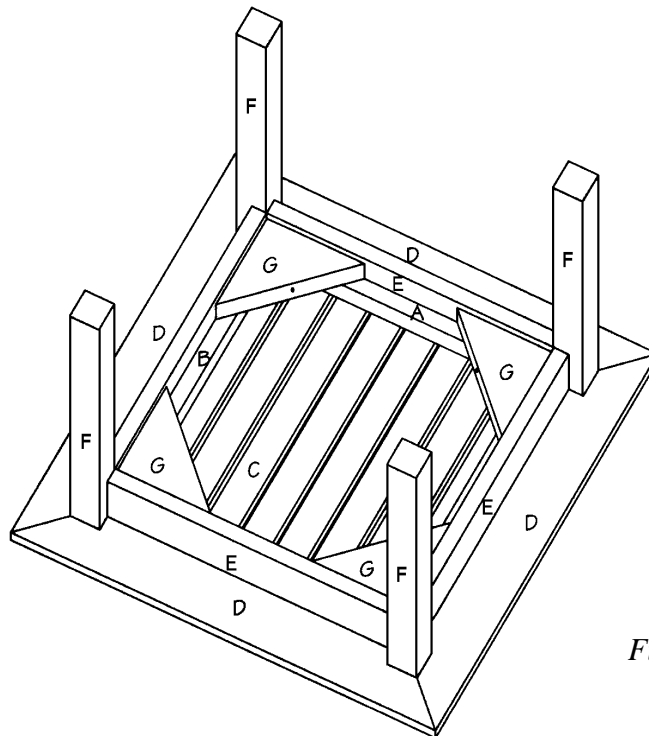


Figure 7

6. To further support the legs (F), carefully turn the entire assembly upside down. Again, check to make certain that the legs are perfectly square and straight. Then screw through each of the trim pieces (D) down into the leg (F). Use two 2-1/2"-long screws on each leg (F)—one through each trim piece (D).

### ***Finishing***

1. If you want a very finished look, fill any cracks, crevices, or screw holes with wood filler, and thoroughly sand all surfaces of the occasional table.
2. You can seal and paint or stain the completed table the color of your choice, or—if you used treated lumber—simply leave it natural, as shown in the photograph.

---

**Enjoy other indoor and outdoor projects from  
[www.wowimadeit.com](http://www.wowimadeit.com)!**

