



Wow! I Made It.com

## O outdoor Storage Center

*When you entertain outside, where do you put all the crummy-looking supplies that you use to maintain your outdoor room? Here's a simple solution: Store them behind the door of this great-looking storage shed. Your supplies will be out of sight, but close at hand.*



## **Materials**

- 12 linear feet of 2 x 4 pine
- 4' x 8' sheet of 1/2 exterior grooved plywood paneling
- 4' x 4' sheet of 1/2 exterior plywood
- 1/2 bundle of cedar shingles
- 3 linear feet of 1-1/2"-wide lath
- 7 linear feet of 2 x 2 pine

## **Hardware**

- 20, 3-1/2" wood screws
- 150, 1-1/4" (3d) finish nails
- 100 1" wire brads
- 20, 2" (6d) finish nails
- 3 exterior hinges
- 1 exterior door latch

## **Special Tools and Techniques**

- Sabre saw

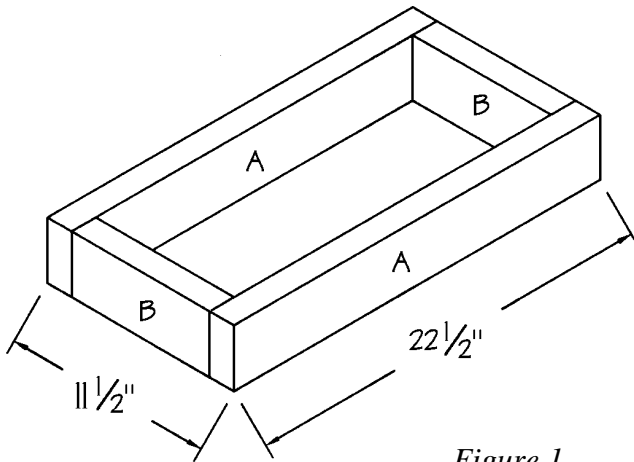
## **Cutting List**

<b>Code</b>	<b>Description</b>	<b>Qty.</b>	<b>Materials</b>	<b>Dimensions</b>
A	Long Inner Supports	4	2 x 4 pine	22-1/2" long
B	Short Inner Supports	4	2 x 4 pine	8-1/2" long
C	Front/Back	2	1/2 paneling	23-1/2" x 80"
D	Side	2	1/2 paneling	11-1/2" x 72"
E	Roof	2	1/2 plywood	13-1/2" x 17"
F	Roof Trim	2	1-1/2 lath	17" long
G	Shelf	4	1/2 plywood	11-1/2" x 22-1/2"
H	Shelf Support	9	2 x 2 pine	8-1/2" long

## **Building the Frame**

1. Cut four Long Inner Supports (A) from 2 x 4 pine, each measuring 22-1/2 inches.
2. Cut four Short Inner Supports (B) from 2 x 4 pine, each measuring 8-1/2 inches.

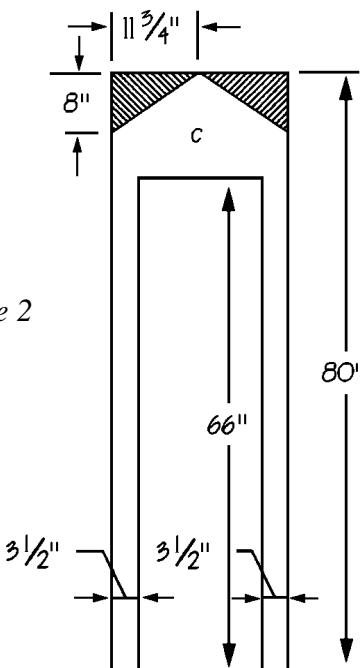
- Position two of the Short Inner Supports (B) on edge, parallel to each other and 19-1/2" apart. Place two of the Long Inner supports (A) over the ends of the Short Inner Supports (B) to form a rectangle measuring 22-1/2" x 11-1/2". Apply glue to the meeting surfaces, and screw through the Long Inner Supports (A) into the ends of the Short Inner Supports (B), using two 3-1/2" wood screws on each joint. See *Figure 1*.



*Figure 1*

- Repeat Step 3 to assemble a second rectangle. Designate one rectangle as "Top" and one as "Bottom."
- Cut two Front/Backs (C) from 1/2 inch-thick exterior grooved plywood, each measuring 23-1/2" x 80". Because you will use the grooves in the paneling as guides to create the door, place one of the paneling grooves down the exact vertical center of one Front/Back (C), and label that piece "Front."

- Using *Figure 2* as a guide cut the door portion out of the Front (C). Since our plywood paneling was grooved every 3-1/2", we simply used the grooves as a guide to cut the door. Mark the cutting lines, and use a sabre saw to cut vertically up one groove, across the top, and down the groove on the opposite side.

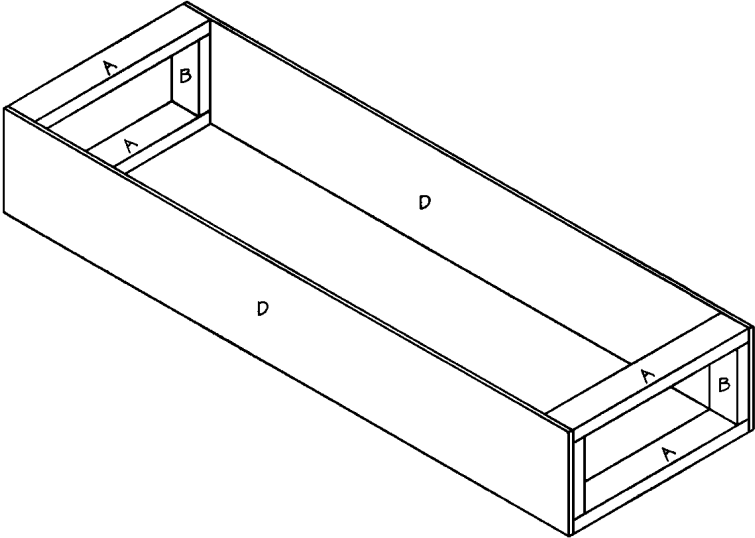


*Figure 2*

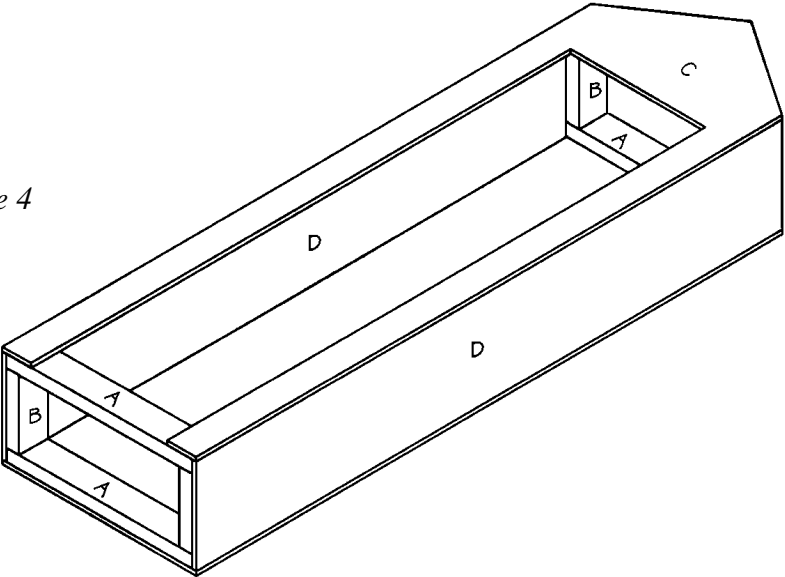
- Using *Figure 2* as a guide, trim off the top two corners of the Front/Backs (A), eliminating the shaded portions.
- Cut two Sides (D) from 1/2 inch-thick grooved plywood, each measuring 11-1/2 x 72 inches.
- Position the two assembled Top and Bottom rectangles, parallel to each other and 64 inches apart, placing the Long Inner Supports (A) against the work surface. Place the Sides (D) against the Short Inner Supports (B), as shown in *Figure 3*. Apply glue to the meeting surfaces, and nail through the Sides (D) into the Short Inner supports (B), using 1-1/4" finish nails about every 4 inches.

10. Place the Front (C) against the Long Inner Supports (A), as shown in *Figure 4*. Apply glue to the meeting surfaces, and nail through the Front (C) into the Long Inner Supports (A), using 1-1/4" finish nails spaced every 4 inches.

11. Turn the assembly over, and repeat Step 10 to attach the Back (C) to the assembly, using the same procedure you used to attach the Front (C).



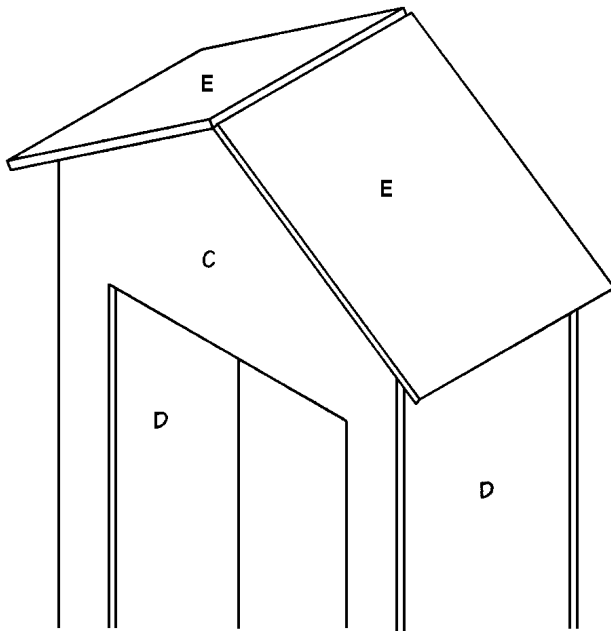
*Figure 3*



*Figure 4*

## **Adding the Roof**

1. Cut two Roofs (E) from  $\frac{1}{2}$  inch plywood, each measuring 13-1/2 x 17 inches.
2. Position the two Roofs (E) over the top of the assembly, so that they meet at the peak, as shown in *Figure 5*. Note that the Roofs (E) are flush with the Back (C) and overhang the Front (C). Do not worry about the resulting gap at the roof peak; it will be covered with shingles in the next step. Apply glue to the meeting surfaces, and nail through the Roofs (E) into the edges of the Front (C), Back (C), and Sides (D), using 1-1/4" finish nails spaced about every 3 inches.



*Figure 5*

## **Adding the Shingles**

1. Use three rows of shingles to cover each side of the roof of the storage center. On the second and third rows, trim regular-size shingles to the appropriate length, so they do not extend past the roof peak. It is better to work with the top portion of the original shingle, since it is thinner than the bottom edge. It is not difficult to shingle, and since the finished project should look somewhat rustic, this job is even easier. Begin attaching the first row of shingles with 1-inch wire brads, just overlapping the bottom edge of one Roof (D). Each shingle should be nailed twice to prevent shifting. Choose varying widths of shingles as you work. Continue the row across the bottom edge.
2. Next, add a second row overlapping the first row, about 6 inches higher. Then add a third row, overlapping the second row, again about 6 inches higher.
3. Repeat the application of shingles on the remaining Roof (D). Try to match the rows of shingles on the two Roofs (D).
4. To cover the roof peak, cut the shingles to 1-1/2" wide, and attach the resulting narrow shingles to both sides of the peak, working from the front to the back of the roof. Add three rows, trimming the shingles to length so they do not extend past the back edges of the roof.



### ***Adding the Roof Trims***

1. Cut two Roof Trims (F) from 1-1/2"-wide lath, each measuring 17 inches.
2. Refer to the photograph of the finished project to miter the ends of the trim to cover the front exposed edges of the Roofs (E). Apply glue to the meeting surfaces, and nail through the Roof Trims (F) into the edge of the Roofs (E), using 1-inch wire brads spaced about 2 inches apart.

### ***Adding the Shelves***

1. Cut four Shelves (G) from 1/2-inch plywood, each measuring 11-1/2 x 22-1/2 inches.
2. Fit one Shelf (G) over the Bottom rectangle inside the storage center. Apply glue to the meeting surfaces and nail through the Shelf (G) into the Long and Short Inner supports (A and B), using 1-1/4" finish nail spaced about every 4 inches.
3. Cut nine Shelf supports (H), each measuring 8-1/2 inches. These will be attached to the Sides (D), Front (C), and Back (C) to support the three upper shelves. The exact positioning of the three additional shelves is a matter of personal preference. We installed the lower of these shelves 12 inches above the bottom shelf, the next one 12 inches above that shelf, and the top shelf 18 inches above the middle shelf.

4. When you have decided on the placement of the shelves, mark the position on each shelf on the Back (C) and the Sides (D). Next, install three Shelf supports (H) for each shelf: one in the center of the Back (C) and one in the center of each Side (D). Make certain that the Shelf supports (H) are perfectly level, or your contents will end up in a heap on one side of the shelf. Apply glue to the meeting surfaces, and nail through the Shelf support (H) into the Back (C) or Side (D), using two 2-inch finish nails on each Shelf support (H). Do not countersink the nail, or it will show up on the outside of the storage center.
5. Install the Shelves (G) on the top of the Shelf Supports (H).

## ***Finishing***



1. Install the door, using three exterior hinges.
2. Install the door latch.
3. Very little sanding is required on this project, as the paneling is supposed to keep its rustic look. Simply remove any obvious splinters or rough edges.
4. You can either paint or stain the storage center the color of your choice, or leave it natural. Here, the storage center has been painted light blue and the room painted black.

Enjoy other terrific indoor and outdoor projects from [www.wowimadeit.com](http://www.wowimadeit.com) !



When your friends and neighbors see your terrific backyard, they'll want to know where you got such customized outdoor furniture! Even if they're not experienced woodworkers, they'll find an easy project to get them hooked at [www.wowimadeit.com](http://www.wowimadeit.com) .