



Planter Bench

Plan No. 878

Copyright U-Build, Inc., 1998.
All rights reserved. Printed in the U.S.A.

This simple and elegant planter bench project is ideal for the porch, patio or pool. Filled with plants and flowers, it will define a corner of the porch or patio with style.

Featuring all straight cuts and modular construction, the project allows the builder to decide what combination of planter boxes and connecting benches works best for their own space. Bills of material are included for individual boxes and benches, as well as for the combination pictured.

The planter bench as pictured is built from redwood for its beauty, strength and durability, although other woods can be substituted if properly treated. The finished planter boxes measure about 20.5 inches square by 17 inches tall, and the benches measure 36 inches long by 15 inches wide.

Bill of Material

Materials for 3 planter boxes and 2 benches

Quantity	Size	Material	Item
1	3/4" x 4' x 8'	Exterior Plywood	A
2	1 1/2" x 1 1/2" x 8'	Redwood	B
15	5/8" x 3 5/8" x 12'	Redwood S4S*	C, D, E, F, G, H, I
1	Small Box	1" Finish Nails	
1	Small Box	2" Finish Nails	
1	Small Bottle	Wood Glue	
1	Quart	Finish	

*S4S (surface four sides) material is milled smooth and is usually 5/8" thick.

Cutting Schedule

Material for 1 box*

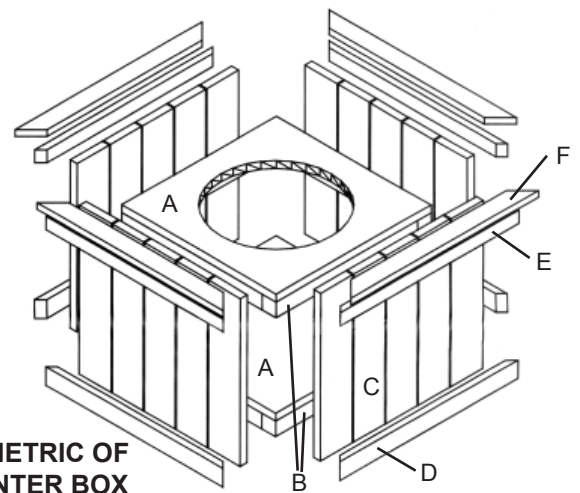
Part	Qty	T	W	L	Material
A	2	3/4"	16 7/8"	16 7/8"	Plywood
B	8	1 1/2"	1 1/2"	15 3/8"	Redwood 2x2
C	20	5/8"	3 3/8"	16"	Redwood 1 x4 S4S**
D	4	5/8"	1 3/4"	19 3/8"	Redwood 1 x4 S4S**
E	4	5/8"	1 1/4"	19 3/8"	Redwood 1 x4 S4S**
F	4	5/8"	1 3/4"	20 3/8"	Redwood 1 x4 S4S**

Material for 1 bench*

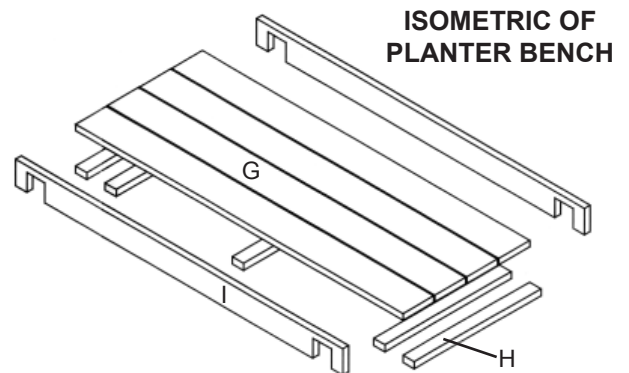
G	4	5/8"	3 3/8"	36"	Redwood 1 x4 S4S**
H	5	5/8"	1 1/4"	13 7/8"	Redwood 1 x4 S4S**
I	2	5/8"	2 1/2"	36"	Redwood 1 x4 S4S**

*The planter bench as pictured has 3 boxes and 2 benches.

**S4S (surface four sides) material is milled smooth and is usually 5/8" thick.



ISOMETRIC OF
PLANTER BOX



ISOMETRIC OF
PLANTER BENCH

Assembly Instructions

Read all instructions before beginning any work. Cut all material to sizes shown in cutting schedule.

1. Glue and nail with 2" finish nails boards B to plywood A. Make two units with a hole cut in the top unit for a planter pot (see illustration 1).
2. Glue and nail with 1" finish nails boards C to plywood frames. Lay boards out before nailing to achieve equal spacing (see illustration 2). Check for squareness.

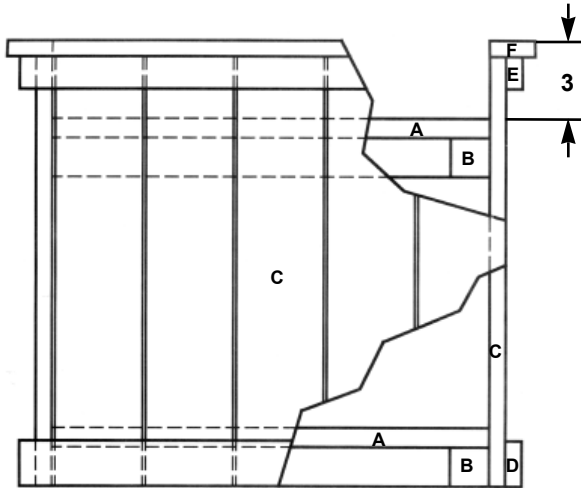


Illustration 2

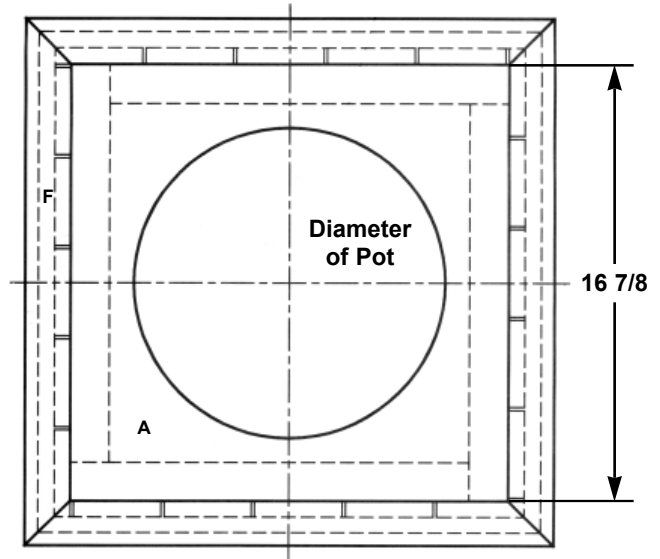


Illustration 1

3. Glue and finish nail with 1" finish nails boards D, E and F as shown in illustration 1 and 2.

4. Glue and finish nail with 1" finish nails boards H to seat slats G. Space seat slats as shown in illustration 1. Lay boards out before nailing to achieve equal spacing (see illustration 3). Check for squareness.
5. Attach boards I to front and back of bench with 1" finish nails and glue. Use sufficient glue and nails, as these are the boards that give the bench strength. Sand and apply finish.

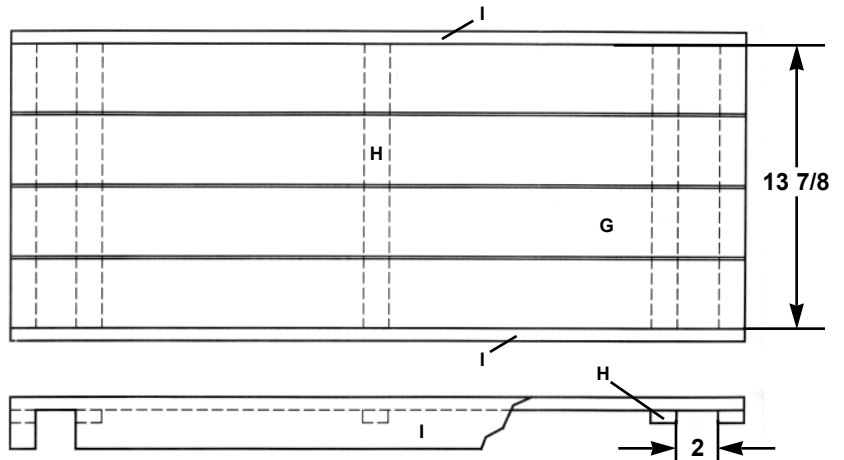


Illustration 3

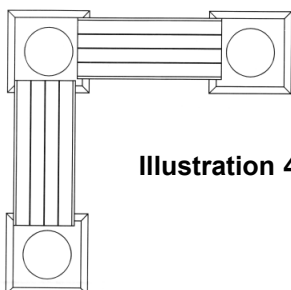


Illustration 4

6. Sand and apply finish to assembled planter boxes and benches. Assemble boxes and benches as shown in illustration 4.