



Wow! I Made It.com

Privacy Screen

No matter where you live, it seems outdoor privacy is always needed. This screen is portable enough to be moved occasionally but sturdy enough to avoid blowing over. Use it to define an outdoor living space or to screen out an undesirable view.



Materials and Supplies

- 65 linear feet of 2 x 4 pine
- 120 linear feet of 1 x 1 pine
- 4' x 8' sheet of privacy lattice

Hardware

- 350, 1-1/4" long 3d finish nails
- 35, 3"-long wood screws
- 9, 3" hinges

Cutting List

Code	Description	Qty.	Materials	Dimensions
A	Long Side	8	2 x 4 pine	75" long
B	Short Side	8	2 x 4 pine	12" long
C	Long Trim	16	1 x 1 pine	72" long
D	Short Trim	16	1 x 1 pine	10-1/2" long
E	Lattice Inserts	4	Privacy lattice	12" x 72"

Building the Frames

1. Cut eight Long Sides (A) from 2 x 4 pine, each measuring 75 inches.
2. Cut eight Short Sides (B) from 2 x 4 pine, each measuring 12 inches.
3. Place two of the Short Sides (B) on edge parallel to each other and 72" apart. Place the Long Sides (A) over the ends of the Short Sides (B) as shown in *Figure 1*. Apply glue to the meeting surfaces and screw through the Long Sides (A) into the ends of the Short Sides (B) using two 3"-long wood screws on each joint.
4. Repeat Step 3 to build three more frames.

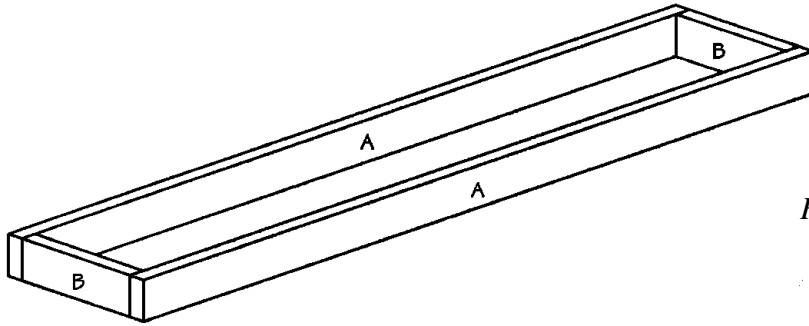


Figure 1

Adding the Lattice

1. Cut sixteen Long Trims (C) from 1 x 1 pine, each measuring 72 inches.
2. Cut sixteen Short Trims (D) from 1 x 1 pine, each measuring 10-1/2 inches.
3. Attach one of the Long Trims (C) to the inside of one Long Side (A) $\frac{3}{4}$ " from the edge, as shown in *Figure 2*. Apply glue to the meeting surfaces, nail through the Long Trims (C) into the face of the Long Side (A) using 1-1/4 inch finishing nails every 4 inches.

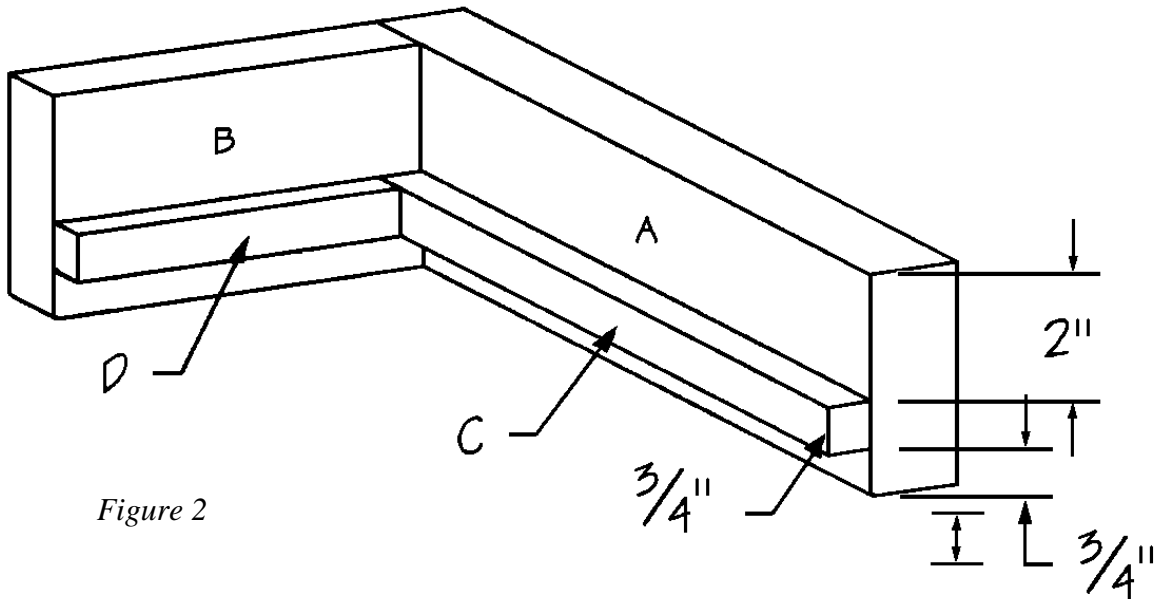
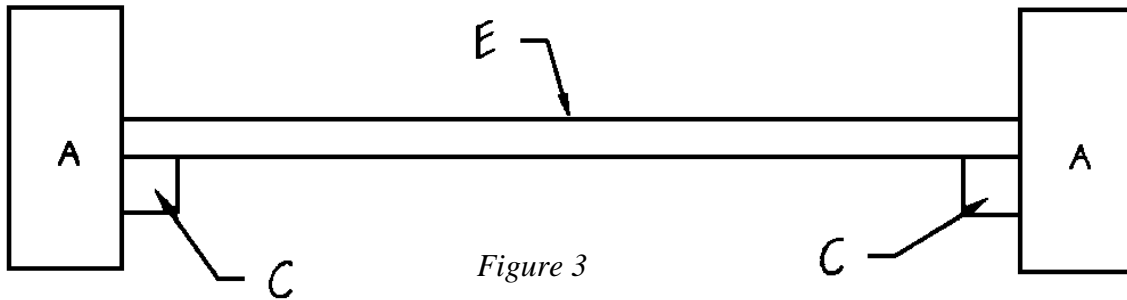


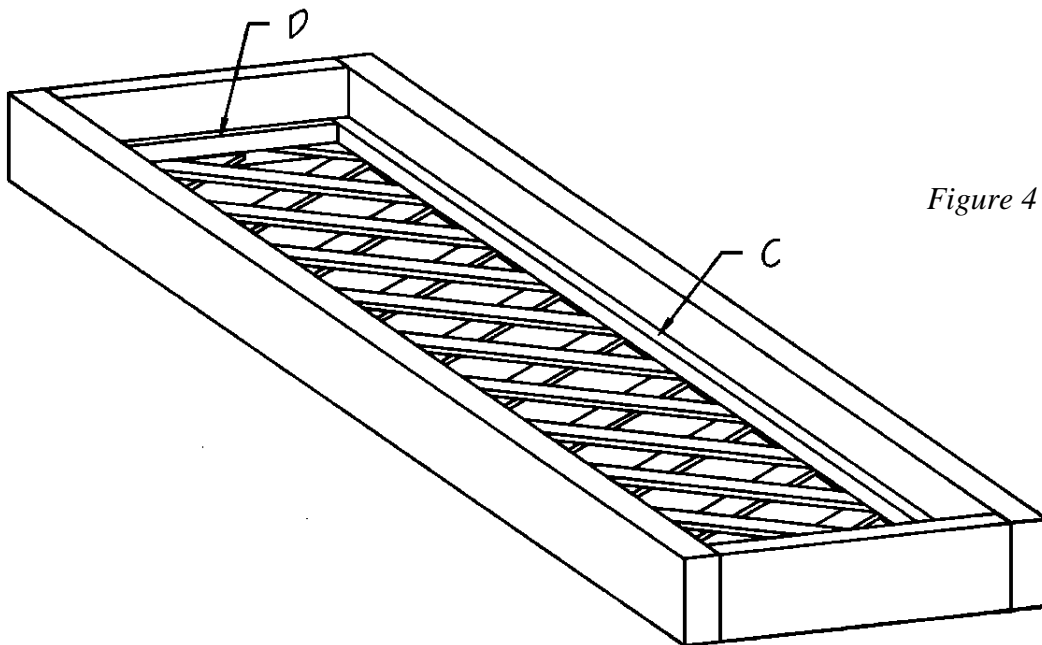
Figure 2

4. Repeat Step 3 for the remaining Long Sides (A)
5. Attach one of the Short Trims (D) to the inside of the Short Side (B), again $\frac{3}{4}$ " in from the edge. Apply glue to the meeting surfaces, and nail through the trim into the face of the Short Side (B) using 1-1/4" finishing nails every 4 inches.

6. Repeat Step 5 for the remaining Short Sides (B)
7. Cut four lattice inserts (E) from a 4 x 8 sheet of privacy lattice, each measuring 12" x 72".
8. Place the lattice (E) inside the assembled frames on top of the Long and Short Trims (C and D) as shown in *Figure 3*.



9. Repeat Steps 3 through 5 to add two Short Trims (D) and two Long Trims (C) on the opposite side of the lattice insert (E) as shown in *Figure 4*, then assembly three more screen sections.



Finishing

1. We used three hinges between each of the main panels. Remember when attaching the hinges to alternate them so the screen will fold properly. The hinge peg faces the back of the screen between the two middle panels, and faces the front of the screen on the outer panels.
2. Fill any screw or nail holes with wood filler.
3. Sand the screen thoroughly.
4. Paint or stain the screen the color of your choice, or leave natural.



Enjoy other terrific indoor and outdoor projects from www.wowimadeit.com!



Your neighbors will love your comfortable backyard and want to try some projects for themselves. Even if they've never tried woodworking, they'll find a simple project that will get them hooked at www.wowimadeit.com .