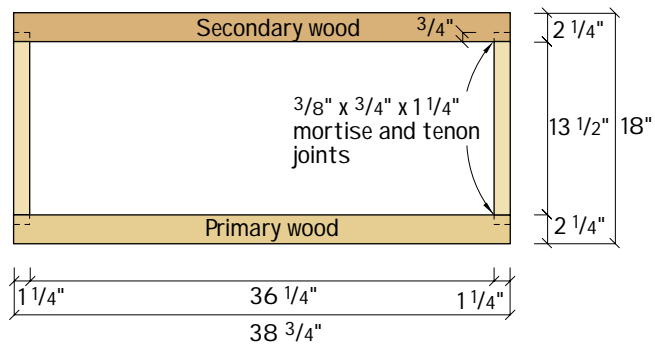
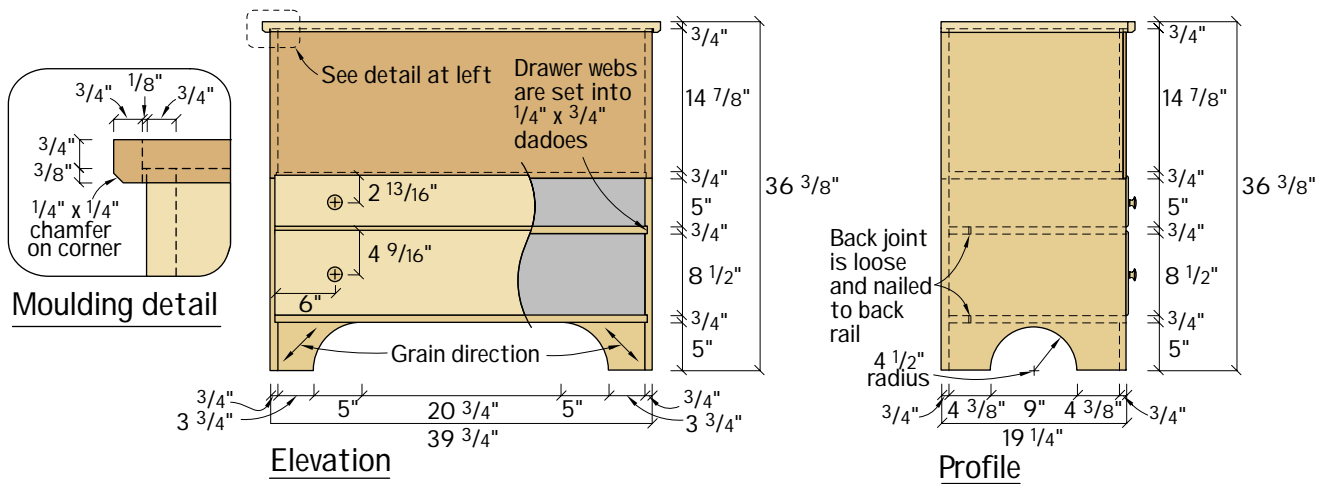


Plan detail of hinge buildup

Schedule of Materials: Shaker Blanket Chest

No.	Item	Dimensions T W L	Material
2	Sides	3/4" x 19 1/4" x 35 5/8"	P
1	Front	3/4" x 16" x 39 3/4"	P
1	Back	3/4" x 16" x 39 1/8"	P
1	Bottom	3/4" x 18 1/8" x 38 3/4"	S
1	Top	3/4" x 19 3/8" x 40"	P
4	Drawer dividers	3/4" x 2 1/4" x 38 3/4"	P/S
4	Drawer runners*	3/4" x 1 1/4" x 15 3/8"	S
2	Rear feet	3/4" x 5" x 5"	S
2	Front feet	3/4" x 6 1/2" x 14 1/2"	P
2	Build-up blocks	3/4" x 2 1/2" x 4"	P
1	Small drwr front †	13/16" x 5 5/16" x 38 7/8"	P
1	Large drwr front †	13/16" x 8 13/16" x 38 7/8"	P
1	Small drwr back	9/16" x 4 7/8" x 38 1/4"	S
1	Large drwr back	9/16" x 8 3/8" x 38 1/4"	S
2	Small drwr sides	9/16" x 4 7/8" x 17"	S
2	Large drwr sides	9/16" x 8 3/8" x 17"	S
2	Drawer bottoms	5/8" x 17 1/4" x 37 1/2"	S
	Back boards ‡	5/8" x 15" x 39 1/8"	S
6	lineal feet of 5/8" x 1 1/16" bevel edged top moulding		
1	Pair, 8" strap hinges, #HF-9, Horton Brass 800-754-9127		
1	Box lock, #TJI-062, Ball and Ball 800-257-3711		
4	1 1/2" diameter wooden knobs		

* 3/4" tenon on both ends
 † 5/16" lip side and top, 1/8" bottom
 ‡ Size given is size of complete, half-lapped back



Plan of drawer web frame