



Wow! I Made It.com

## Tiled Lamp

*This project was made as a present for my neighbor Patti, who needed a lamp for her kitchen desk but who couldn't find an attractive one that was short enough to fit under her cabinets. Because Patti had several kitchen tiles left over from a decorating project, we decided to use them on the lamp.*



## **Special Techniques**

- Beveling

## **Materials and supplies**

- 4 linear feet of 1 x 6 pine
- 2 linear feet of 1 x 8 pine
- 1 small tube of paneling and construction adhesive (Liquid Nails)
- 8 ceramic tiles, each 4" x 4"
- 1 lamp shade
- 4 small felt or plastic pads for the bottom of the lamp base

## **Hardware**

- Approximately 10 3d finishing nails
- Approximately 40 wire brads
- Lamp Kit (see "Notes on Materials")

## **Cutting List**

Code	Description	Qty.	Material	Dimensions
A	Side	4	1 x 6 pine	9-1/2" long
B	Top/Bottom	2	1 x 8 pine	7-1/4" long

## **Notes on Materials**

Lamp kits, consisting of all the hardware necessary to wire a lamp, are carried by most building-supply stores. Purchase the shade, which is not included with the kit, after your project is finished. When you shop for the shade, take the completed project with you and try several different shades while you're at the store.

## **Constructing the Base**

1. The lamp base has four identical 9-1/2"-long sides (A), which are cut from a single length of beveled 1 x 6 pine. To make the sides, first cut a 40" length of 1 x 6 and bevel both its long edges at a 45-degree angle, as shown in *Figure 1*.
2. Cut four 9-1/2"-long sides (A) from the beveled 1 x 6.
3. Glue together the beveled edges of the four sides (A) to form a hollow rectangle measuring 5-1/2" x 9-1/2", as shown in *Figure 2*. Secure the four sides by driving four wire brads through the beveled edges along each side of each joint.

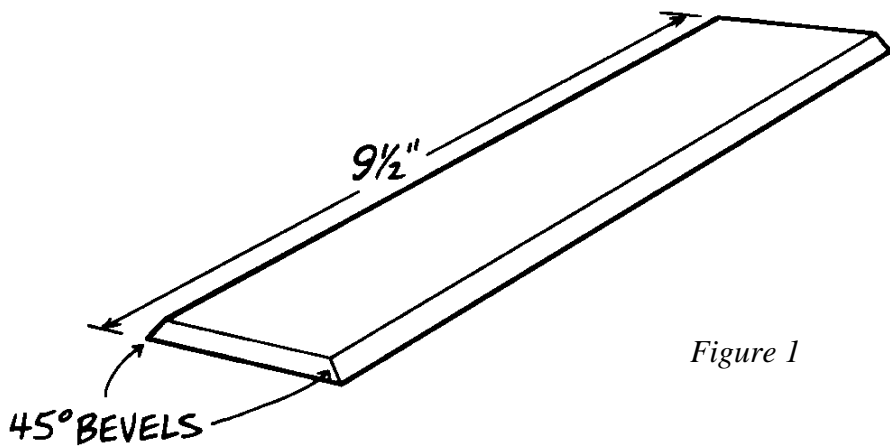


Figure 1

4. Cut two top/bottom pieces (B) from 1 x 8 pine, each 7-1/4" long.
5. Center one top/bottom piece (B) over one open end of the hollow rectangular base and glue it in place. Insert one 3d finishing nail through the top/bottom and into the end of each side (A).
6. Repeat Step 5 to attach the other top/bottom piece (B) to the other end of the hollow rectangular base.
7. Fill any holes or crevices with wood filler, sand the lamp base thoroughly, and paint or stain as desired.

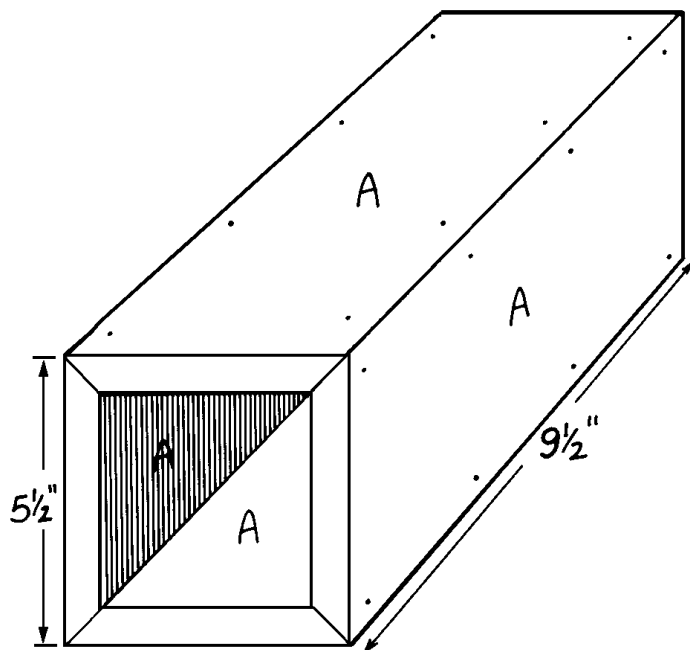


Figure 2

8. To wire the lamp, follow the manufacturer's directions in your lamp kit. The kit will contain a threaded hollow pipe that you'll guide through holes (you'll need to drill these) in each top/bottom piece (B). Next, you'll secure the tube in place with nuts. Then you'll thread the lamp wire, with a plug at one end, through the pipe and connect it to a switch. The kit will also include spacers so that you can adjust the kit to the size of your lamp base.

## ***Laying the Tiles***

1. After the base is assembled and the wiring is in place, use paneling-and-construction adhesive to glue two ceramic tiles in place on one side (A).
2. Allow the adhesive to set up for about an hour. (You'll know the glue has set when you're unable to move the tiles with your hands.) Then repeat Step 1 three times to attach the remaining six tiles to the remaining three sides (A).
3. To raise the completed lamp from the desk surface and provide clearance for the electrical cord running from beneath the base, affix small felt or clear plastic pads to all four corners of the bottom (B) of the lamp.