



Wow! I Made It.com

Trellis and Fountain

Ah, the sound of water on a summer's day seems to cool everything down while also soothing the soul. The combination of trellis and fountain is an easy way to add a water feature to your outdoor living area without huge expense. Choose a statuary that fits in your garden and build the trellis yourself.



Materials

- 26 linear feet of 4 x 4 pine
- 17 linear feet of 2 x 2 pine
- 18 linear feet of 1 x 4 pine
- 4' x 8' sheet of privacy lattice
- 6 linear feet of 2 x 4 pine

Hardware

- 50, 2-1/2" wood screws
- 20, 1-5/8" wood screws
- 30, 1" wire brads
- 2, 5" lag screws
- Fountain statuary piece*
- Fountain pump
- Plastic hose (sized to connect the statuary piece to the pump)
- Galvanized bucket, approximately 3' x 4' x 2'

Special Tools and Techniques

- Miter

***Notes on Materials**

This trellis will work with any statuary fountain piece. Most lawn and garden stores sell a variety of designs. Or you can convert a wall plaque into a fountain piece by drilling a hold through the plaque to accommodate the plastic pump hose. Be sure to purchase a pump large enough to pump the water from the tank up the height of your fountain piece. Check the pump manufacturer's specifications to be sure.

Cutting List

Code	Description	Qty.	Materials	Dimensions
A	Side	2	4 x 4 pine	120" long
B	Side Supports	2	2 x 2 pine	96" long
C	Connectors	4	1 x 4 pine	48" line
D	Trellis	1	Lattice	4' x 8' sheet
E	Top	2	2 x 4 pine	26" long

F	Ledge	1	4 x 4 pine	55" long
---	-------	---	------------	----------

Building the Frame

1. Cut two Sides (A) from 4 x 4 pine, each measuring 120 inches.
2. Cut two Side Supports (B) from 2 x 2 pine, each measuring 96 inches.
3. Position one Side support (B) flush with one edge of one Side (A) as shown in *Figure 1*. Note that the Side (A) is 4 inches from one end of the Side Support (B), and extends past the Side Support (B) 20 inches on the opposite end. Apply glue to the meeting surfaces, and screw through the Side Support (B) into the Side (A), using 2-1/2" long nails spaced every 5 inches.

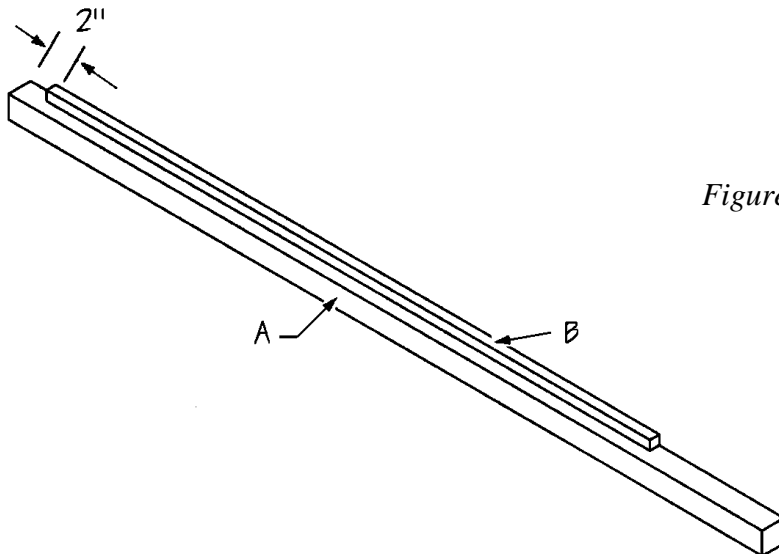


Figure 1

4. Repeat Step 3 to assemble a mirror image, using the remaining Side (A) and Side Support (B).
5. Cut four Connectors (C) from 1 x 4 pine, each measuring 48 inches.
6. Position the side assemblies on a level surface, 45 inches apart and parallel to each other, with the side Supports (B) facing each other.
7. Place one Connector (C) over the Side supports (B), flush with the upper ends of the topmost Side Support (B), as shown in *Figure 2*. Apply glue to the meeting surfaces, and screw through the Connector (C) into the side Supports (B), using two 1-5/8" wood screws on each joint.

- Repeat Step 7 three times to attach the remaining Connectors (C), one flush with the lower end of the Side Supports (B), and the two remaining Connectors (C) in the center of the assembly, 27-3/8" apart.

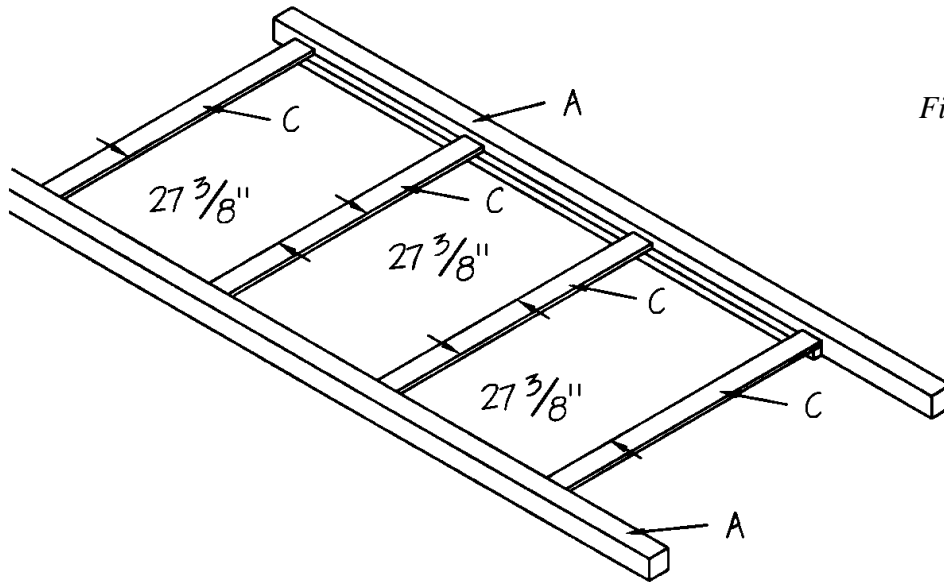


Figure 2

Adding the Lattice, Top, and Ledge

- Place the 4' x 8' Trellis (D) on top of the four Connectors (C), as shown in *Figure 3*. Nail through the Trellis (D) into the three connectors, using 1-inch wire brads spaced every 4 inches.
- Cut two Tops (E) from 2 x 4 pine, each measuring 26 inches.
- Position the Tops (E) on edge, and miter both ends of the Tops (E) at a 23-degree angle, as shown in *Figure 4*.
- Place the two Tops (E) on a flat work surface with the mitered ends together. Apply glue to the meeting surfaces and screw through each of the Tops (E) into the opposing Top (E) into the opposing Top (E), using 2-1/2" finishing nails on each side.
- Using *Figure 3* as a guide, position the top assembly on top of the Trellis (D). Apply glue to the meeting surfaces, and screw through the ends of the Tops into the sides (A), using two 2-1/2" wood screws on each joint.
- Cut one Ledge (F) from 4 x 4 pine, measuring 55 inches.
- The Ledge (F) will be attached to the Sides (A) with two 5-inch lag screws. Pre-drill holes on each end of the Ledge (F) to accommodate the screws. Then screw through the Ledge (F) into the sides (A).

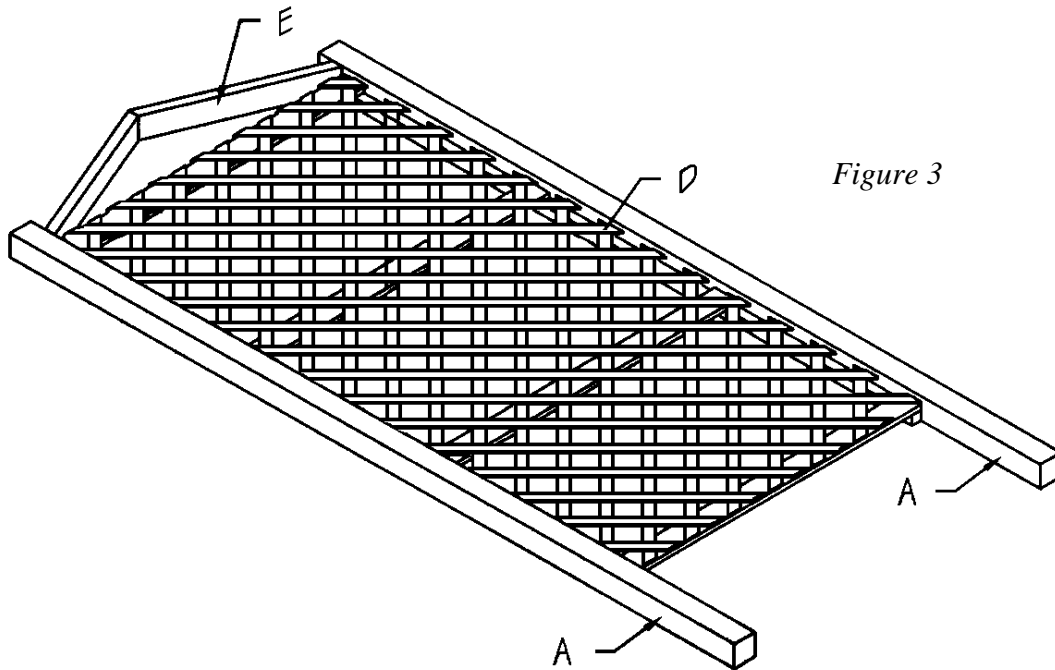


Figure 3

8. Center the fountain piece on top of the ledge, and secure the top of the fountain piece to one of the four Connectors (C). If the Connector (C) is not in the proper position for the height of your particular fountain piece, secure it to a shorter scrap of board placed on the opposite side of the trellis.

Finishing



1. Place the galvanized bucket on the ground beneath the fountain, then position the pump inside the bucket. Attach the plastic hose to the fountain piece. Guide the plastic hose down the back of the Trellis (D), and then back through the Trellis (D) to the front of the trellis behind the galvanized bucket.
2. Set the completed trellis in the desired outdoor location, taking care to stabilize the structure against strong winds. We placed our trellis in a corner of

the yard and secured it to both sides of the fence.

3. Set the galvanized bucket at the bottom center of the trellis and fill it with water. Then connect the free end of the plastic hose to the pump.

Enjoy other terrific indoor and outdoor projects from www.wowimadeit.com !



Your neighbors will love your comfortable backyard and want to try some projects for themselves. Even if they've never tried woodworking, they'll find a simple project that will get them hooked at www.wowimadeit.com .