



Wow! I Made It.com

Wall Table

This suspended table is a nice addition to a neglected area in an entryway. It takes up no floor space, is only about 9 inches deep, and makes a perfect surface for a small plant and a few odd decorative items.



Materials List

- 11 linear feet of 1 x 8 pine
- 5 linear feet of 1 x 4 pine
- 3 linear feet of 1 x 2 pine*

Hardware

- 35, 1-1/2" 4d finishing nails
- 12, 1-1/2" wood screws

***Notes on Materials:**

Because the 1 x 2 pine will be used as the inner support for the table, you may substitute any scrap wood for this piece, as long as it is approximately 30 inches.

Cutting List

Code	Description	Qty	Material	Dimensions
A	Top and Bottom	2	1 x 8 pine	36" long
B	Front	1	1 x 8 pine	36" long
C	Sides	2	1 x 8 pine	7-1/4" long
D	Triangular Trim	8	1 x 4 pine	6-1/4" x 4-7/8" x 4-7/8"
E	Support	1	1 x 2 pine	30" long

Constructing the Table

1. Cut two top and bottom (A) from 1 x 8 pine, each measuring 36 inches.
2. Cut one Front (B) from 1 x 8 pine, measuring 36 inches.
3. Place the top and bottom (A and B) on a level surface, parallel to each other and 5-1/2 inches apart.
4. Apply glue to the top edges of the Top/Bottom (A). Place the Front (B) over the top edges of the Top/Bottom (A), as shown in *Figure 1*. Nail through the Front (B) into the edges of the Top/ Bottom (A), using 1-1/2" finishing nails spaced 5 inches apart.
5. Cut two Sides (C) from 1 x 8 pine, each measuring 7-1/4 inches.
6. Apply glue on the meeting surfaces, and attach one Side (C) to the one open end of the assembly, as shown in *Figure 2*. Nail through the Side (C) into the edges of the Top/Bottoms (A) and Front (B), using two 1-1/2" nails on each joint.
7. Repeat Step 6 to attach the remaining Side (C) to the other open end of the assembly.

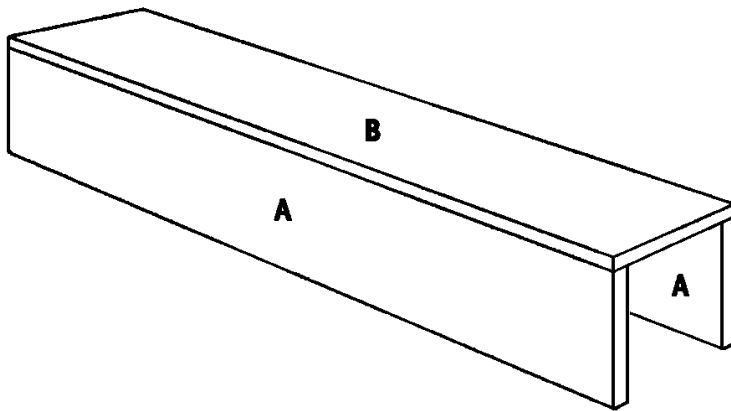


Figure 1

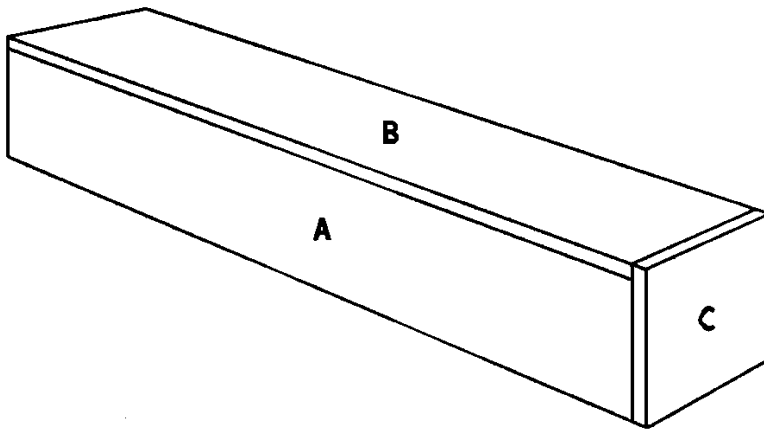


Figure 2

Adding the Triangular Trim

1. Cut eight Triangular Trims (D) from 1 x 8 pine, each measuring 6-1/4 x 4-7/8 x 4-7/8 inches.
2. Sand all edges of each of the Triangular Trims (D).
3. Place the table assembly Front Side up on a level surface. Place six evenly spaced Triangular Trims (D) across the Front (B), even with the top edge of the table, as shown in *Figure 3*. After sanding, you will have minuscule spaces between the Triangular Trims (D).
4. Apply glue on the meeting surfaces, and attach the six Triangular Trims (D) to the Front (B), using two 1-1/2" nails. Nail through the Triangular Trims (D) into the Front (B).
5. Center one Triangular Trim (D) on the top edge of one Side (C).
6. Apply glue on the meeting surfaces, and attach the Triangular Trim (D) to the Side (C), using two 1-1/2" nails. Nail through the Triangular Trim (D) into the Front (B).

7. Repeat Steps 5 and 6 to attach the remaining Triangular Trim (D) to the opposite Side (C).

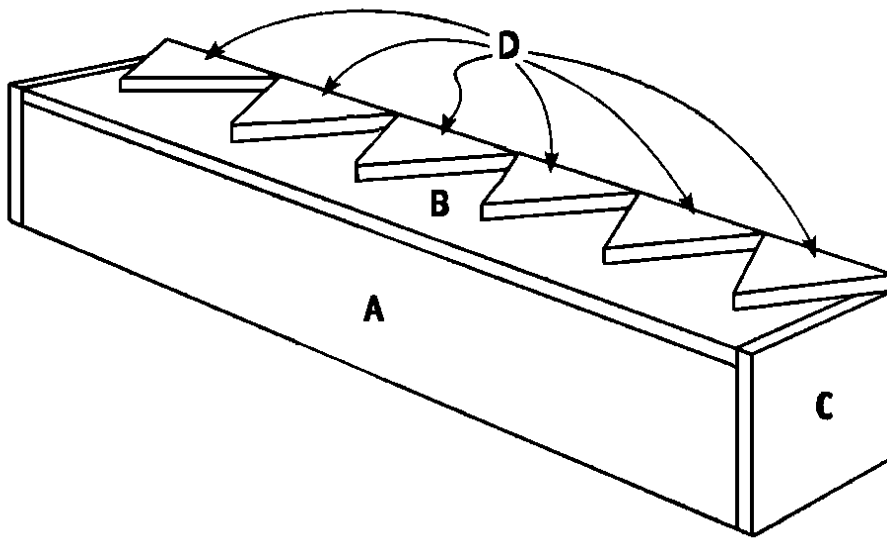


Figure 3

Finishing

1. Fill any nail holes or imperfections in the wood with wood filler.
2. Thoroughly sand all parts of the table.
3. Stain or paint the finished table the color(s) of your choice. We chose a mauve paint for the top and Triangular Trims, and a pale green for the remaining portions of the table.



Attaching the Table to the Wall

1. Cut one Support (E) from 1 x 2 pine, measuring 30 inches long (or substitute other material that is approximately the same length).
2. Attach the Support (E) to the wall, 3/4-inch lower than you want your table height to be, and centered horizontally where your table will hang. Given the length of

the Support (E), you should be able to locate at least one stud. If your walls are plaster or concrete, you will need to substitute special screws designed for that purpose.

3. It is helpful to have an assistant to mount the table. Position the table over the Support (E), making sure that it is in the correct horizontal position. Have your helper hold the table in place while you screw through the top of the table into the Support (E). Use three or four 1-1/2-inch-long screws spaced evenly across the top. Counter-sink the screws.
4. Fill the screw holes with wood filler, and use touch-up paint or stain to cover the filled holes.

Enjoy other terrific indoor and outdoor projects from
www.wowimadeit.com



Your neighbors will love to visit your comfortable back yard with projects from www.wowimadeit.com. Try something from our vast array of outdoor projects!