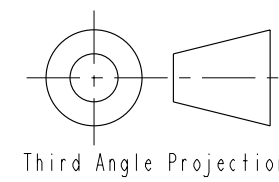


3D VIEW OF COMPLETE TRAILER FOR REFERENCE
SCALE 0.125



Third Angle Projection

C

4x8 UTILITY TRAILER

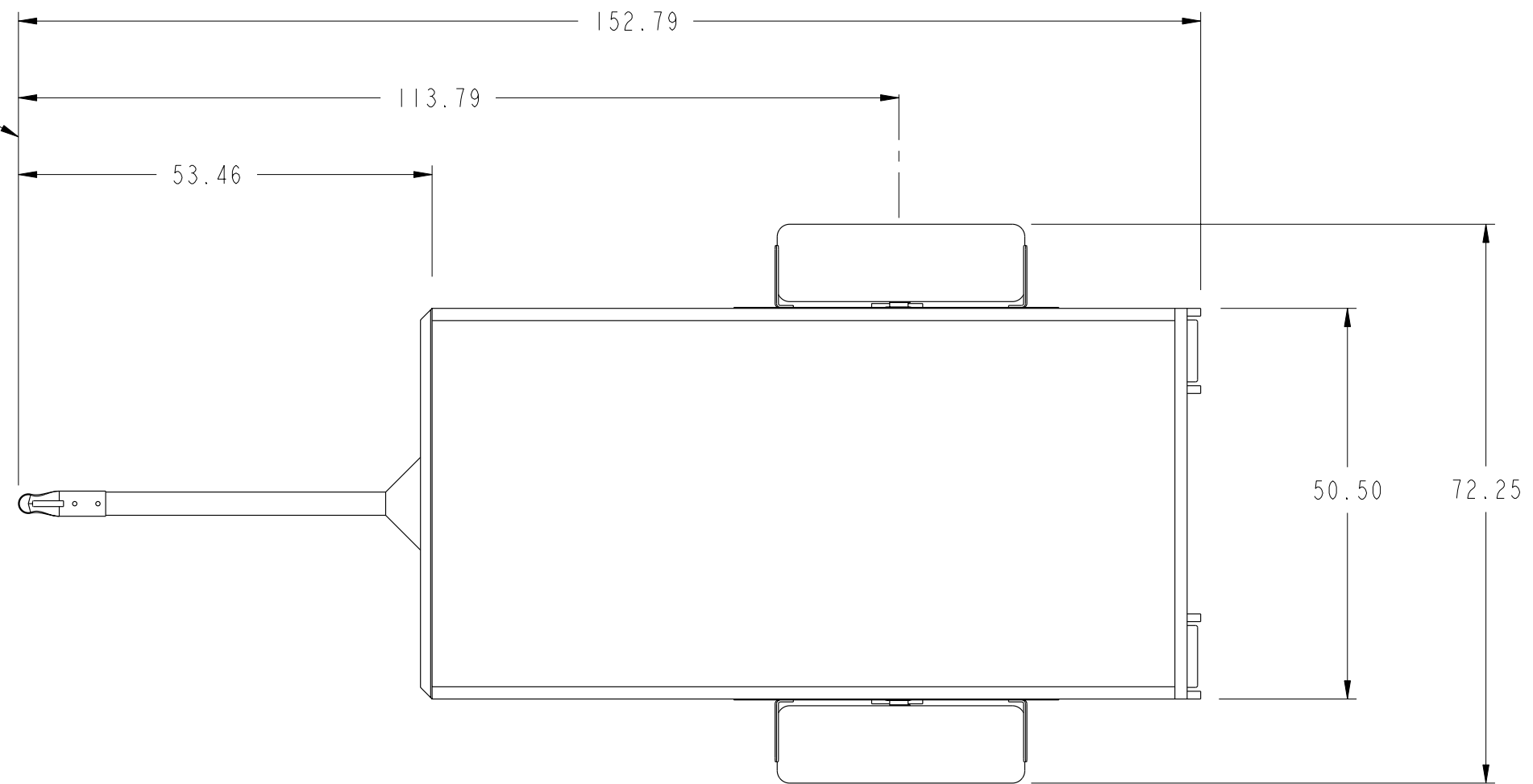
REV: 03

SMu48D35C-P2

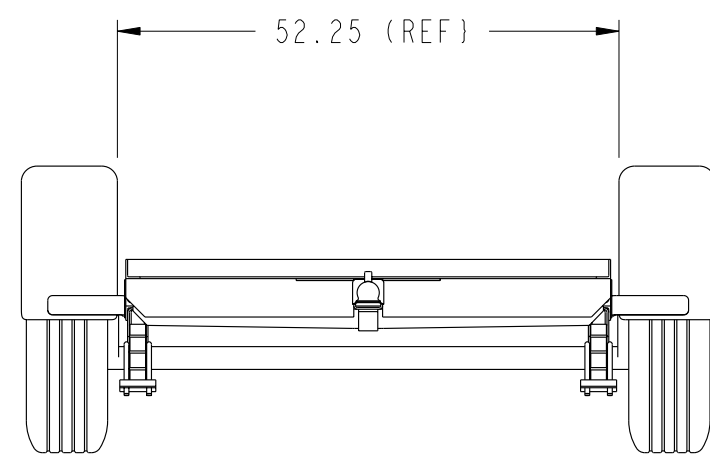
INCH

SHEET: 1 OF 18

DIMENSIONS FROM TIP OF TONGUE
WILL VARY DEPENDING ON COUPLER
CHOSEN. THESE DIMENSIONS ARE
GIVEN PRIMARILY FOR REFERENCE

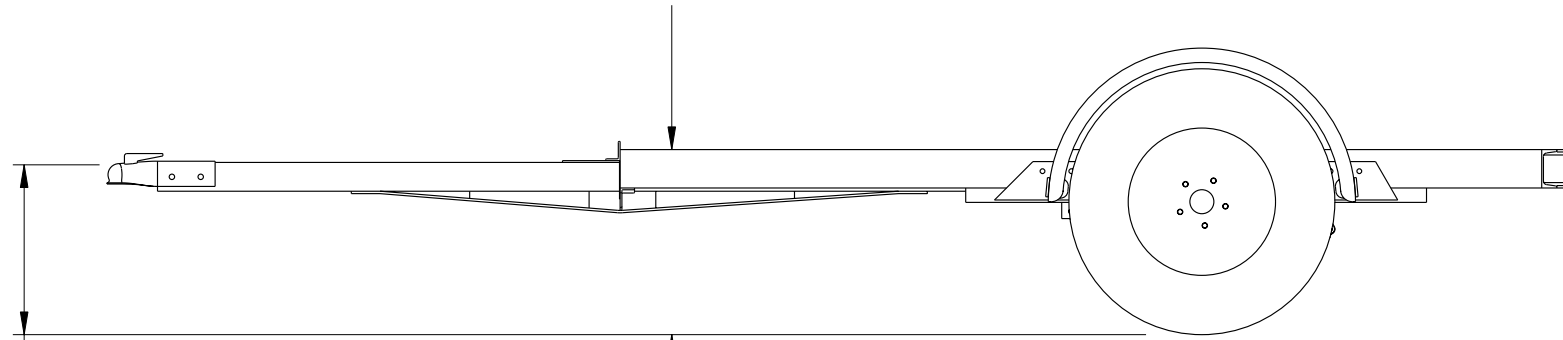


TOP VIEW



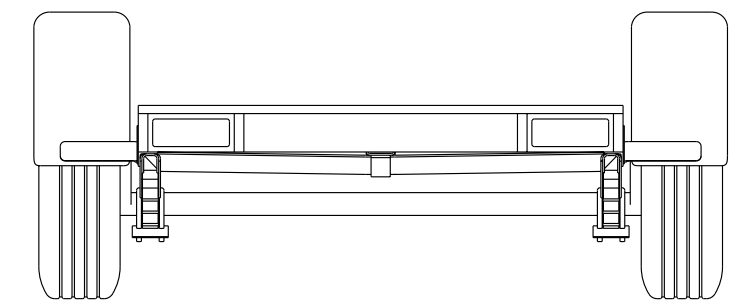
FRONT VIEW

19.3 BED HEIGHT WITH DROP AXLE
ADD 4" FOR STRAIGHT AXLE
(TIRE SIZE, AIR PRESSURE, SPRING SHAPE
AND LOAD WILL EFFECT THIS HEIGHT)



SIDE VIEW

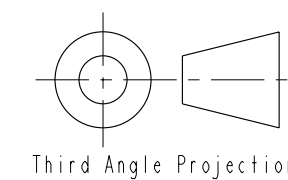
17.7 THEORETICAL TOP OF BALL HEIGHT.
THIS CAN VARY A FEW INCHES UP OR DOWN.
OPTIMAL BALL HEIGHT WILL CHANGE WITH
TRAILER AND VEHICLE LOAD, ROAD LEVEL, ETC.
ADD 4" IF A STRAIGHT AXLE IS USED. TIRE
SIZE & SPRING HEIGHT WILL ALSO EFFECT HEIGHT



REAR VIEW

NOTES:

1. FOR A LIST OF COMPONENTS, MATERIALS & OPTIONS
SEE THE ASSOCIATED 4x8 UTILITY TRAILER DOCUMENTATION
2. INSTRUCTIONS FOR BUILDING THE TRAILER ARE ALSO INCLUDED
IN THE TRAILER CONSTRUCTION INSTRUCTIONS
3. ORTHOGONAL VIEWS OF COMPLETED TRAILER SHOWN
SEE FOLLOWING SHEETS FOR CONSTRUCTION VIEWS



Third Angle Projection

C

4x8 UTILITY TRAILER

REV: 03

SMu48D35C-P2

INCH

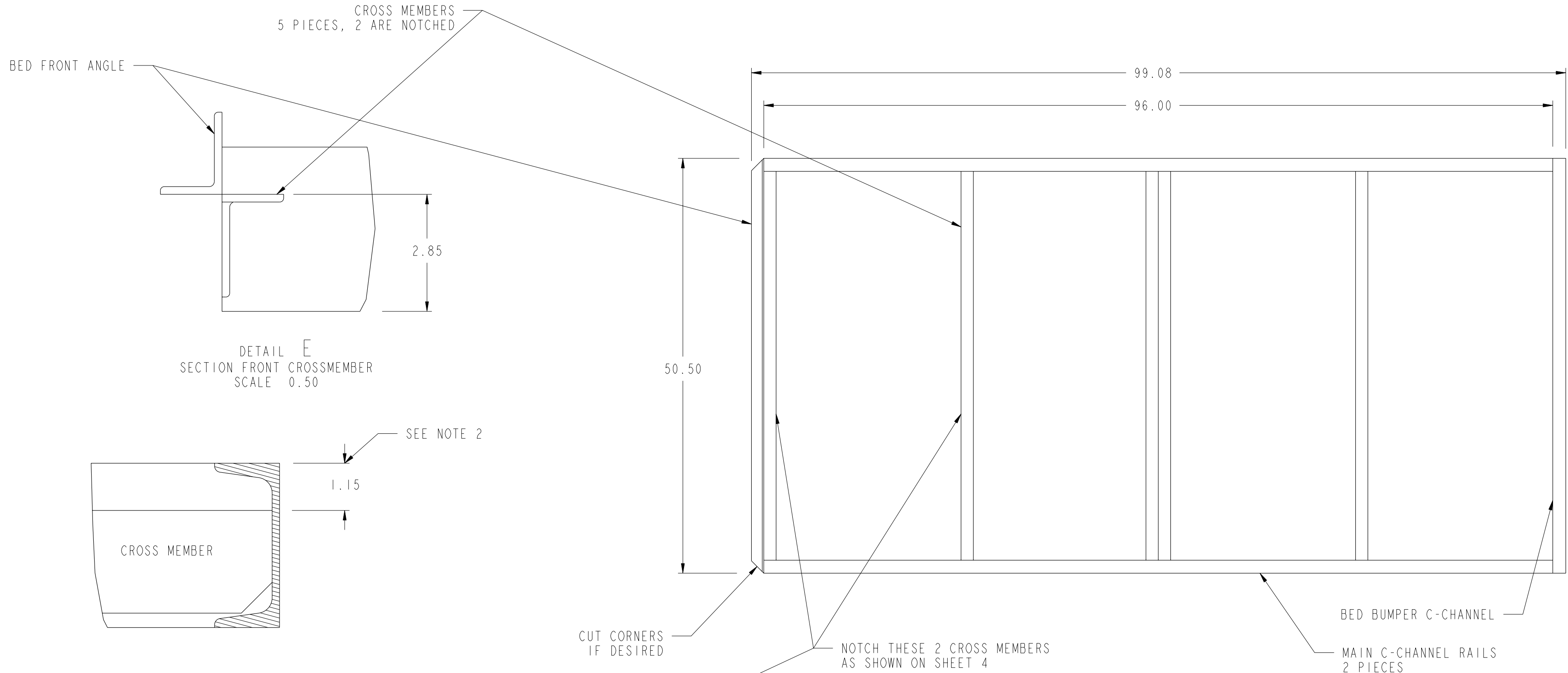
SHEET: 2 OF 18

4

3

2

1

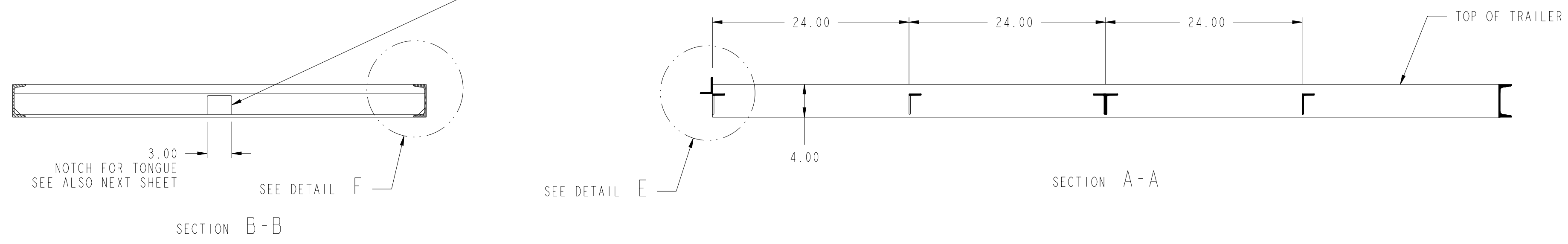


DETAIL E
SECTION FRONT CROSSMEMBER
SCALE 0.50

TRAILER FRAME TOP VIEW
SCALE 0.10

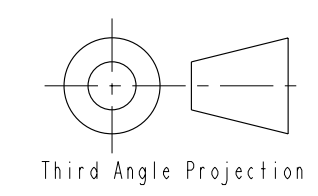
DETAIL F
SECTION SHOWING ATTACHMENT OF CROSSMEMBERS
SCALE 0.50

SECTION A-A



NOTES:

1. FOR 3D VIEW OF FRAME, SEE NEXT SHEET
2. SPACE FROM TOP OF CROSS MEMBERS TO TOP OF SIDE BEAMS FOR DECKING. SEE INSTRUCTIONS FOR VARIATIONS AND OPTIONS.



C

4x8 UTILITY TRAILER		REV: 03
SMu48D35C-P2	INCH	SHEET: 3 OF 18

4

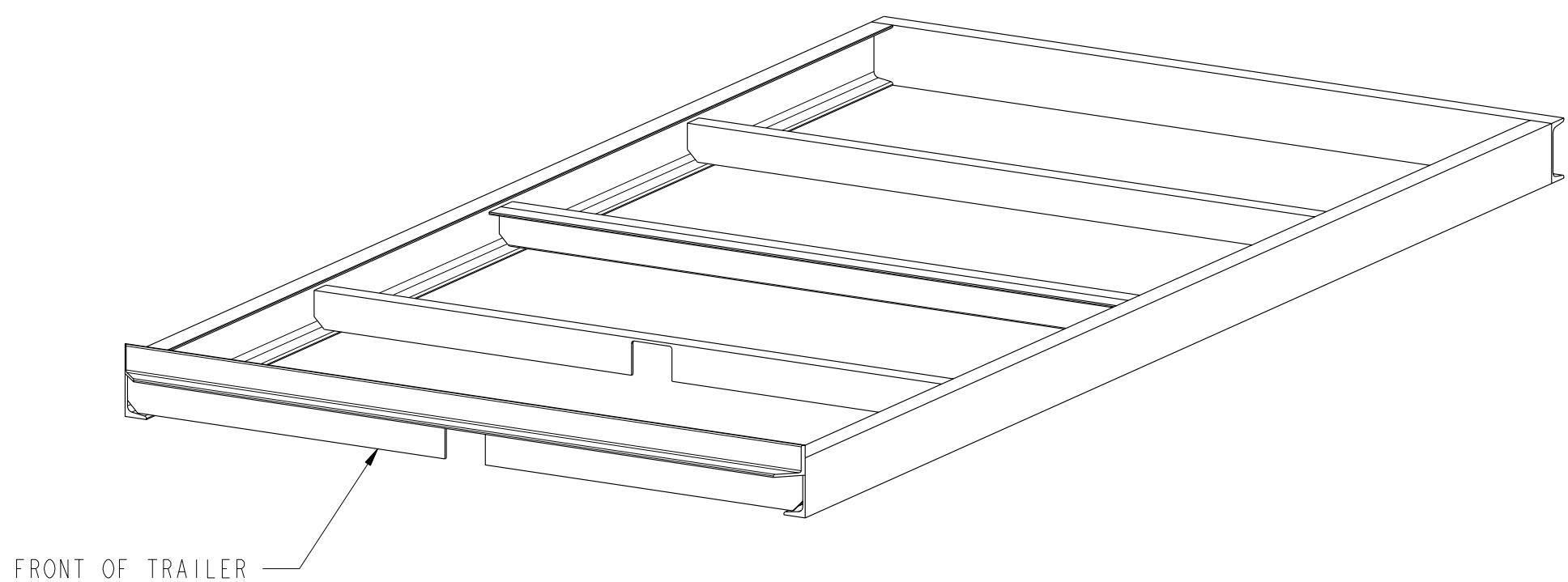
3

2

1

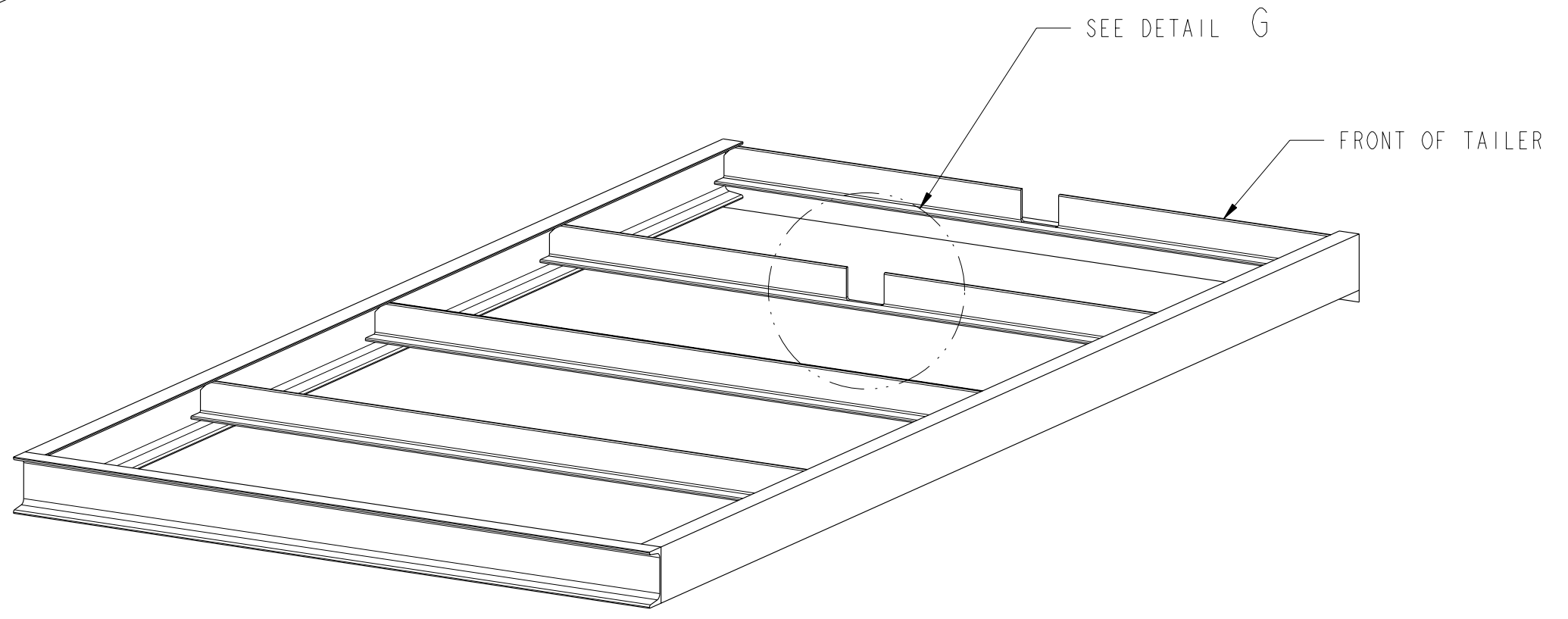
D

D



FRONT OF TRAILER

TRAILER FRAME BEFORE GUSSETS & TONGUE
VIEW SHOWING TOP OF FRAME
SCALE 0.100



SEE DETAIL G

FRONT OF TRAILER

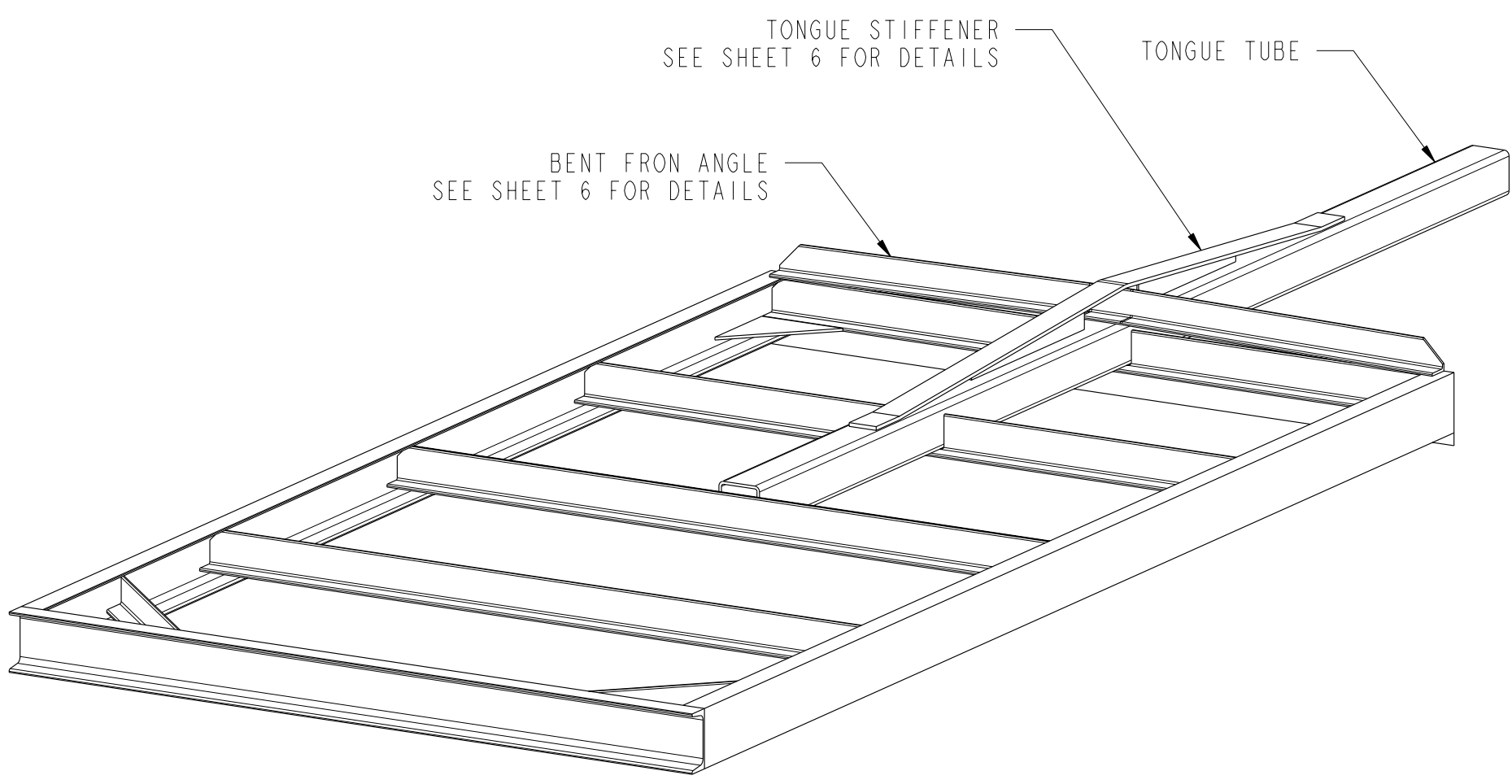
TRAILER FRAME BEFORE GUSSETS & TONGUE
VIEW SHOWING BOTTOM OF FRAME
SCALE 0.100

C

C

B

B

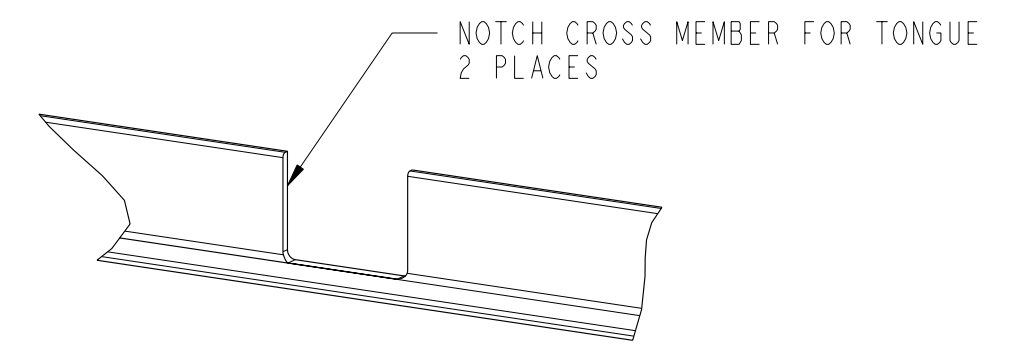


TONGUE STIFFENER
SEE SHEET 6 FOR DETAILS

TONGUE TUBE

BENT FRON ANGLE
SEE SHEET 6 FOR DETAILS

TRAILER FRAME WITH GUSSETS AND TONGUE
VIEW SHOWING BOTTOM OF FRAME
SCALE 0.100



NOTCH CROSS MEMBER FOR TONGUE
2 PLACES

DETAIL G
SCALE 0.250

A

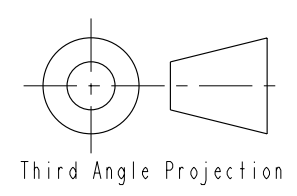
A

4

3

2

1



Third Angle Projection

C

4x8 UTILITY TRAILER

REV: 03

SMu48D35C-P2

INCH

SHEET: 4 OF 18

Copyright 2003.

All rights reserved.

MechanicalElements.com

4

3

2

1

D

D

C

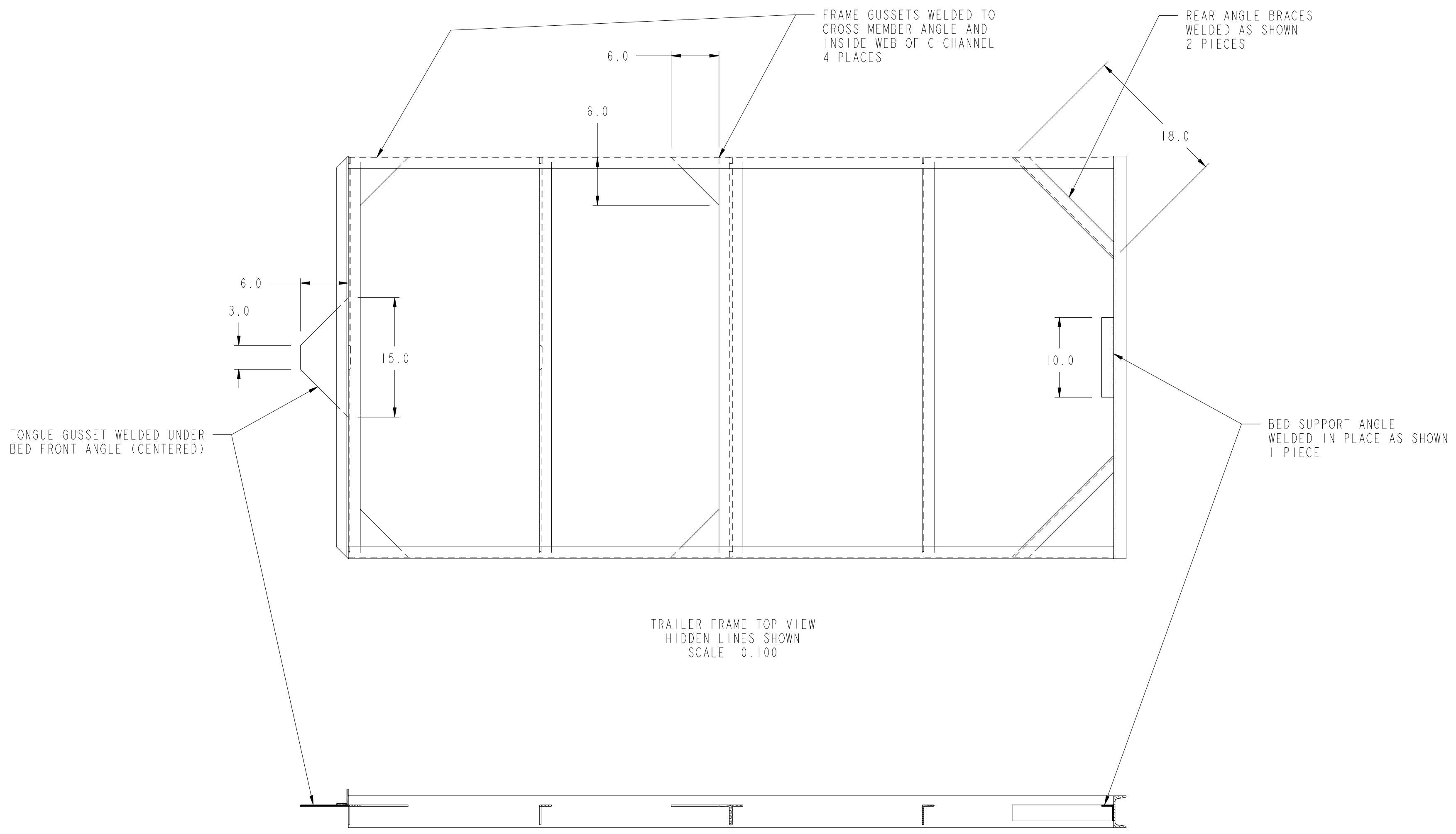
C

B

B

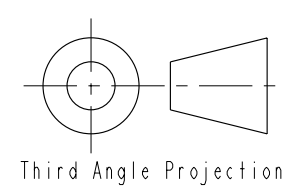
A

A



TRAILER FRAME TOP VIEW
 HIDDEN LINES SHOWN
 SCALE 0.100

SECTION A-A



Third Angle Projection

C

4x8 UTILITY TRAILER		REV: 03
SMu48D35C-P2	INCH	SHEET: 5 OF 18

4

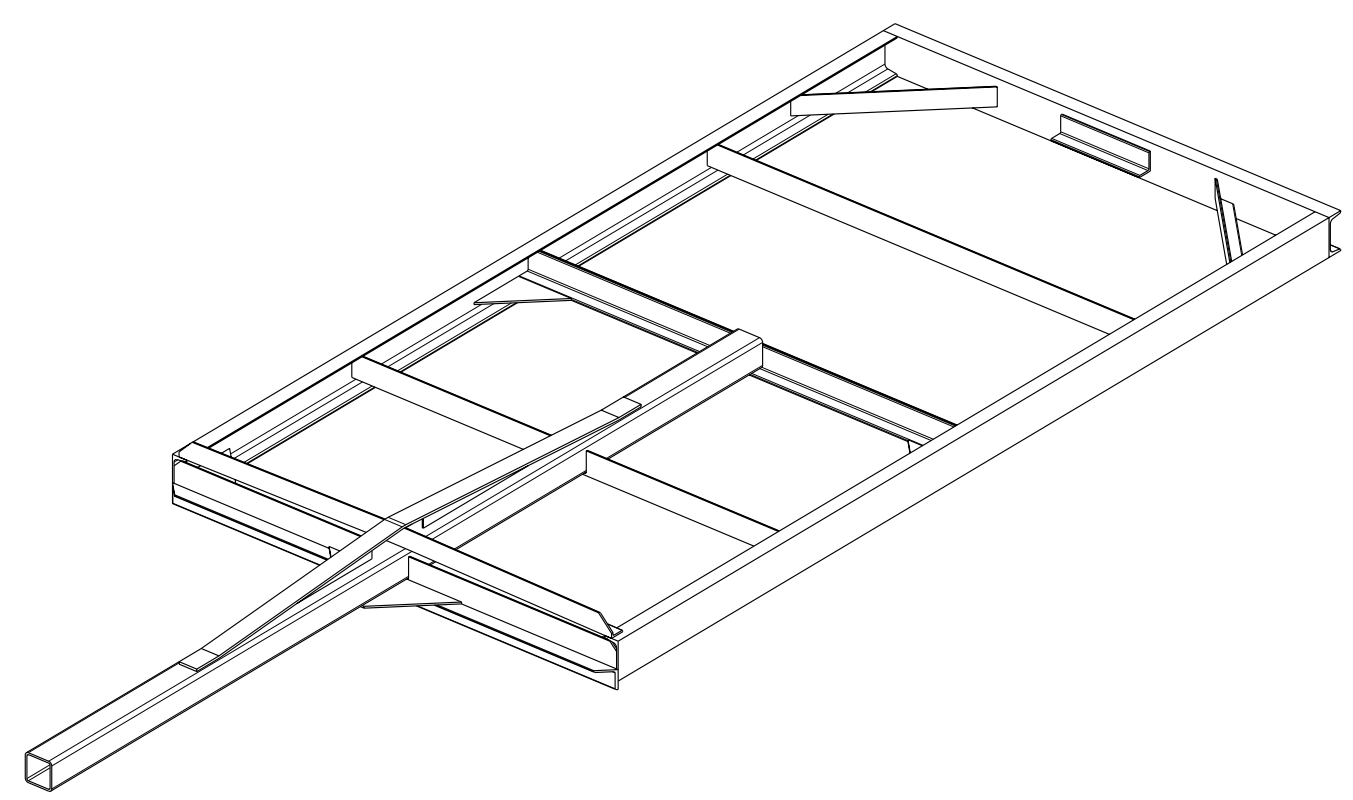
3

2

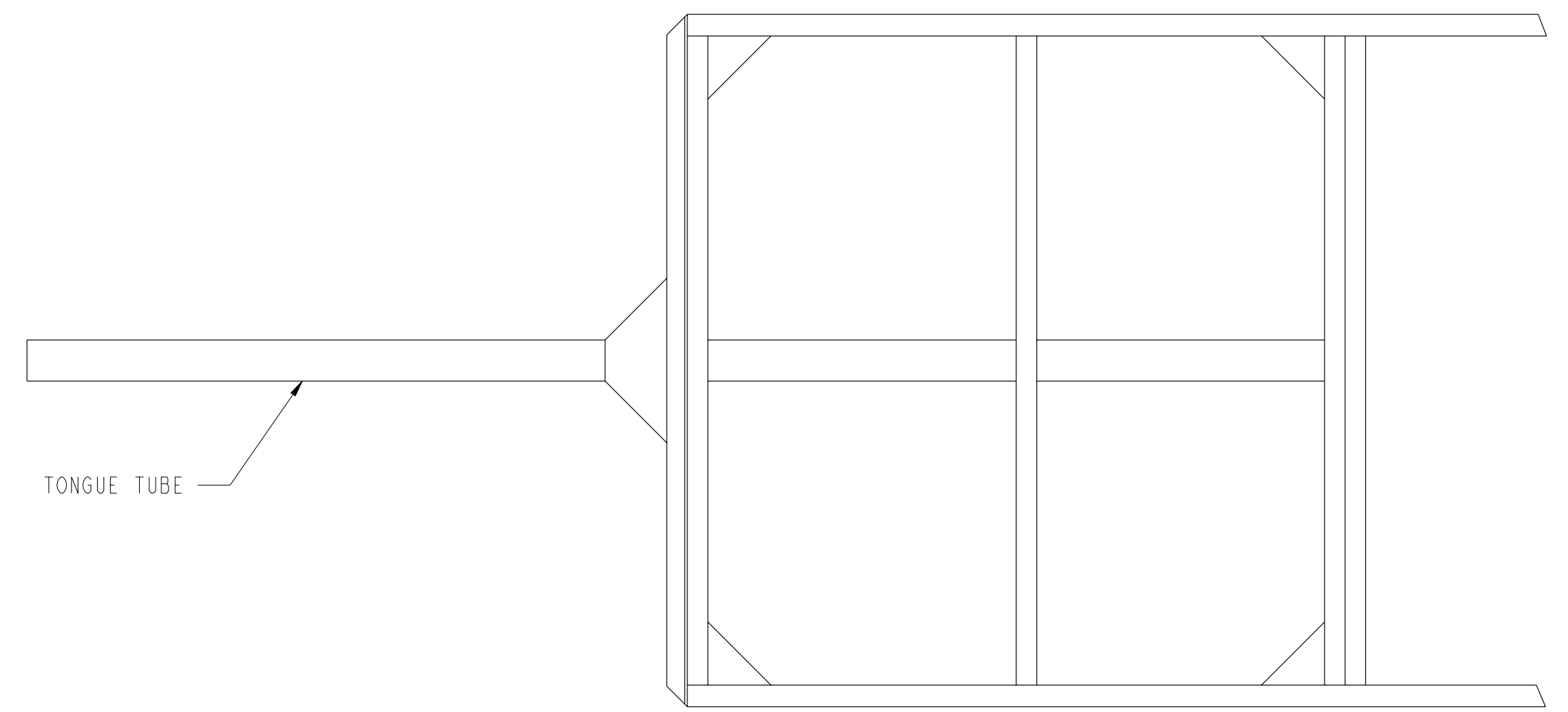
1

D

D



3D VIEW FOR REFERENCE
SEE ALSO SHEET 4
VIEW SHOWING BOTTOM OF FRAME
SCALE 0.060



TONGUE TUBE

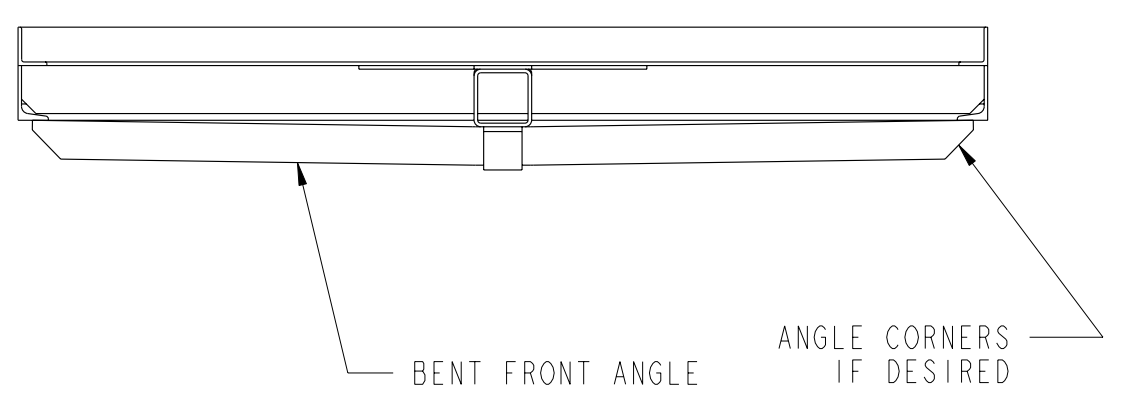
PARTIAL VIEW OF TRAILER TOP
SCALE 0.10

C

C

B

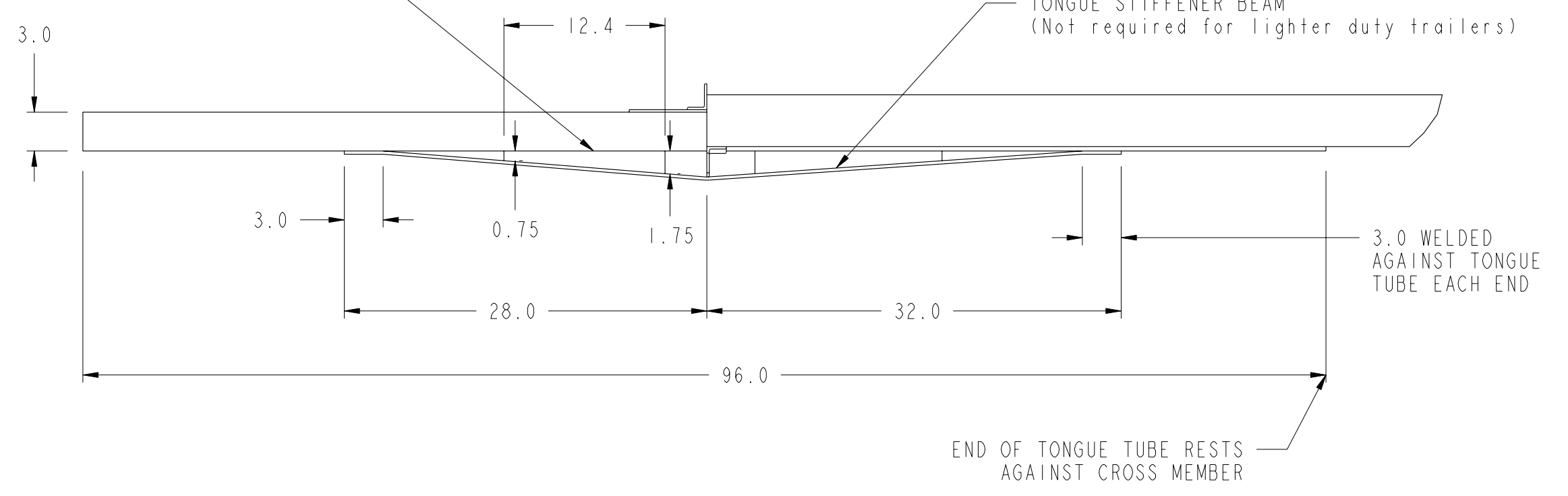
B



BENT FRONT ANGLE

ANGLE CORNERS
IF DESIRED

2 GUSSETS CUT AND FIT UNDER
TONGUE STIFFENER FOR RIGIDITY



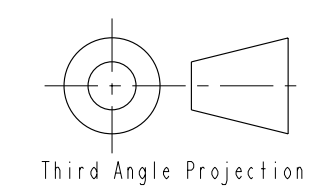
TONGUE STIFFENER BEAM
(Not required for lighter duty trailers)

3.0 WELDED
AGAINST TONGUE
TUBE EACH END

END OF TONGUE TUBE RESTS
AGAINST CROSS MEMBER

A

A



Third Angle Projection

C

4x8 UTILITY TRAILER

REV: 03

SMu48D35C-P2

INCH

SHEET: 6 OF 18

4

3

2

1

Copyright 2003. All rights reserved.

MechanicalElements.com

4

3

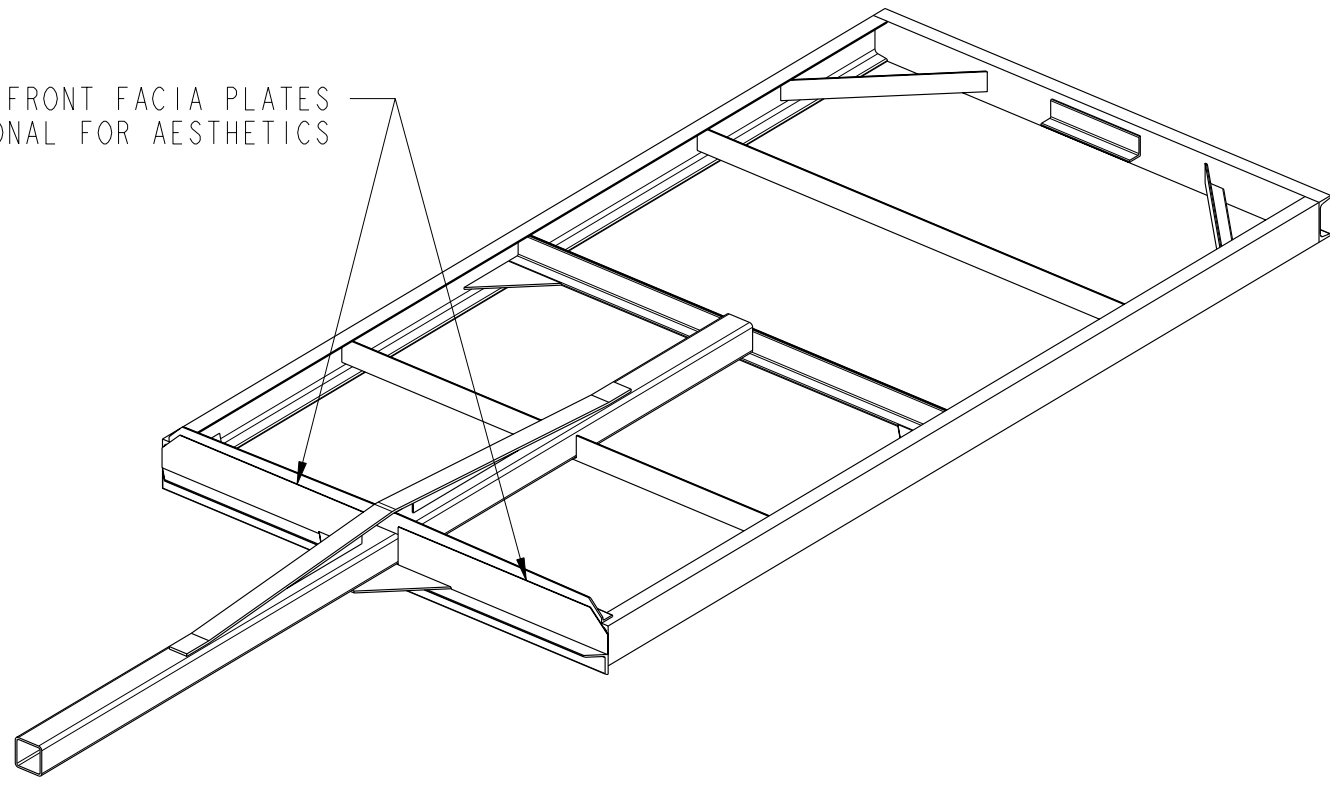
2

1

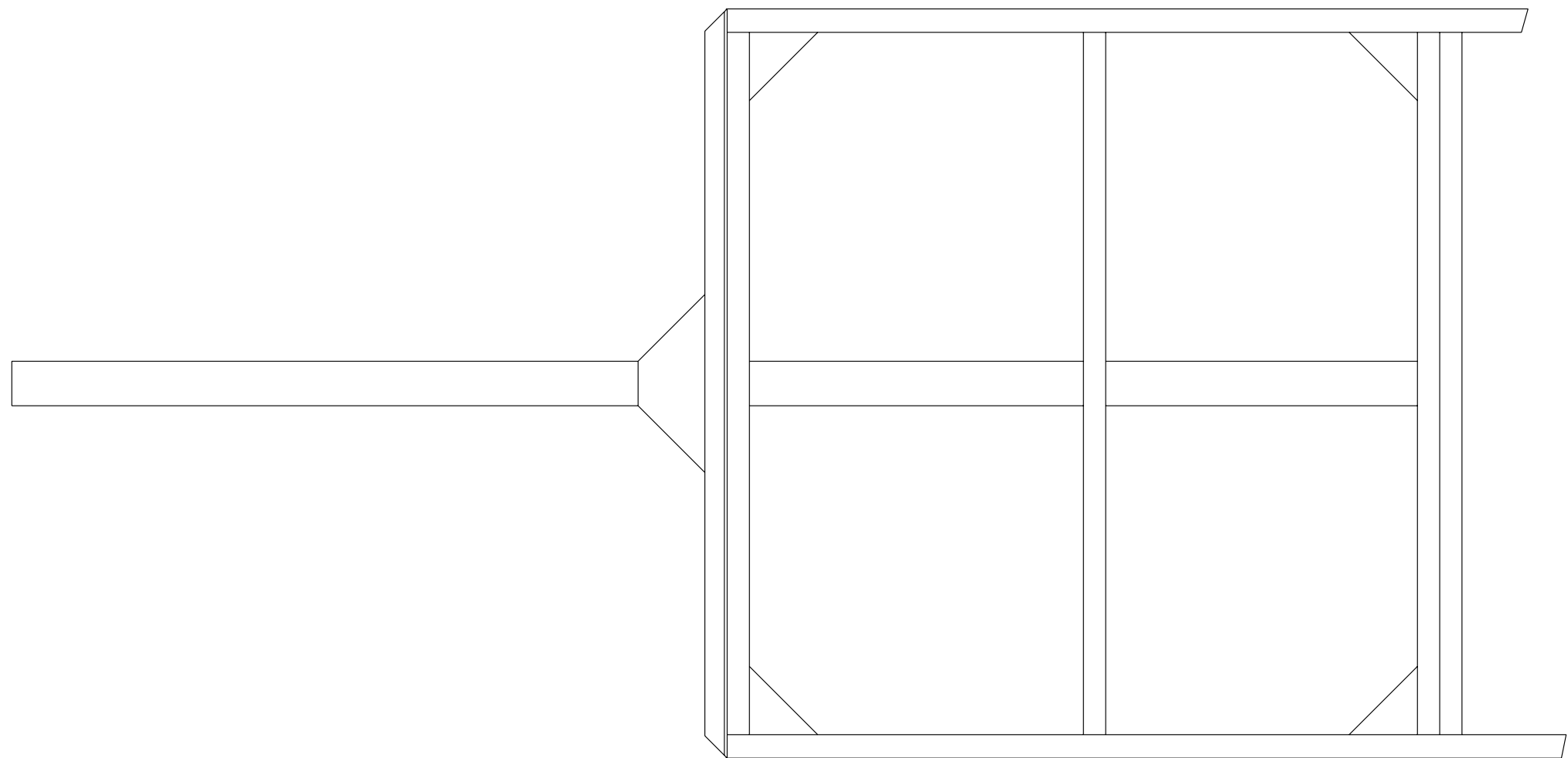
D

D

FRONT FACIA PLATES
OPTIONAL FOR AESTHETICS



3D VIEW FOR REFERENCE
VIEW SHOWING BOTTOM OF FRAME
SCALE 0.06



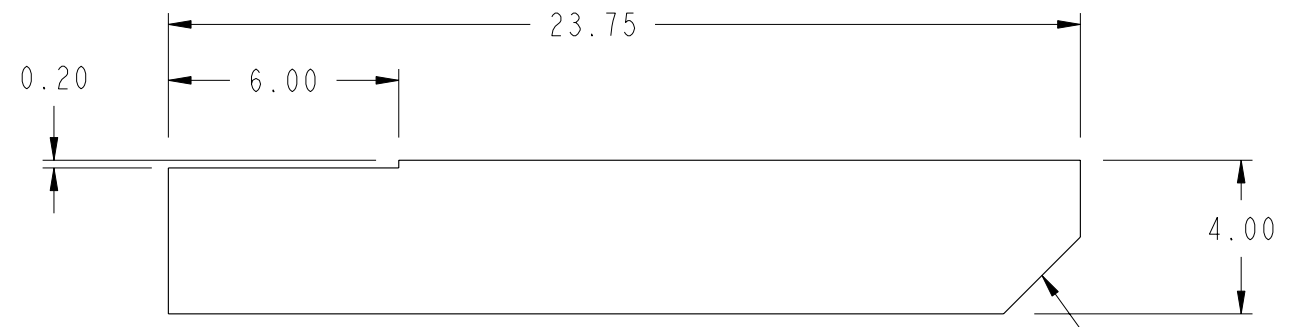
PARTIAL VIEW OF TRAILER TOP
SCALE 0.10

C

C

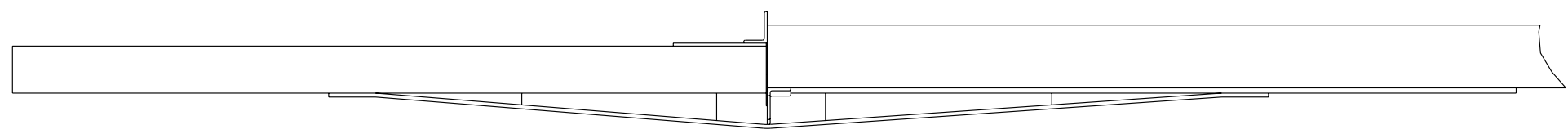
B

B



FRONT FACIA PLATE DETAIL
2 PARTS NEEDED
SCALE 0.20

CHAMFER 2.00
OPTIONAL



A

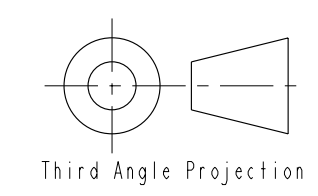
A

4

3

2

1



Third Angle Projection

C

4x8 UTILITY TRAILER

REV: 03

SMu48D35C-P2

INCH

SHEET: 7 OF 18

Copyright 2003. All rights reserved.

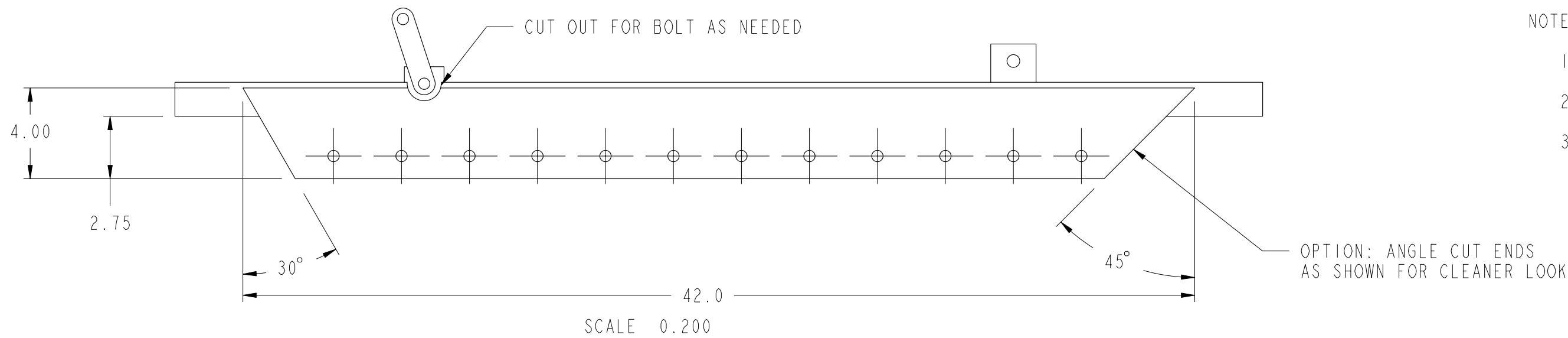
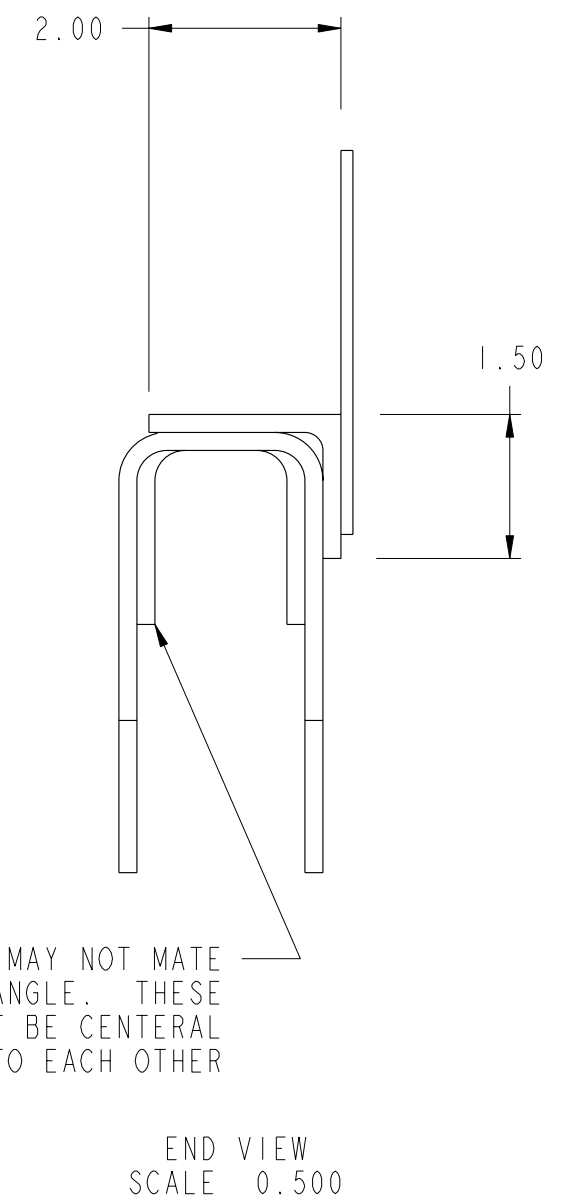
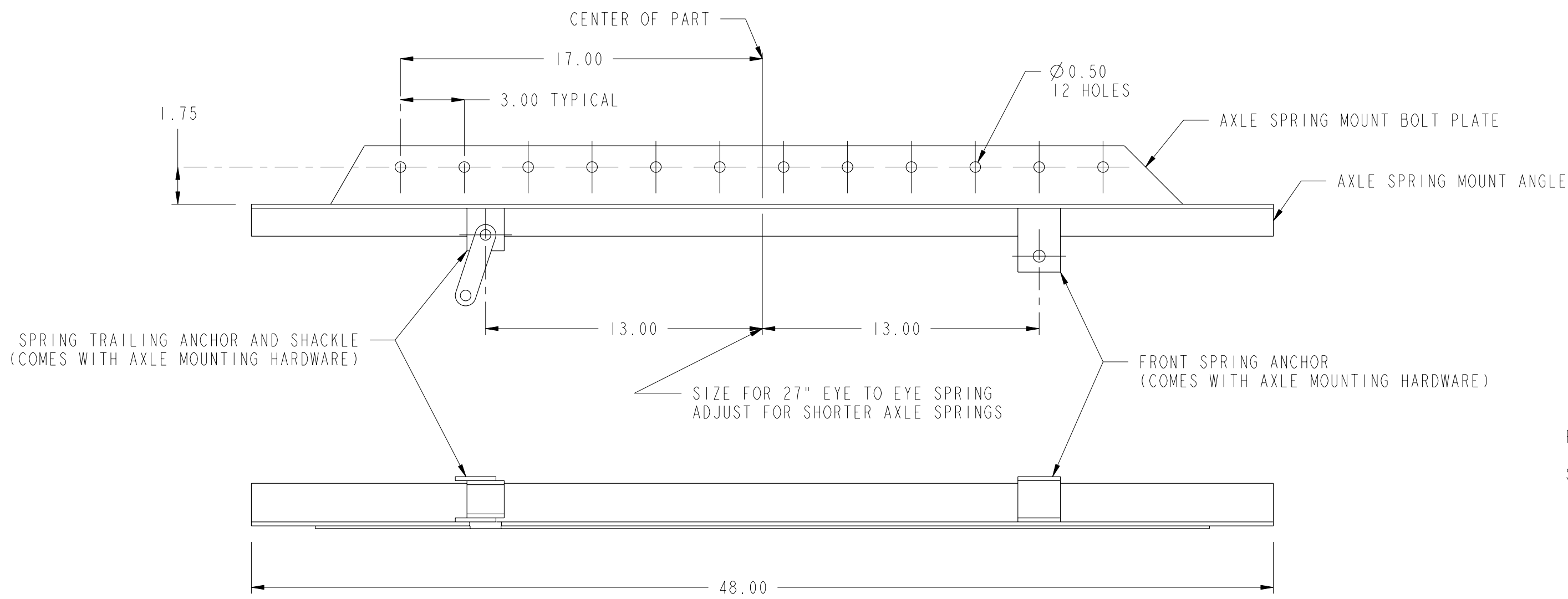
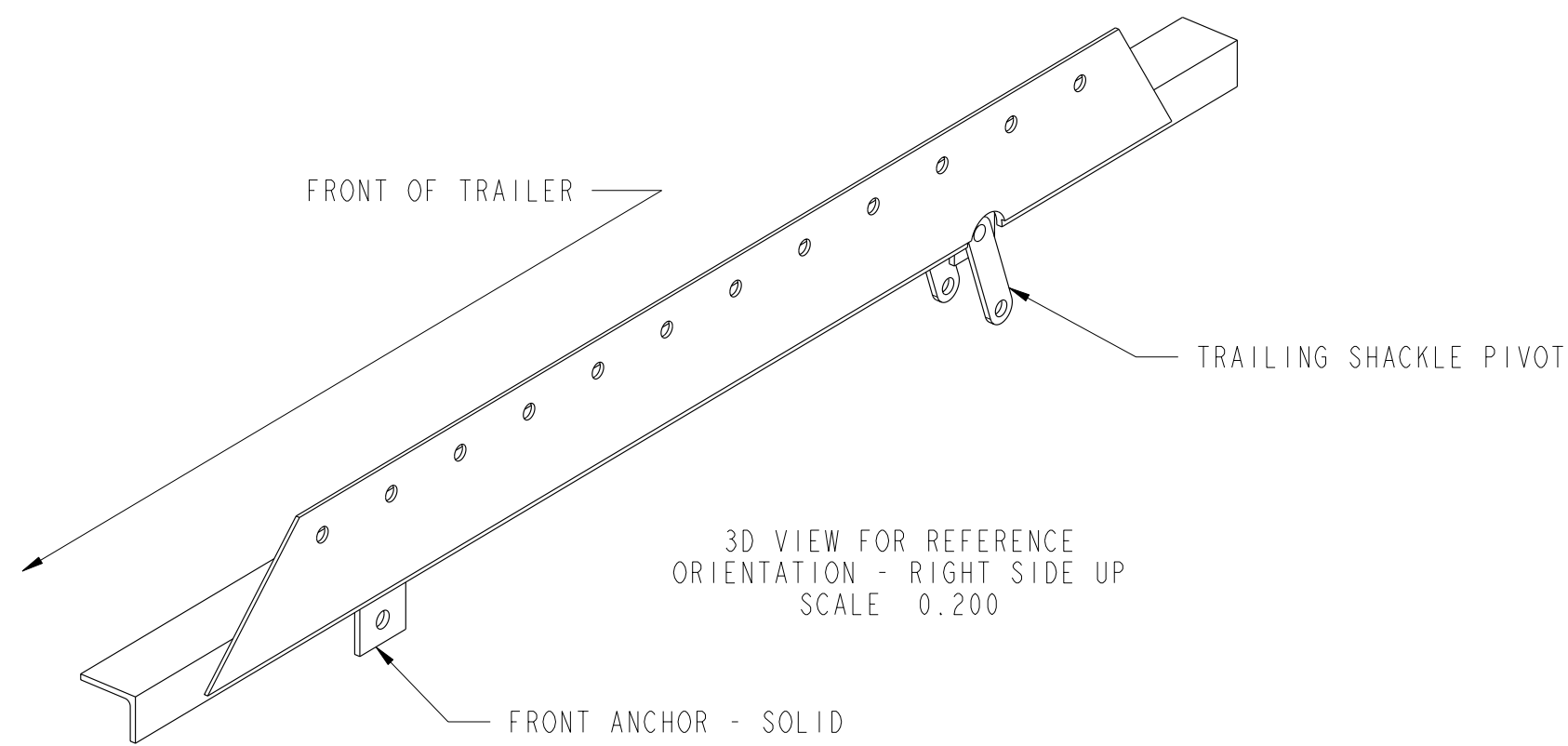
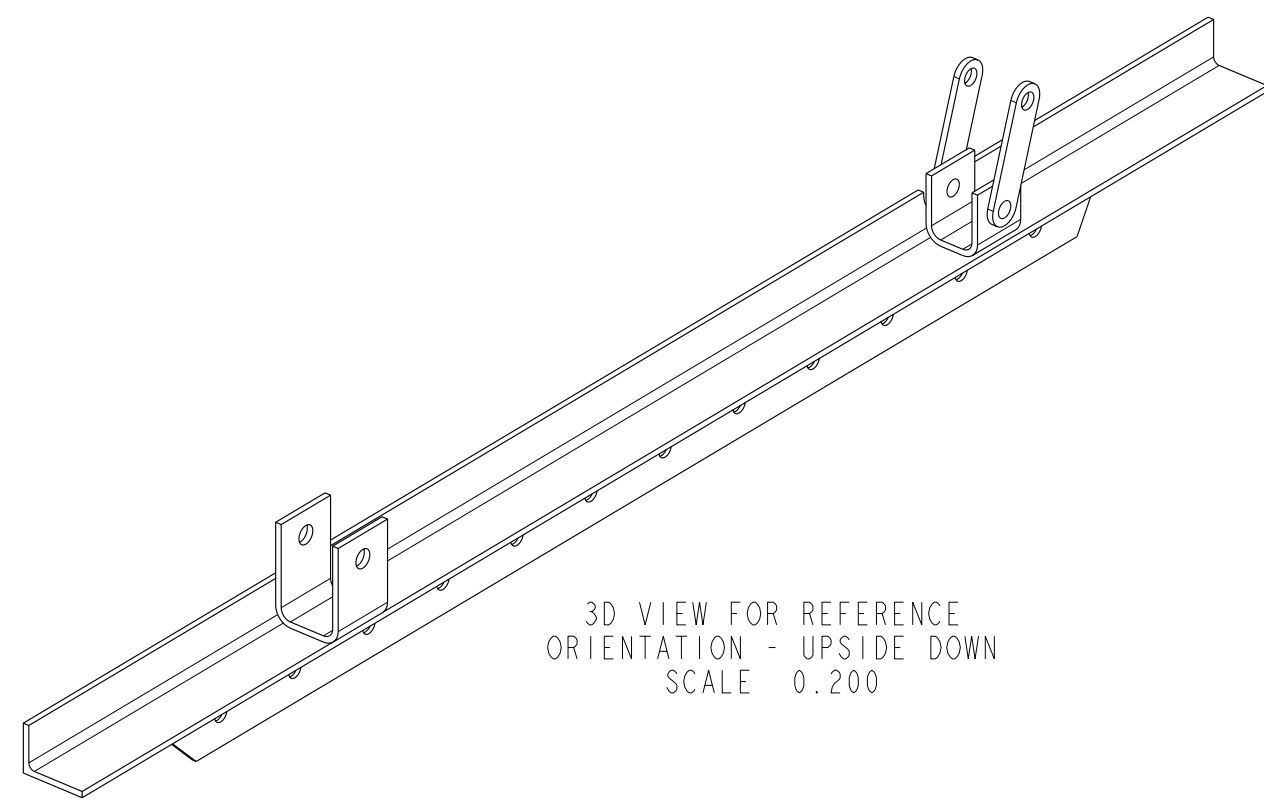
MechanicalElements.com

4

3

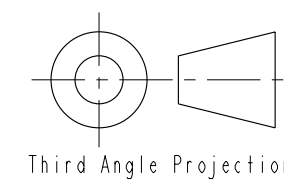
2

1



NOTE:

1. LEFT SIDE (DRIVERS SIDE) SPRING MOUNT SHOWN
RIGHT HAND PART OPPOSITE
2. SERIES OF HOLES THROUGH SPRING MOUNT BOLT PLATE
ARE OPTIONAL FOR MOVABLE AXLE
3. IF AXLE IS NOT TO BE MOVABLE, WELD SPRING MOUNT
DIRECTLY TO MAIN FRAME BEAMS AFTER PLACEMENT



C

4x8 UTILITY TRAILER

REV: 03

SMu48D35C-P2

INCH

SHEET: 8 OF 18

4

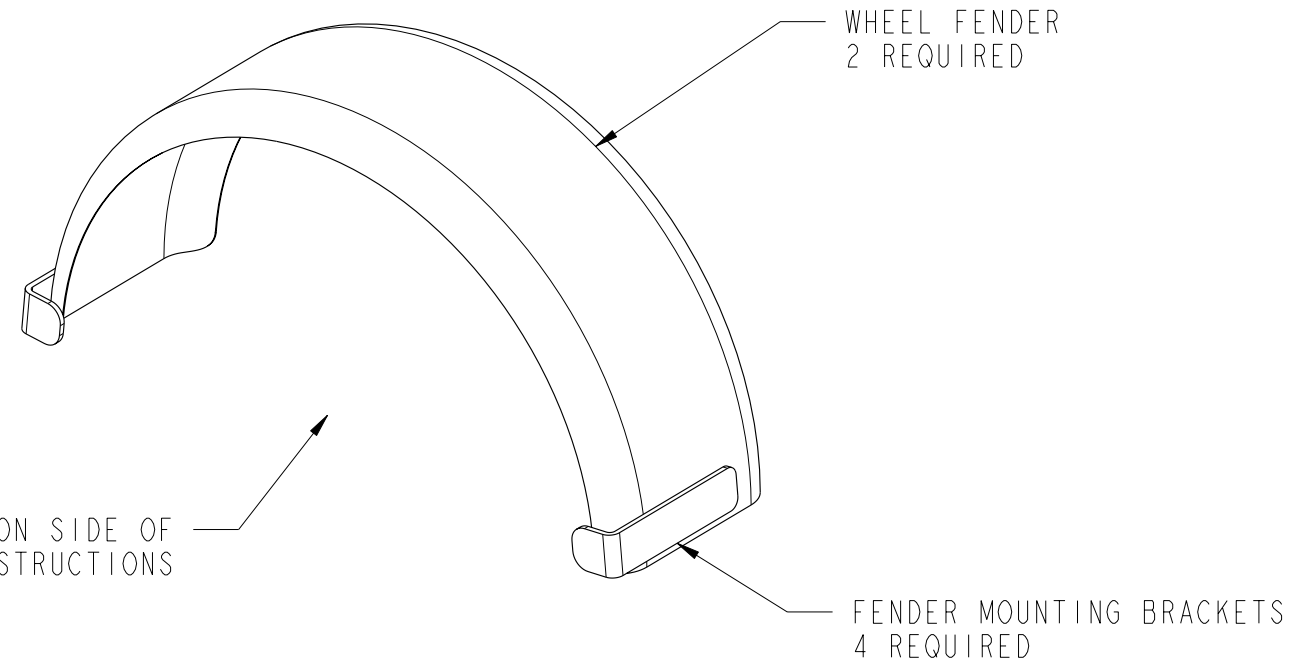
3

2

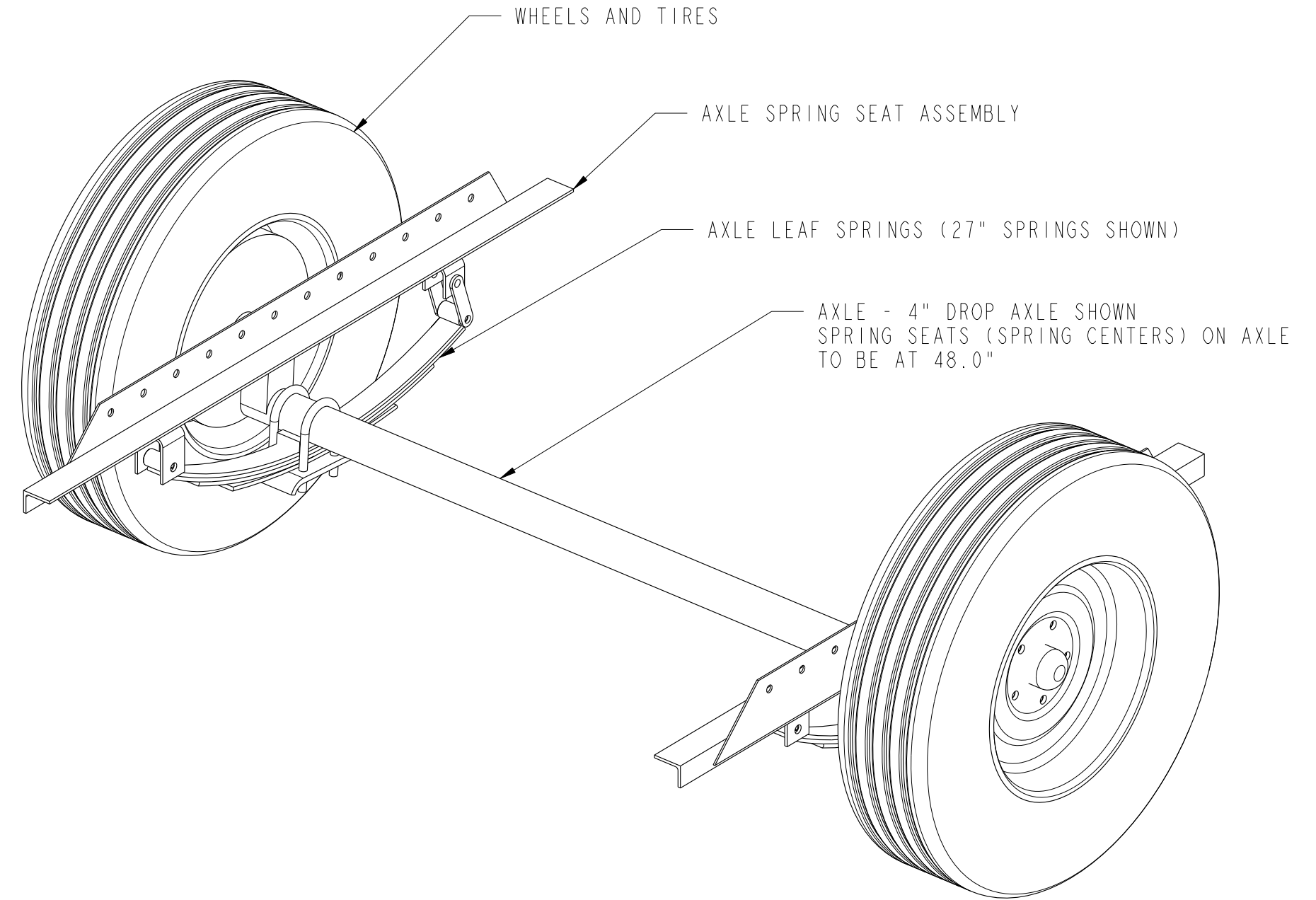
1

D

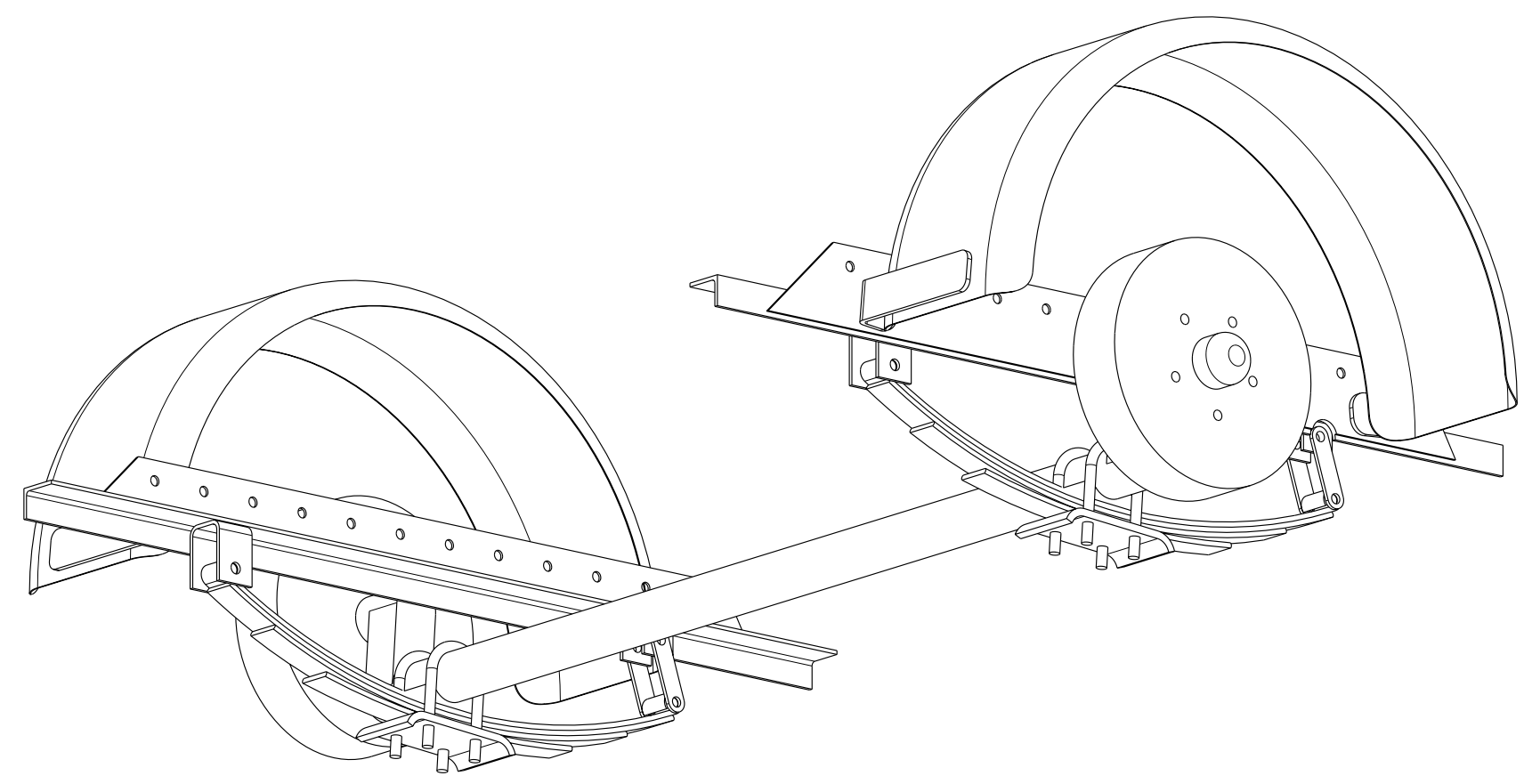
D



FENDER WITH MOUNTING BRACKETS
SCALE 0.125

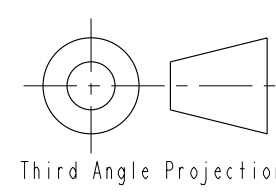


AXLE ASSEMBLY W/O FENDERS
SCALE 0.125



AXLE ASSEMBLY WITH FENDERS
WHEELS REMOVED FOR CLARITY
SCALE 0.125

NOTE:
1. DROP AXLE SHOWN, STRAIGHT AXLE ASSEMBLY SIMILAR



C

4x8 UTILITY TRAILER

REV: 03

SMu48D35C-P2 INCH SHEET: 9 OF 18

4

3

2

1

A

A

B

B

C

C

4

3

2

1

D

D

C

C

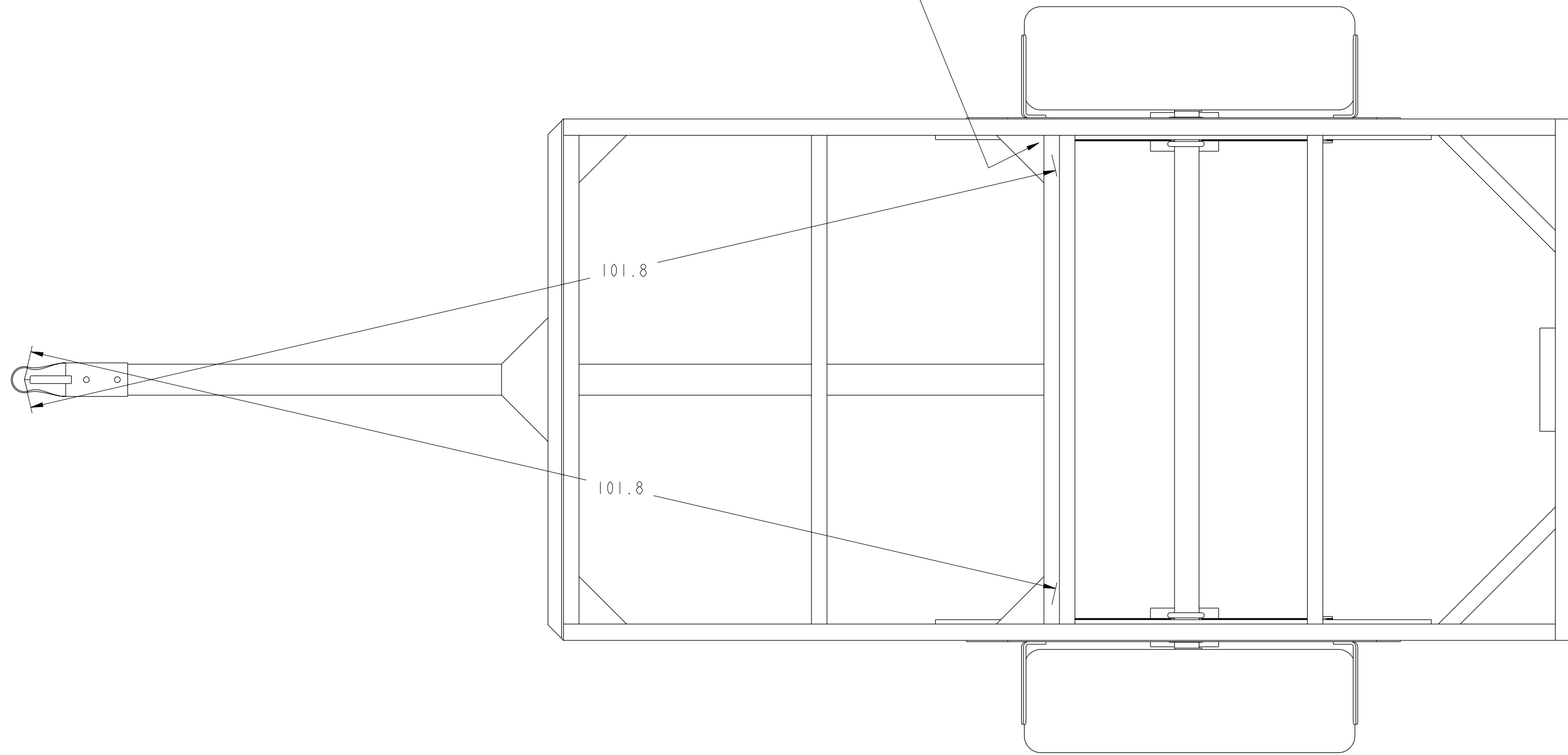
B

B

A

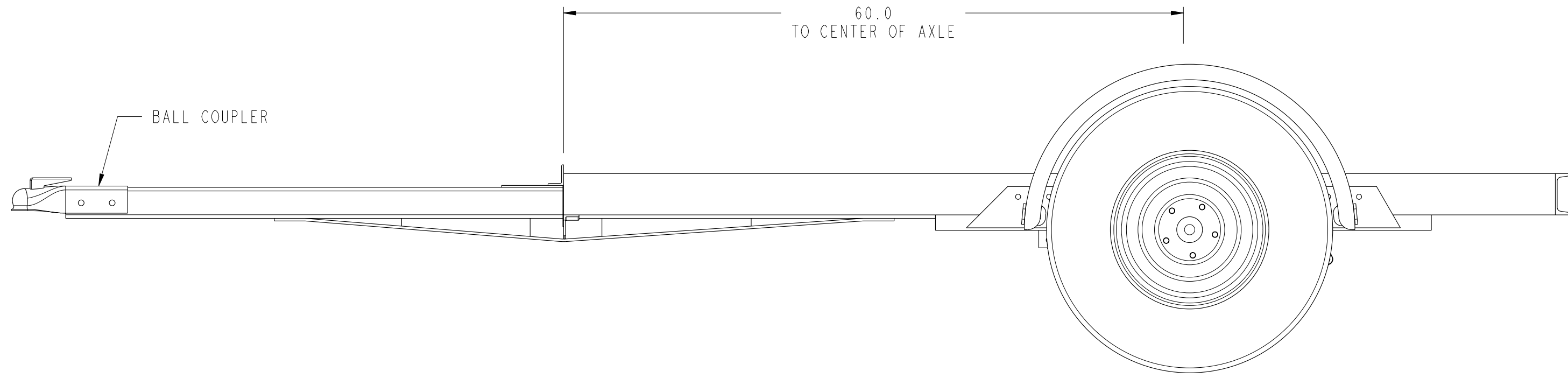
A

CENTER OF FRONT SPRING MOUNTING BOLT



60.0
TO CENTER OF AXLE

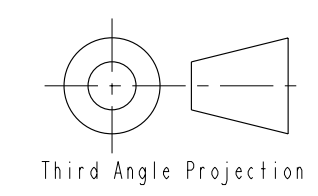
BALL COUPLER



PLACEMENT OF AXLE ON TRAILER
SCALE 0.100

NOTE:

1. AXLE PLACEMENT SHOWN IS RECOMMENDED FOR MOST APPLICATIONS WITH THE MOVABLE AXLE OPTION, THE AXLE CAN BE MOVED FORE OR AFT IN 3" INCREMENTS FOR BETTER LOAD BALANCE



Third Angle Projection

C

4x8 UTILITY TRAILER

REV: 03

SMu48D35C-P2

INCH

SHEET: 10 OF 18

4

3

2

1

Copyright 2003. All rights reserved.

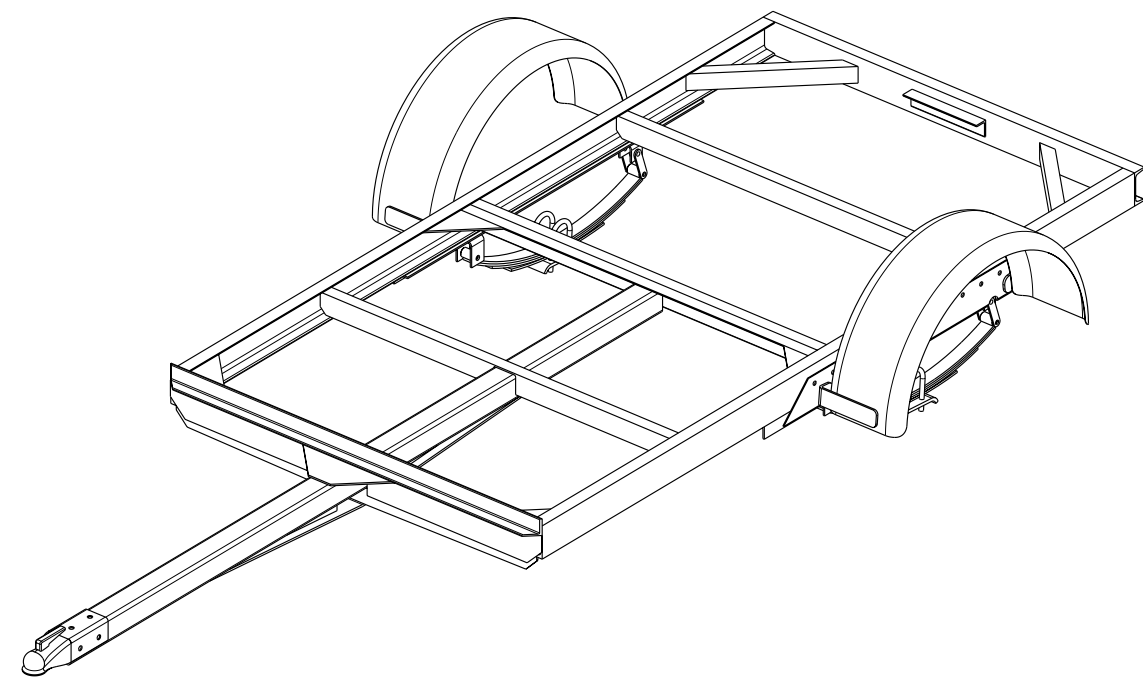
MechanicalElements.com

4

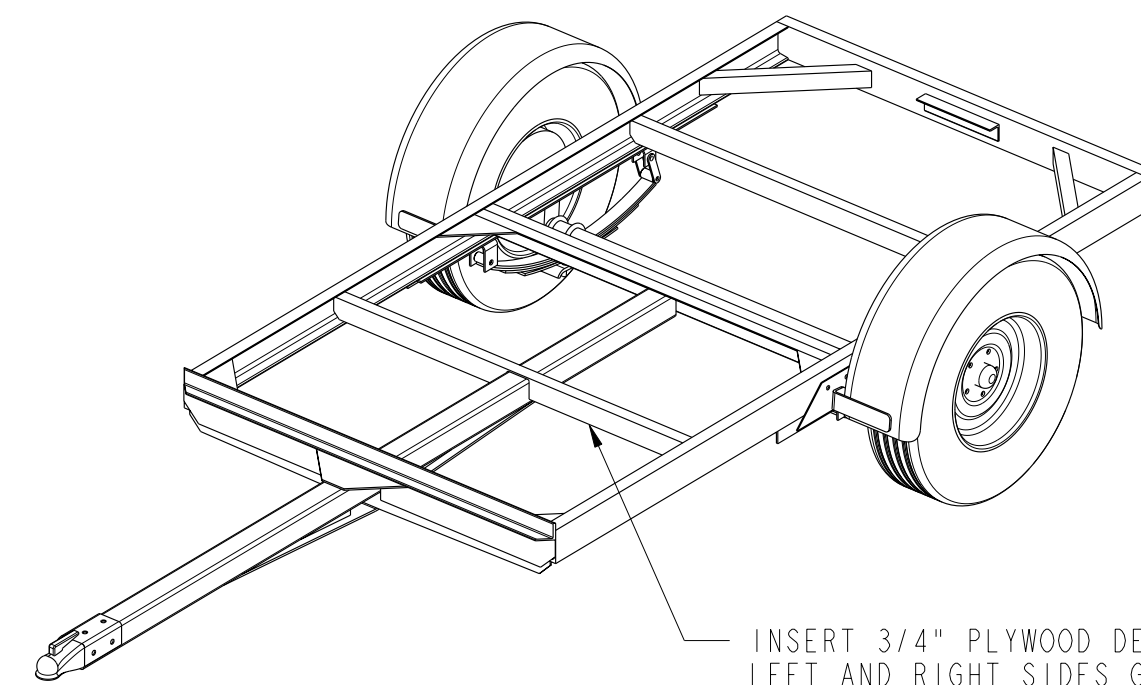
3

2

1

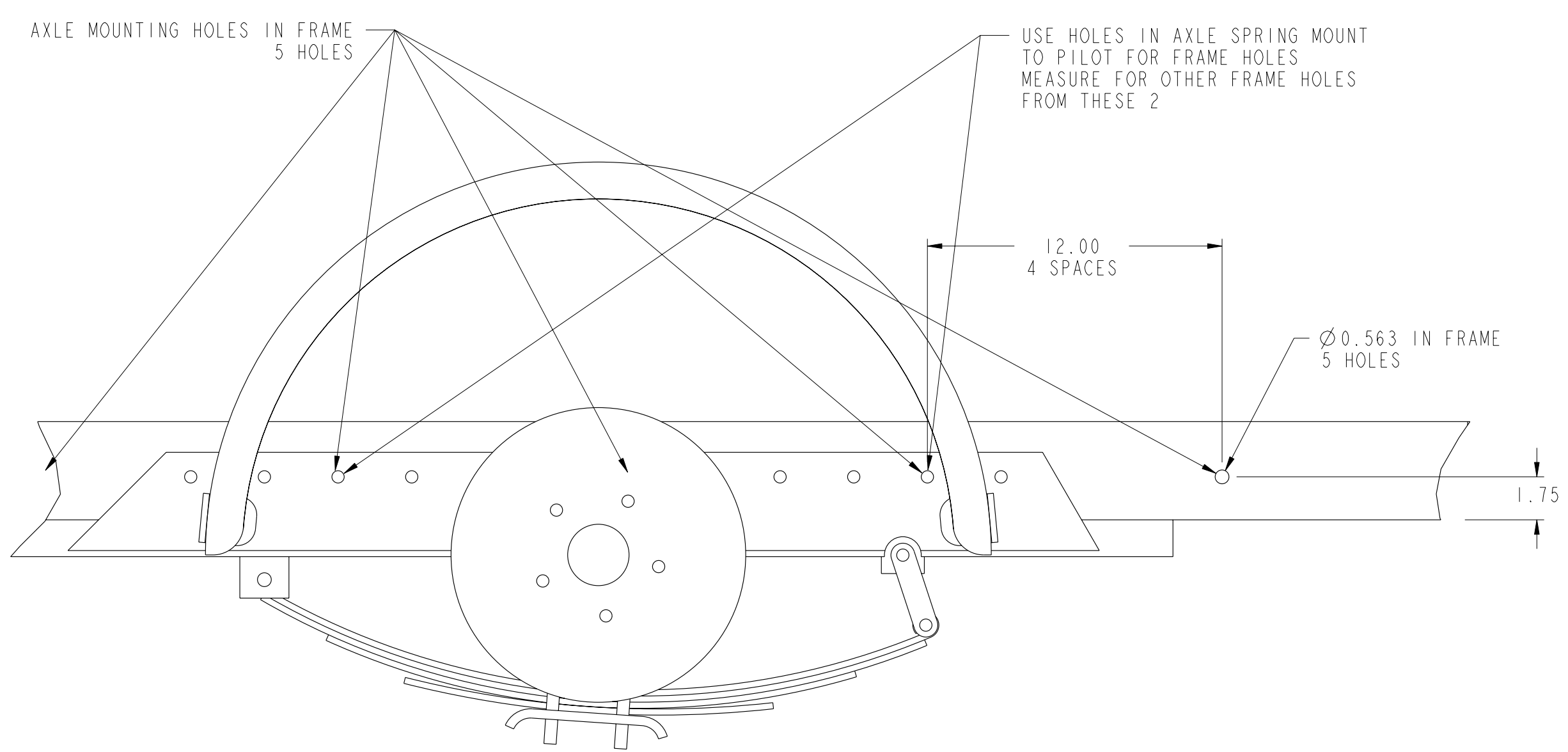


3D VIEW FOR REFERENCE
AXLE AND WHEELS OFF
SCALE 0.050

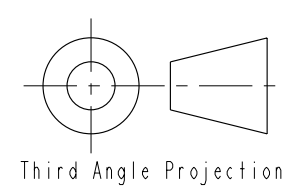


3D VIEW FOR REFERENCE
WHEELS ON
SCALE 0.050

INSERT 3/4" PLYWOOD DECK
LEFT AND RIGHT SIDES GO UNDER C-CHANNEL SO INSERT
ONE SIDE FIRST THEN LAY FLAT AND MOVE BACK TO CENTER.
FIRST EDGE OF PLYWOOD UNDER MAY NEED A SLIGHT CHAMFER



DETAILED VIEW OF AXLE MOUNTING TO TRAILER FRAME
WHEELS AND TIRES NOT SHOWN FOR CLARITY
SCALE 0.200



Third Angle Projection

C

4x8 UTILITY TRAILER

REV: 03

SMu48D35C-P2

INCH

SHEET: 11 OF 18

4

3

2

1

Copyright 2003.

All rights reserved.

MechanicalElements.com

4

3

2

1

D

D

C

C

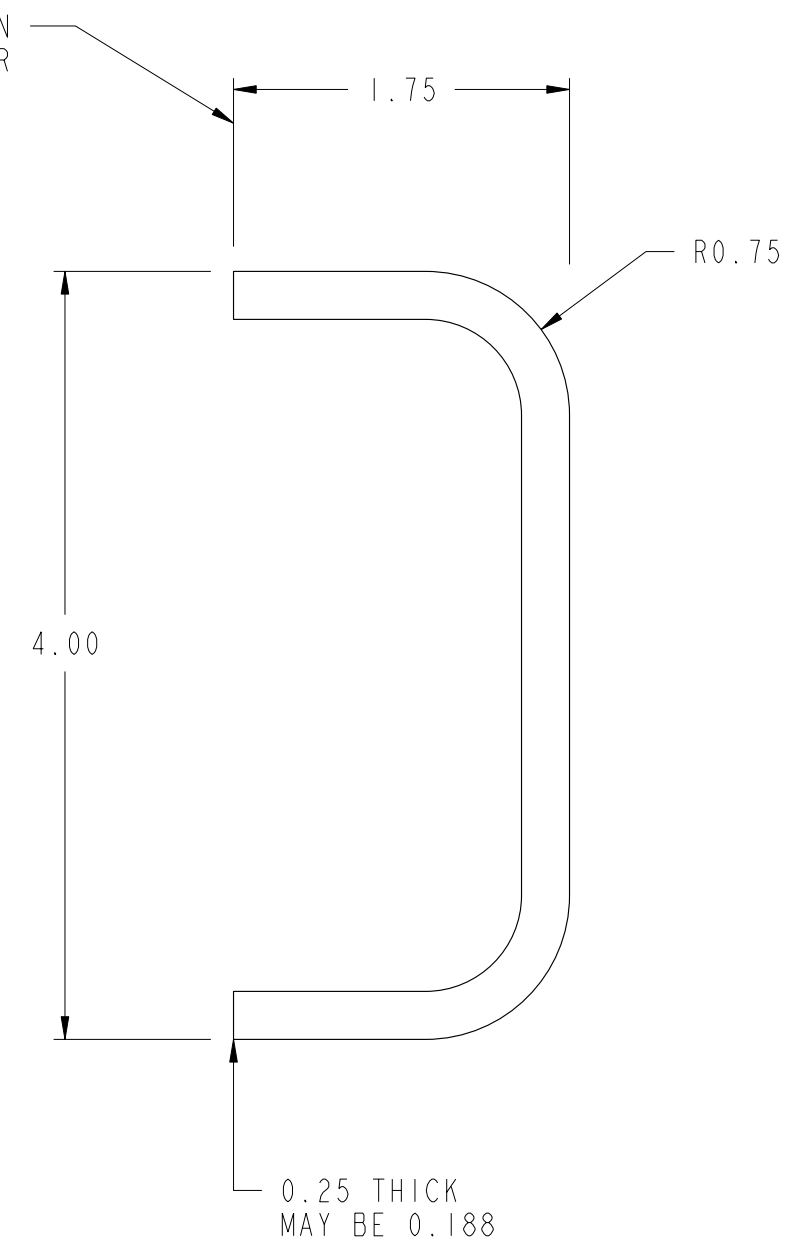
B

B

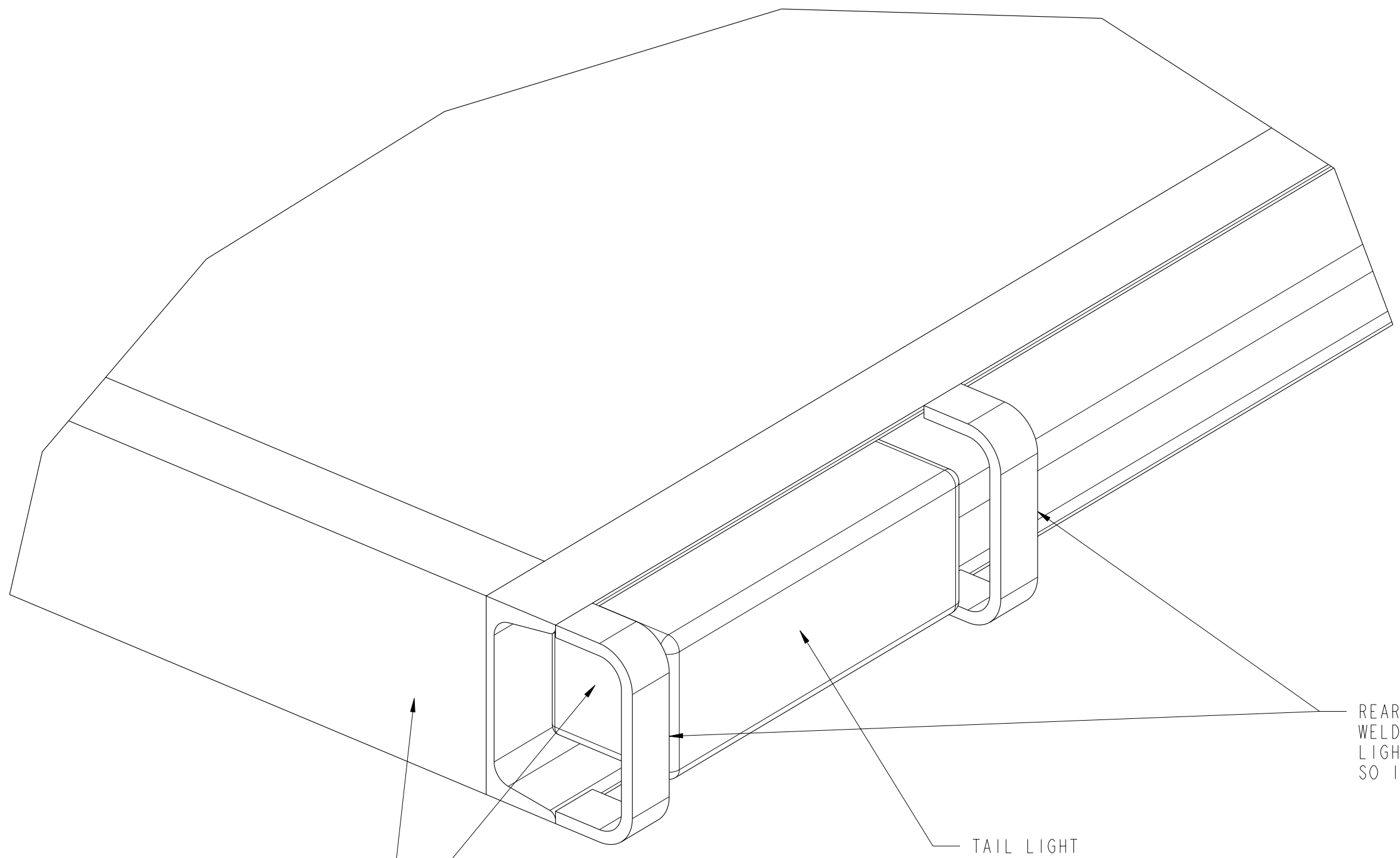
A

A

DEPENDING ON TAIL LIGHT ASSEMBLY CHOSEN
THIS DIMENSION MAY NEED TO BE LONGER OR SHORTER



TAIL LIGHT PROTECTOR
1" WIDE STEEL BENT AS SHOWN
SCALE 1.000

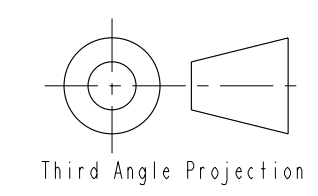


REAR TAIL LIGHT PROTECTORS
WELD ON AS APPROPRIATE FOR SELECTED TAIL LIGHT
LIGHT ASSEMBLY SHOULD FIT BETWEEN PROTECTORS
SO IT CAN BE REMOVED AND/OR SERVICED

TAIL LIGHT
SHOULD FIT WITHIN C-CHANNEL
MOUNT PER SUPPLIER INSTRUCTIONS

CHECK STATE REQUIREMENTS FOR
SIDE MARKER LIGHTS
SOME TAIL LIGHT ASSEMBLIES ALSO
HAVE SIDE MARKERS BUILT IN

TAIL LIGHT PROTECTION DETAIL
SAME EACH SIDE
SCALE 0.500



C

4x8 UTILITY TRAILER		REV: 03
SMu48D35C-P2	INCH	SHEET: 12 OF 18

4

3

2

1

D

D

C

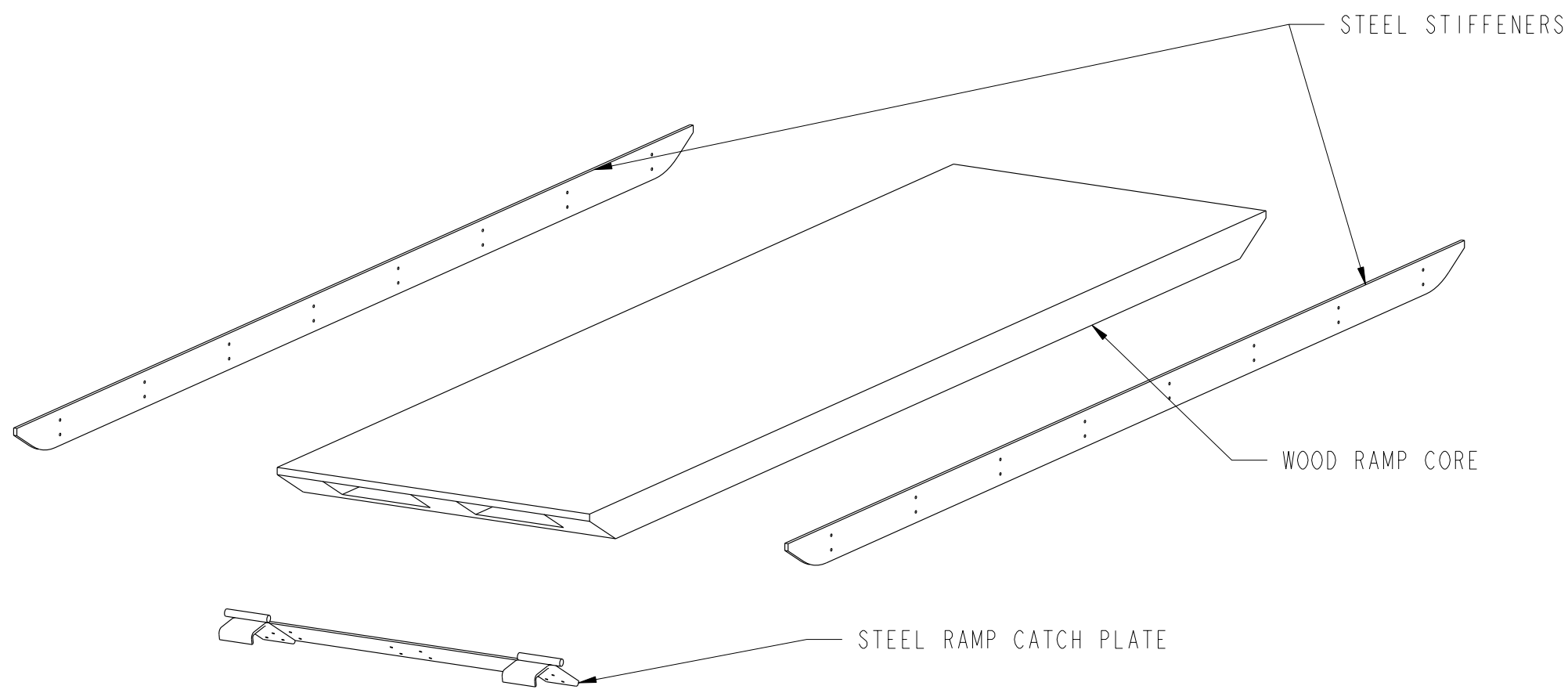
C

B

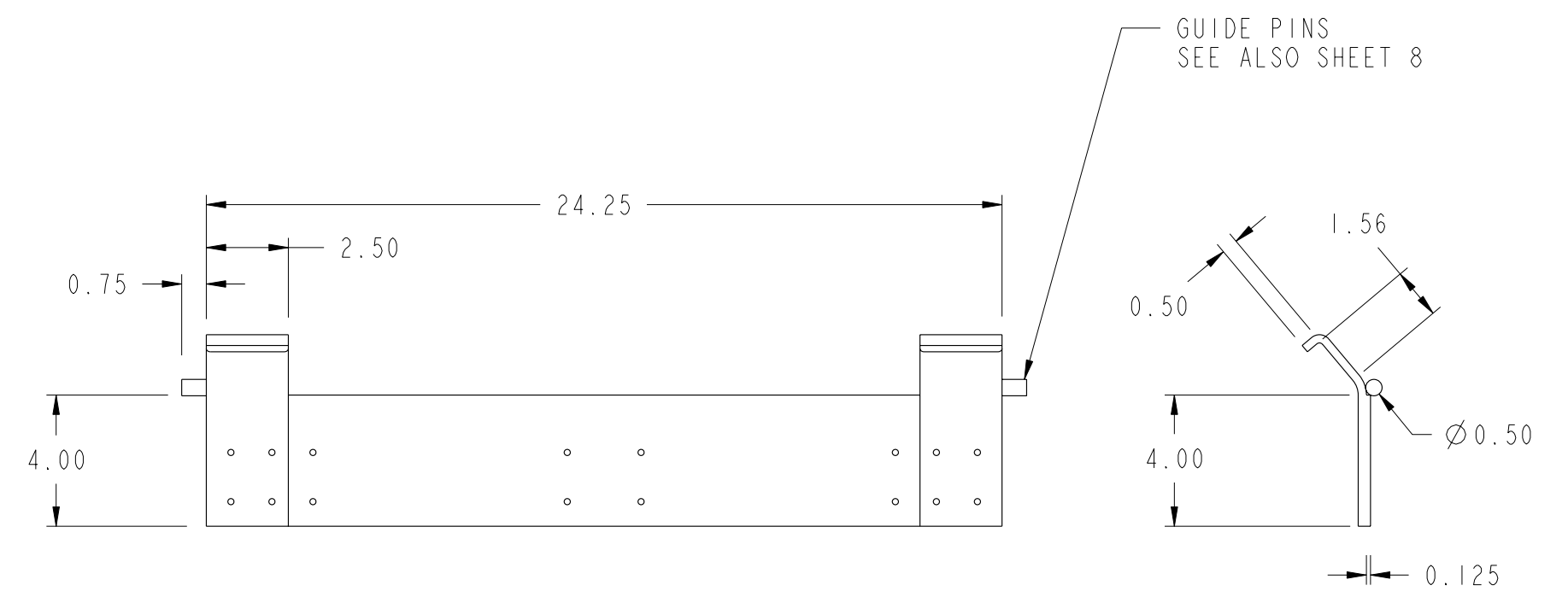
B

A

A

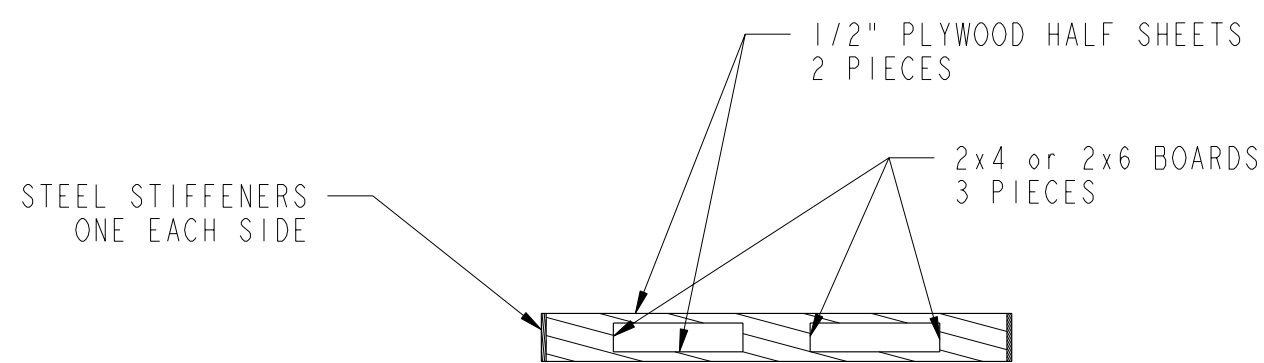


3D EXPLODED VIEW OF OPTIONAL RAMP ASSEMBLY
SCALE 0.100

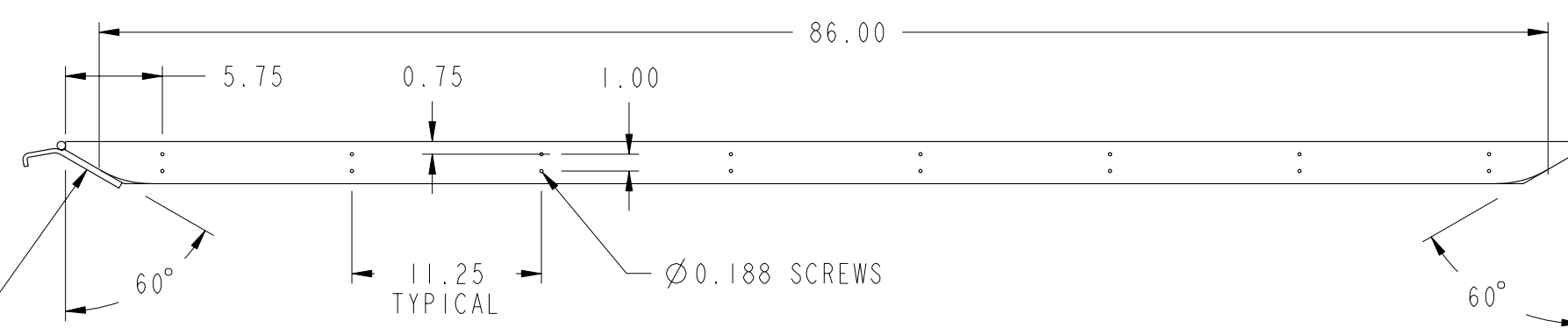


RAMP CATCH PLATE
SCALE 0.200

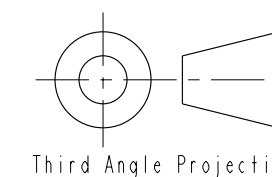
NOTE:
THIS RAMP CAN BE STORED UNDER THE 5 FOOT WIDE TRAILERS ALSO AT MechanicalElements.COM HOWEVER, THERE IS NOT ENOUGH WIDTH BESIDE THE TONG ON THE 4 FOOT WIDE TRAILERS



SECTION C-C
SCALE 0.100



FASTEN CATCH PLATE TO WOOD CORE WITH SCREWS WELD TO SIDE PLATES FOR ADDED STRENGTH



C

4x8 UTILITY TRAILER

REV: 03

SMu48D35C-P2

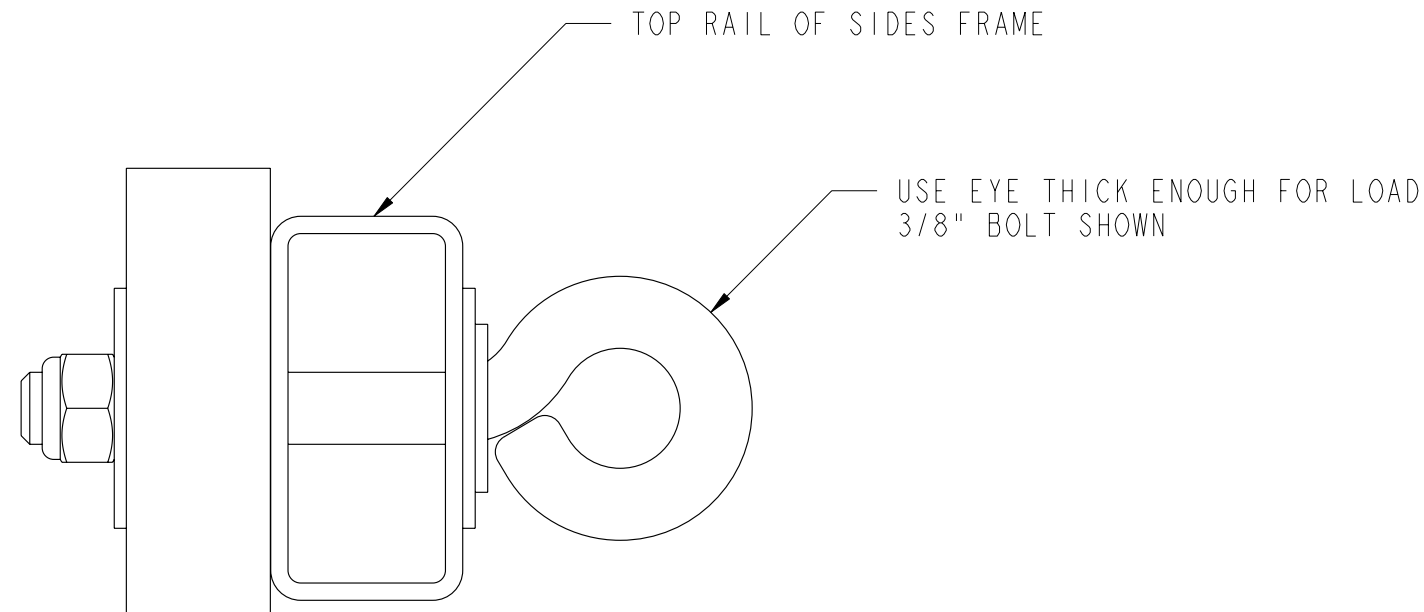
INCH

SHEET: 13 OF 18

4

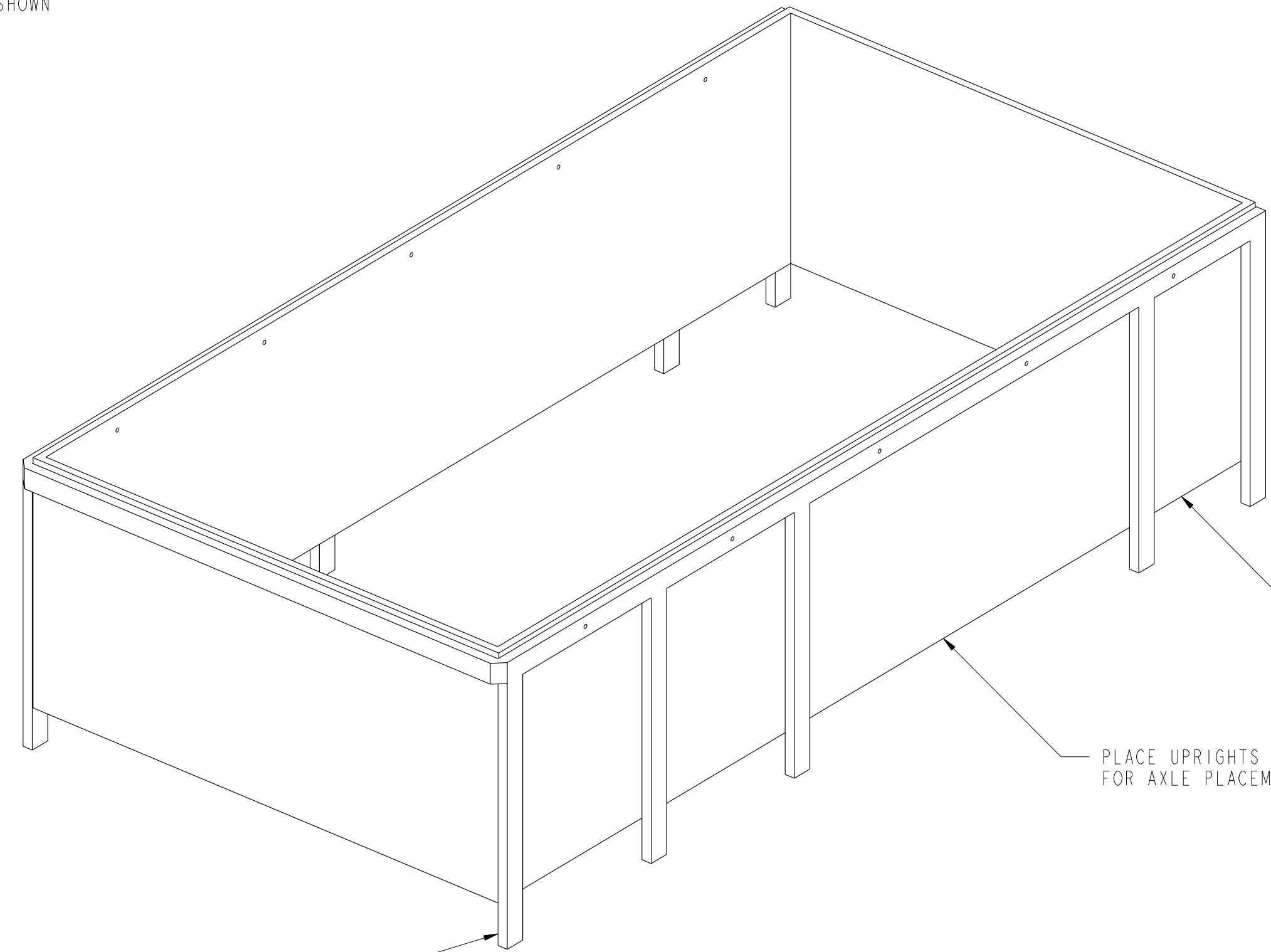
3

2



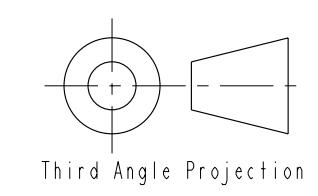
WELD-ON HOOKS MAY ALSO BE A GOOD CHOICE FOR TIE-DOWNS OTHER CHOICES ALSO EXIST

OPTIONAL TIE DOWN POINT USE EYE-BOLT THRU SIDES FRAME SCALE 1.000



SIDES MAY BE AS HIGH AS DESIRED

- NOTE:
1. SIDES FOR THIS TRAILER ARE OPTIONAL. SEE NEXT SHEET FOR MORE SIDE AND TOP OPTIONS.
 2. FRAME AROUND SIDES SHOWN USING 2"x 1" RECTANGULAR STEEL TUBING OTHER SIZES OR MATERIALS CAN BE SUBSTITUTED AS DESIRED
 3. 1/2" PLYWOOD LINER SHOWN. OTHER MATERIALS OR CONFIGURATIONS CAN BE SUBSTITUTED AS DESIRED.
 4. SUPPORT MEMBERS MAY BE WELDED (PERMANENT) OR BOLTED (REMOVABLE) TO TRAILER FRAME DEPENDING ON NEED.
 5. TAILGATE SHOWN IS OPTIONAL. TAILGATE MAY BE USED OR NOT, REMOVABLE OR HINGED OR NOT DEPENDING ON NEED.
 6. SEE CONSTRUCTION INSTRUCTIONS FOR MORE INFORMATION ON OPTIONS



C

4x8 UTILITY TRAILER		REV: 03
SMu48D35C-P2	INCH	SHEET: 14 OF 18

4

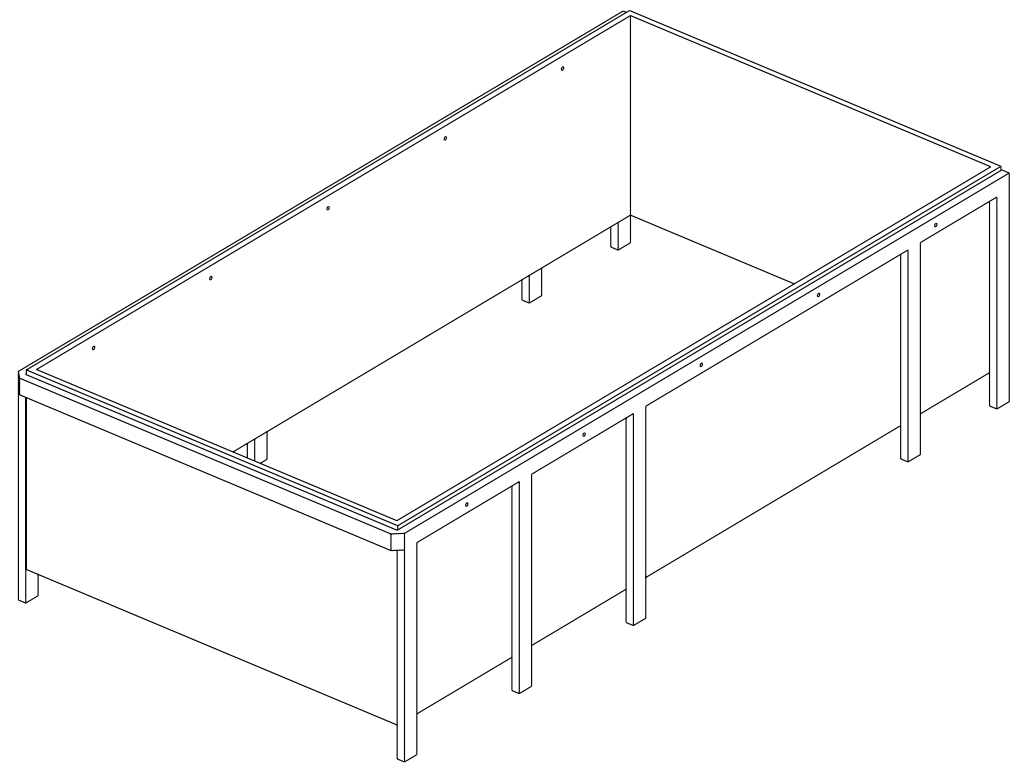
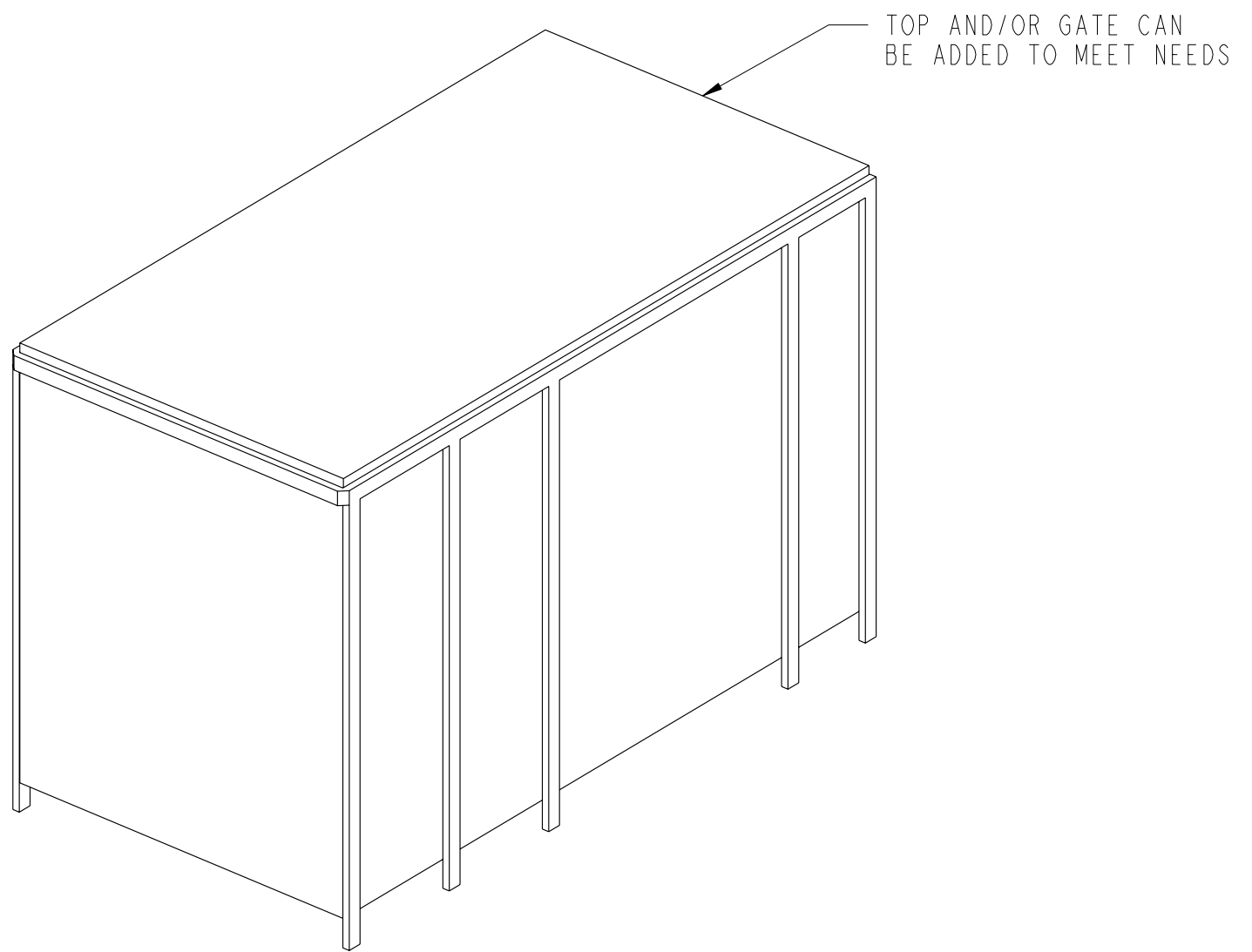
3

2

1

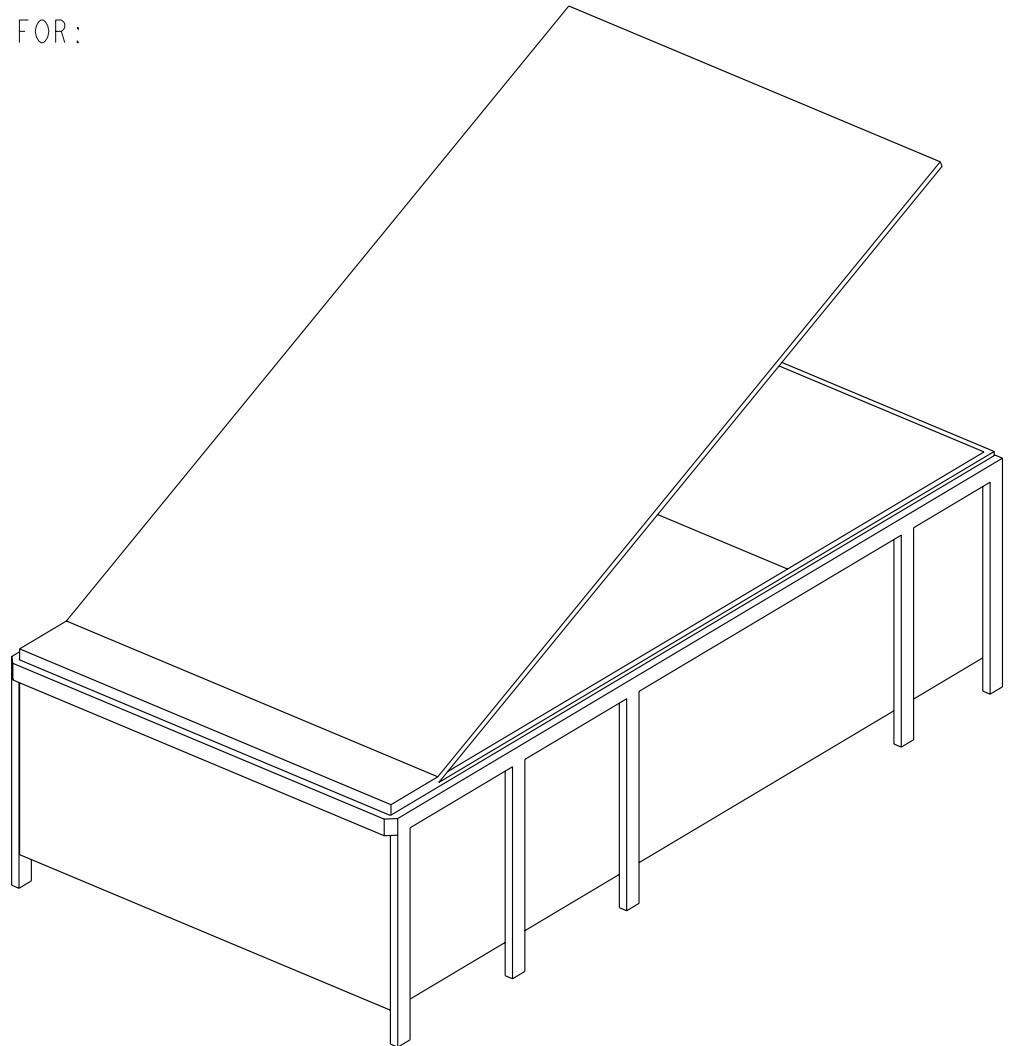
D

D



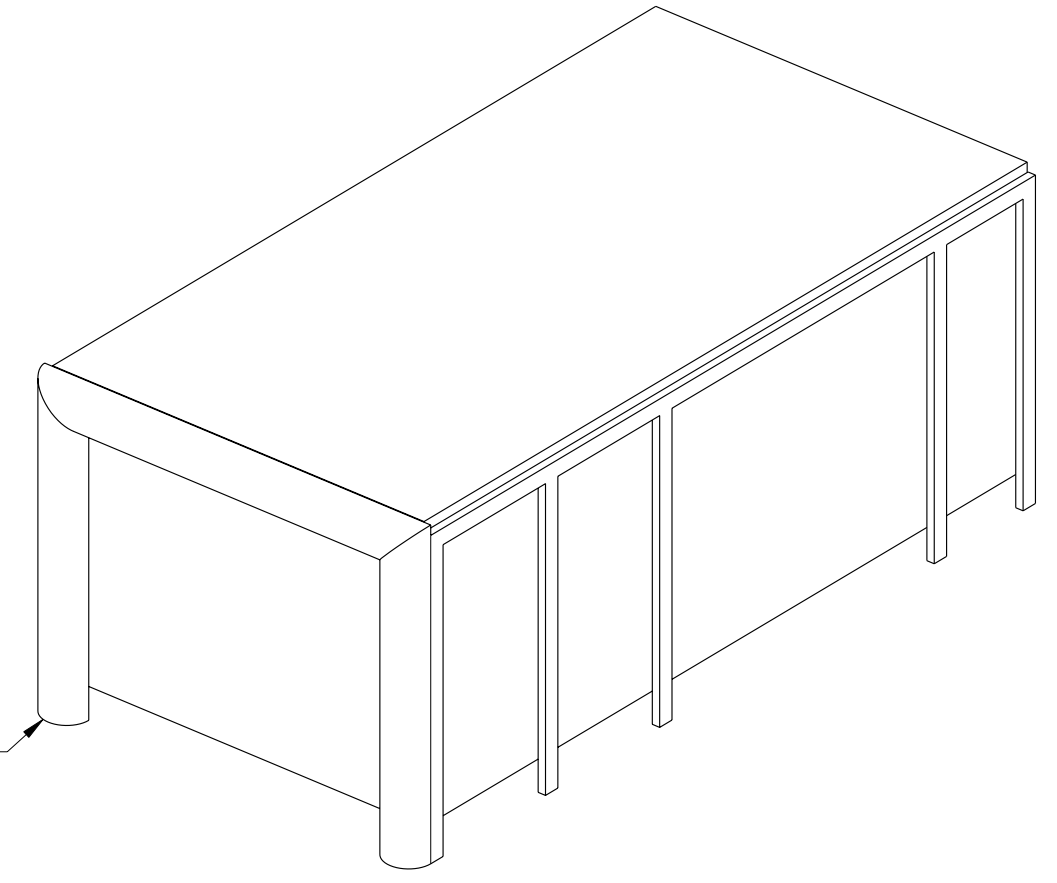
POSSIBLE CONFIGURATION FOR:
SIDES ONLY
SCALE 0.050

POSSIBLE CONFIGURATION FOR:
SIDES WITH TOP
SCALE 0.050



POSSIBLE CONFIGURATION FOR:
SIDES WITH OPENING TOP
SCALE 0.050

4" OR 6" PLASTIC PIPE
SPLIT LENGTH WISE



POSSIBLE CONFIGURATION FOR:
AERODYNAMIC FRONT
SCALE 0.050

C

C

B

B

A

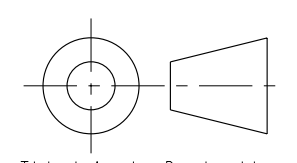
A

4

3

2

1



Third Angle Projection

C

4x8 UTILITY TRAILER

REV: 03

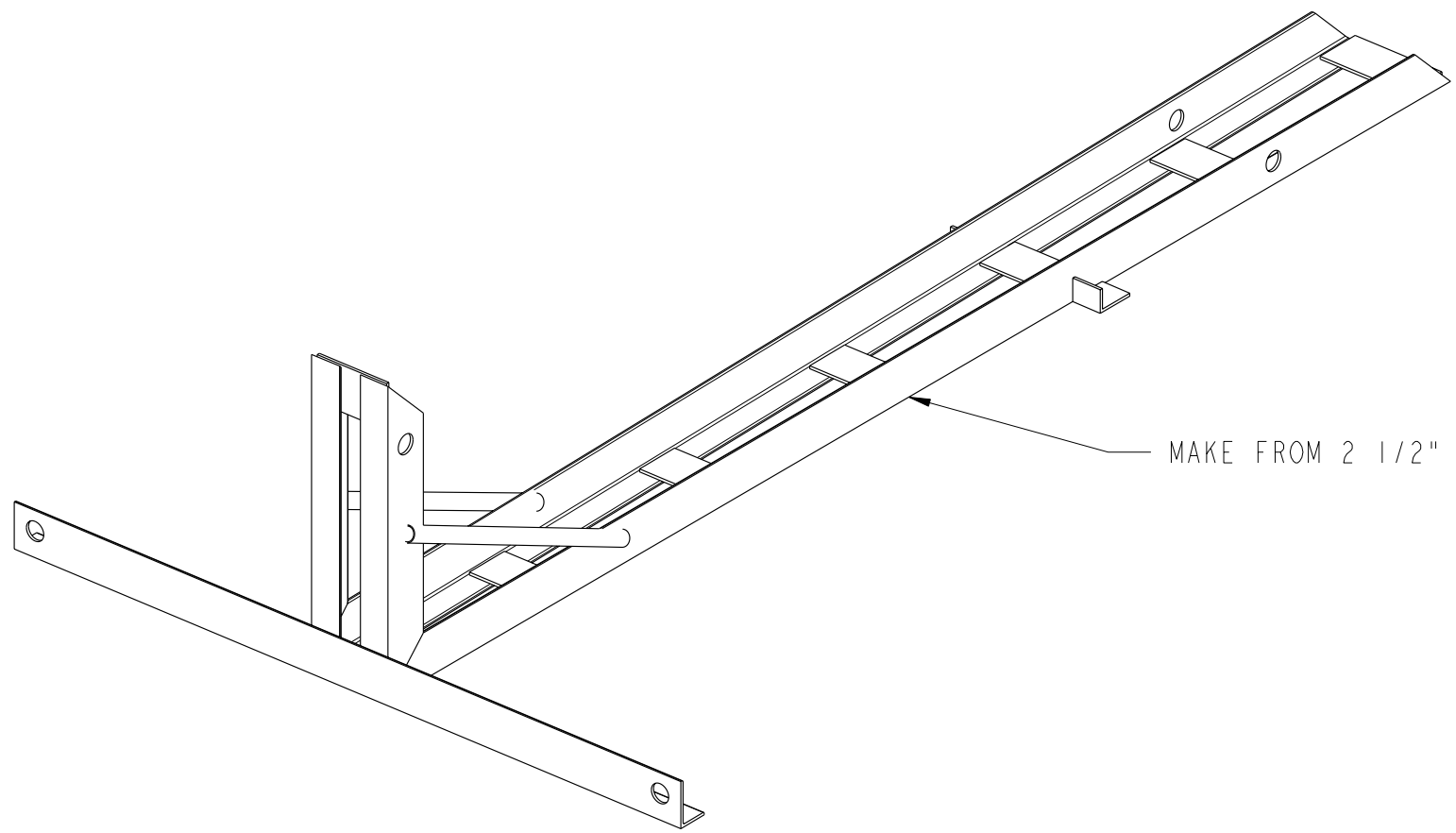
SMu48D35C-P2

INCH

SHEET: 15 OF 18

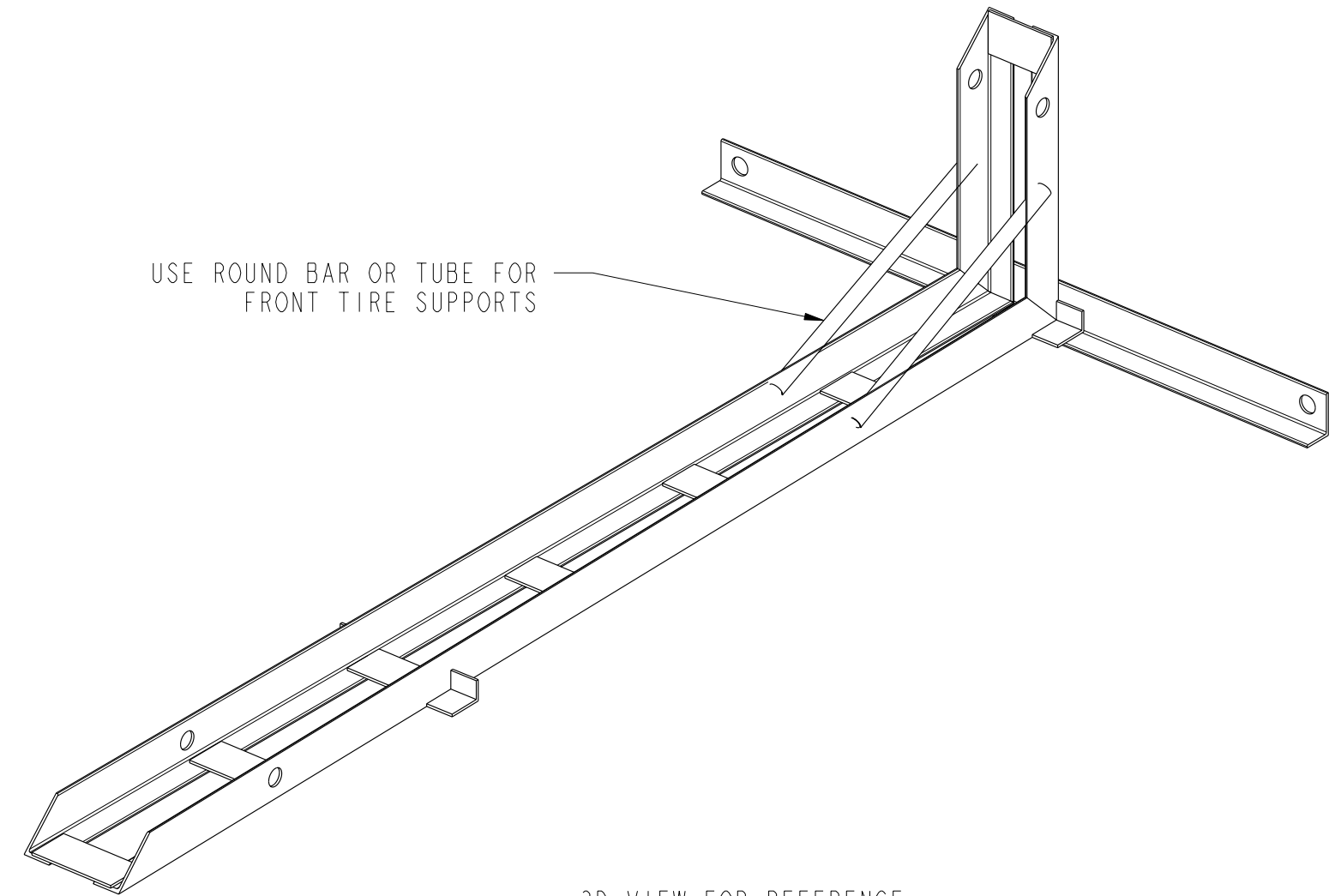
Copyright 2003. All rights reserved.

MechanicalElements.com



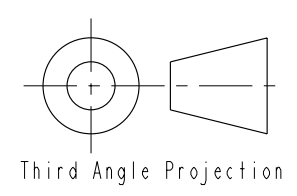
3D VIEW FOR REFERENCE
OPTIONAL CYCLE STAND
SCALE 0.100

MAKE FROM 2 1/2" X 1 1/2" X 3/16" ANGLE



USE ROUND BAR OR TUBE FOR
FRONT TIRE SUPPORTS

3D VIEW FOR REFERENCE
OPTIONAL CYCLE STAND
SCALE 0.100



Third Angle Projection

C

4x8 UTILITY TRAILER

REV: 03

SMu48D35C-P2

INCH

SHEET: 16 OF 18

Copyright 2003. All rights reserved.

1

MechanicalElements.com

4

3

2

1

D

D

C

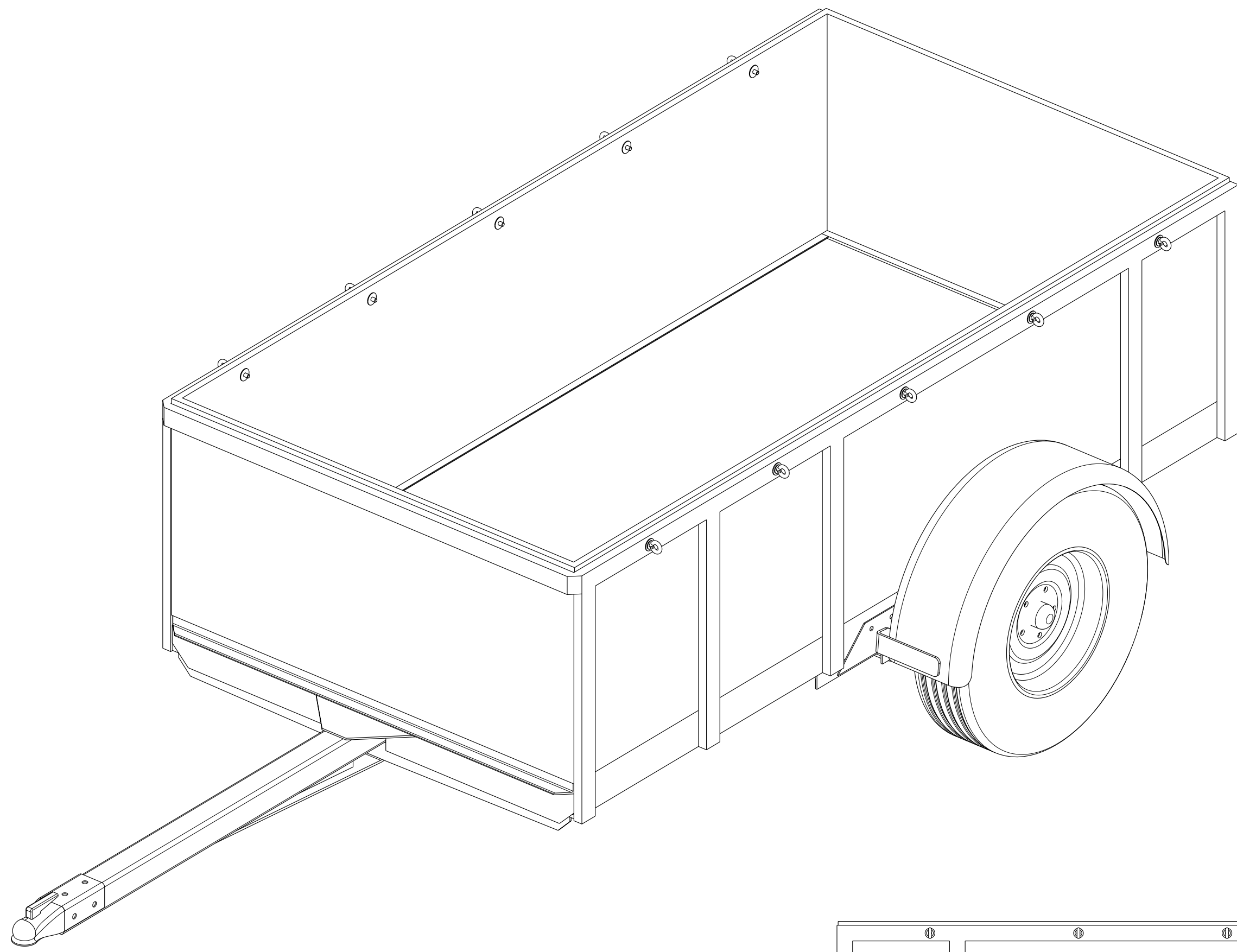
C

B

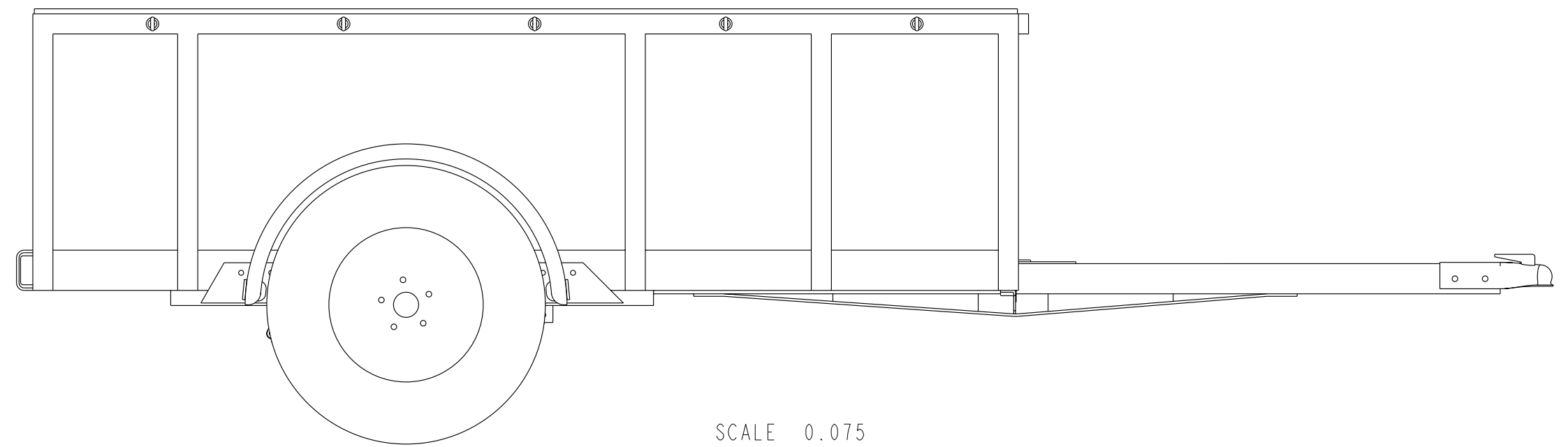
B

A

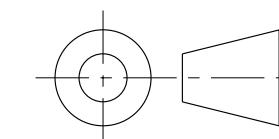
A



SCALE 0.100



SCALE 0.075



Third Angle Projection

C

4x8 UTILITY TRAILER

REV: 03

SMu48D35C-P2

INCH

SHEET: 17 OF 18

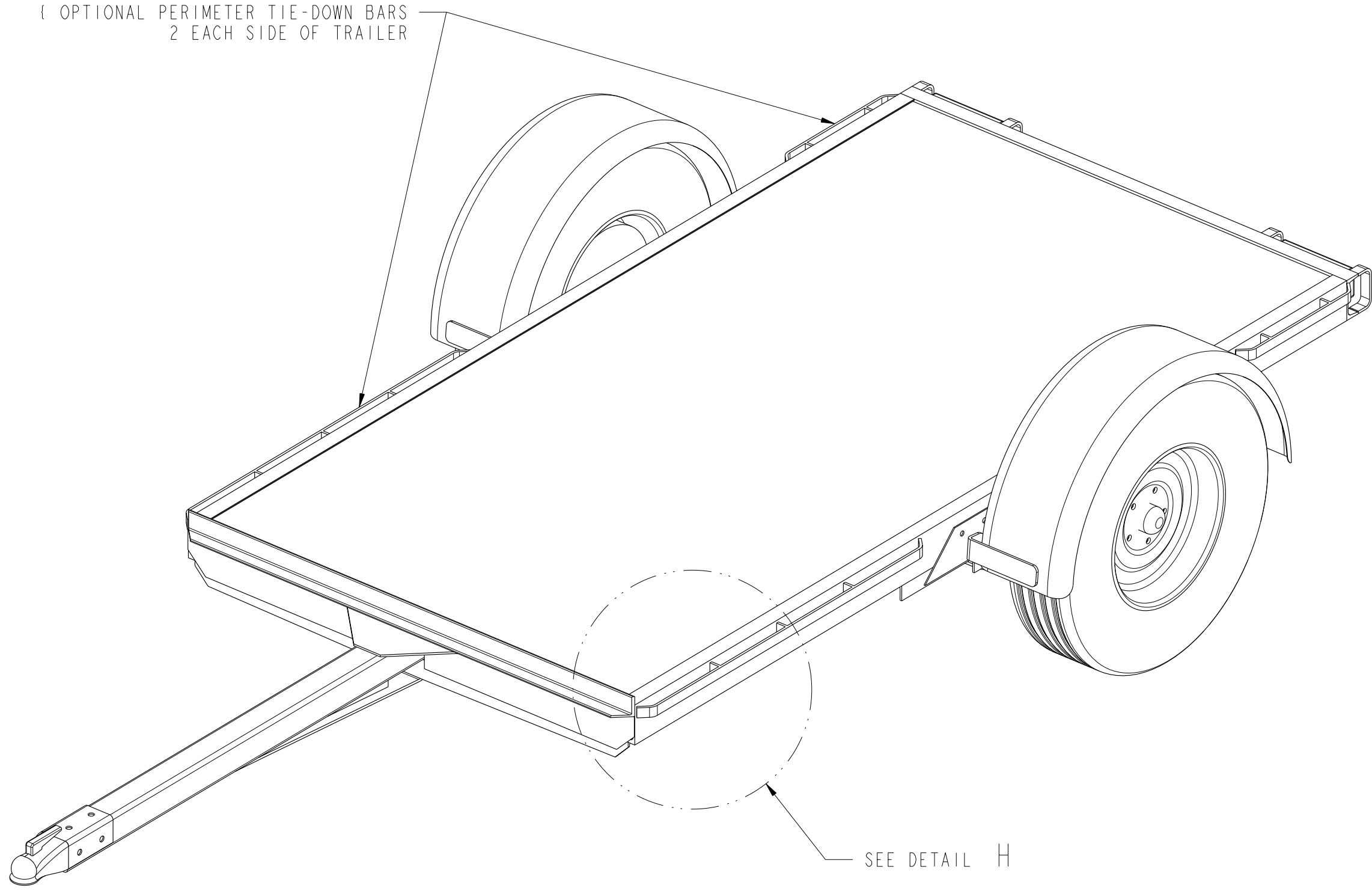
Copyright 2003.

All rights reserved.

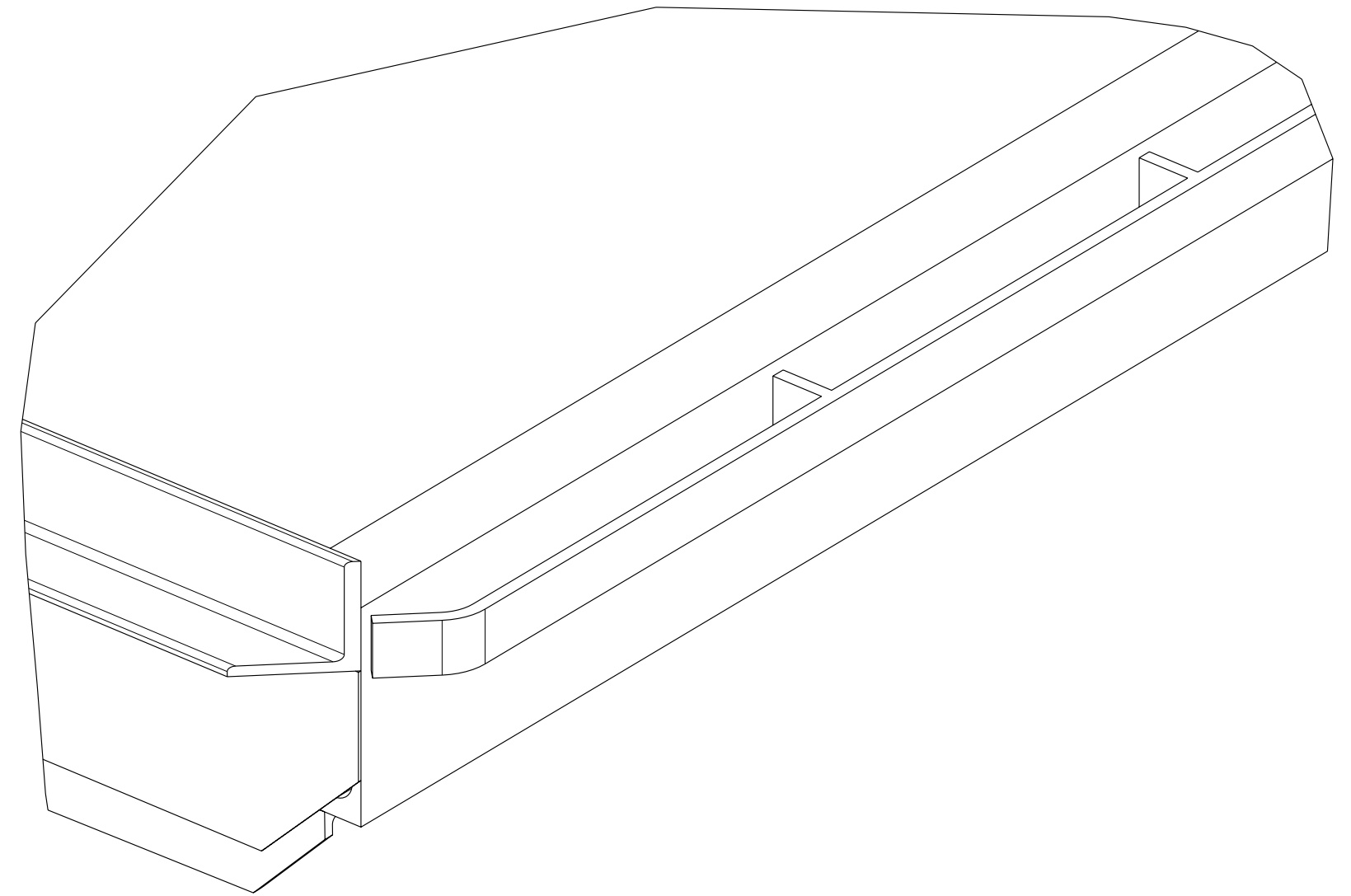
1

MechanicalElements.com

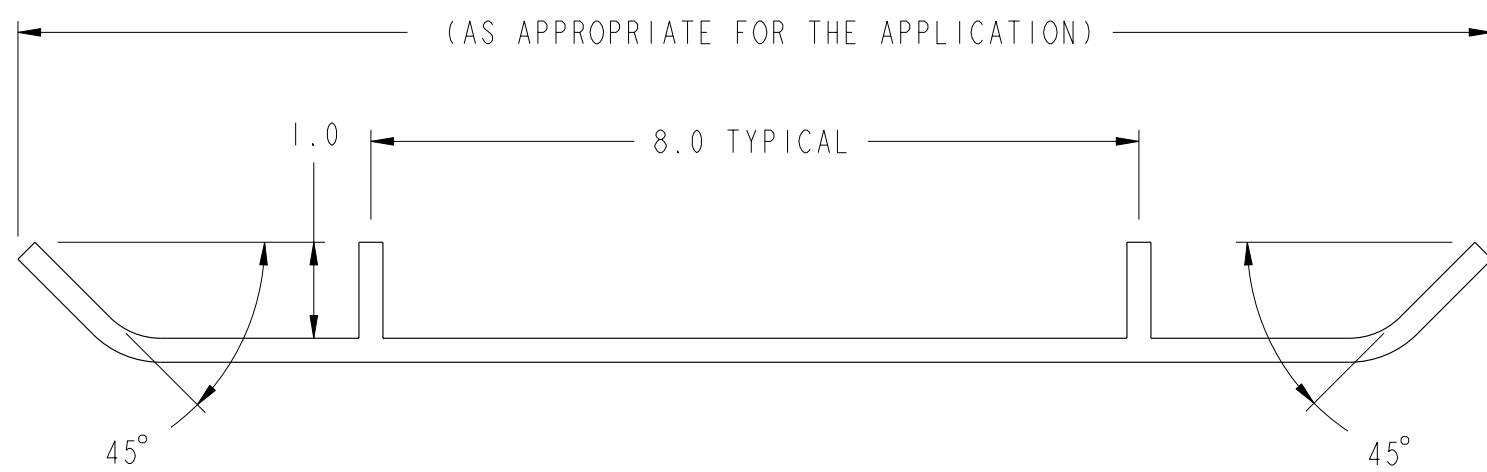
1 OPTIONAL PERIMETER TIE-DOWN BARS
2 EACH SIDE OF TRAILER



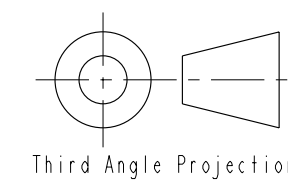
3D VIEW FOR REFERENCE
SCALE 0.100



DETAIL H
SCALE 0.400



OPTIONAL TIE-DOWN BAR
VARY SIZE TO FIT INDIVIDUAL REQUIREMENTS
DIMENSIONS ARE AS SHOWN FOR REAR BAR
SCALE 0.500



Third Angle Projection

C

4x8 UTILITY TRAILER

REV: 03

SMu48D35C-P2

INCH

SHEET: 18 OF 18