

Butcher Block/Microwave Oven Table

LIST OF MATERIALS

(finished dimensions in inches)

A	Leg (4)	1-3/4 x 1-3/4 x 34
B	Upper end rail (2)	3/4 x 4 x 18-3/4
C	Lower end rail (2)	3/4 x 2-1/2 x 18-3/4
D	Drawer guide (2)	5/8 x 3/4 x 19-1/2
E	Upper back rail	3/4 x 4 x 24-3/4
F	Lower back rail & front rail (2)	3/4 x 2-1/2 x 24-3/4
G	Shelf	3/4 x 22 x 27-3/4
H	Drawer front	3/4 x 4 x 24-5/8
J	Drawer back	1/2 x 3-1/2 x 24-1/8
K	Drawer sides (2)	1/2 x 3-1/2 x 18
L	Drawer bottom	1/4 x 17-1/2 x 24-1/8 (plywood)
M	Knife block (2)	3/4 x 6 x 9
N	Knife block Spacer	5/8 x 5 x 4
P	Butcher block top pieces (28)	3/4 x 2 x 28-1/2
Q	Top facing (2)	3/4 x 2 x 32-1/2
R	Handle dowel	1 dia. x 22-1/2 long

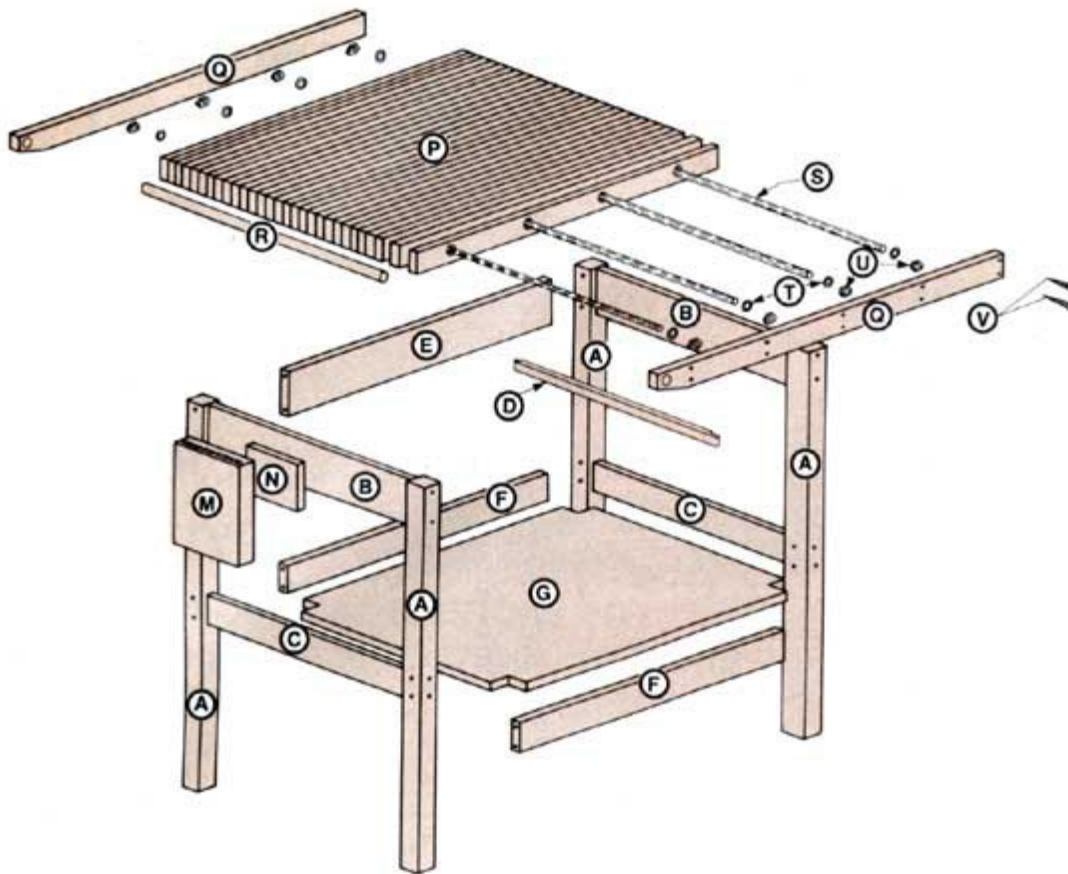
HARDWARE

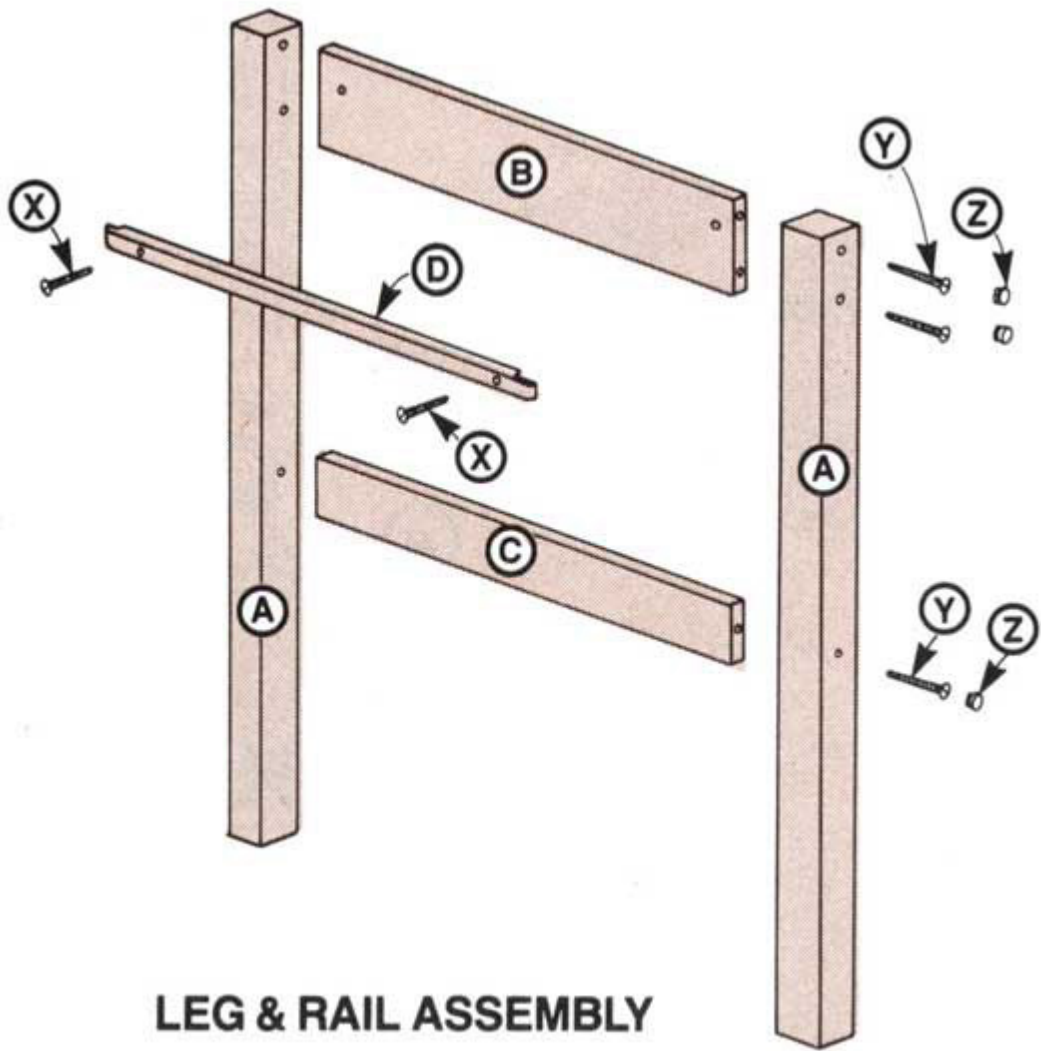
S	Threaded rods (4)	3/8 dia. (16 pitch) x 21 long
T	Washers (8)	3/8 I.D.
U	Nuts (8)	3/8 - 16 pitch
V	Flathead wood screws (36)	1-1/2 x #8
W	Dowel plugs (20)	3/8 dia.
X	Flathead wood screws (14)	1-1/4 x #6
Y	Flathead wood screws (32)	1-3/4 x #8
Z	Dowel buttons (32)	3/8 dia.
AA	Drawer pull	

OPTIONAL STORAGE UNIT

BB	Wire brads (1 oz)	1 - #18
CC	Top & bottom (2)	1/2 x 16-3/4 x 23-1/2 (plywood)
DD	Sides (2)	1/2 x 11-1/2 x 17 (plywood)
EE	Back	1/2 x 11-1/2 x 23-1/2 (plywood)
FF	Vertical divider	1/2 x 7 x 16-3/4 (plywood)
GG	Veneer tape (3)	1/2 x 23
HH	Veneer tape (2)	1/2 x 11-1/2
JJ	Veneer tape (2)	1/2 x 17
KK	Veneer tape	1/2 x 7

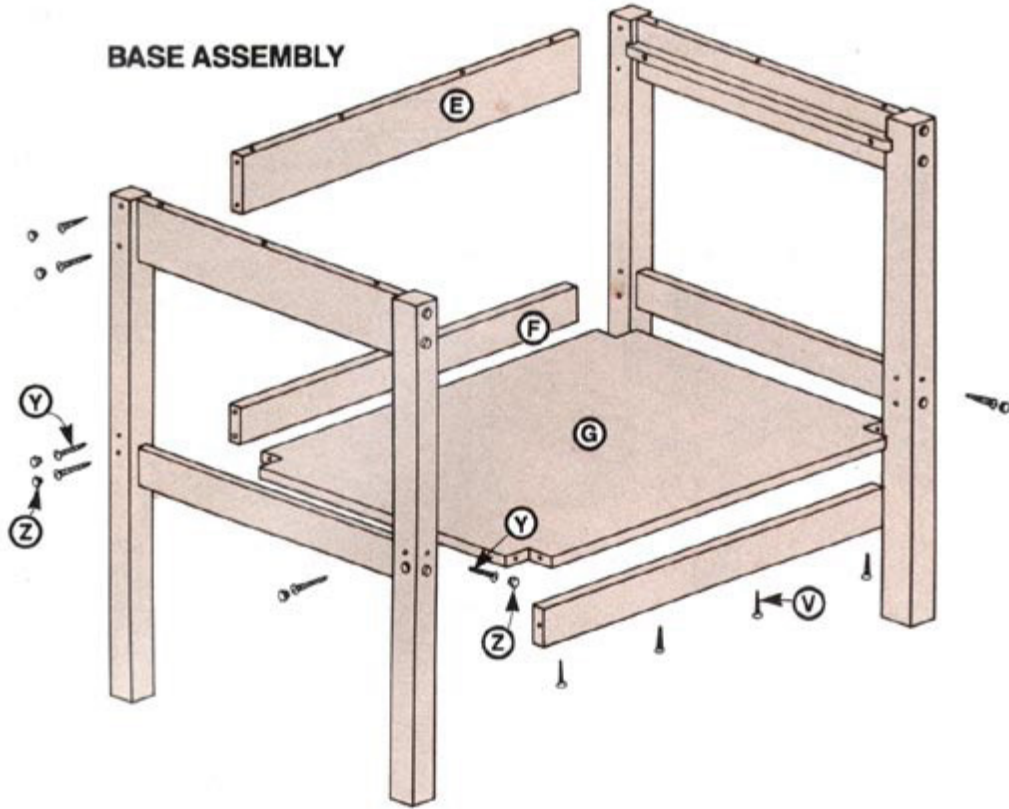
Table Assembly



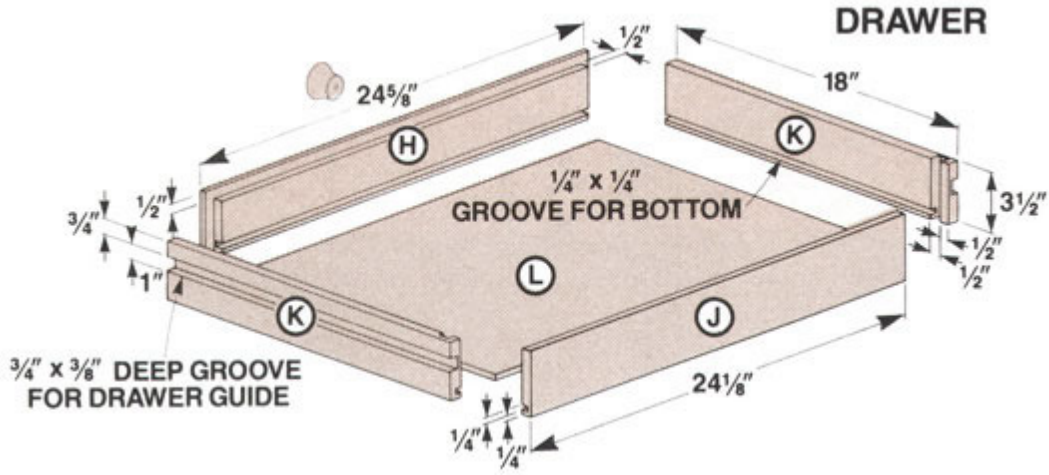


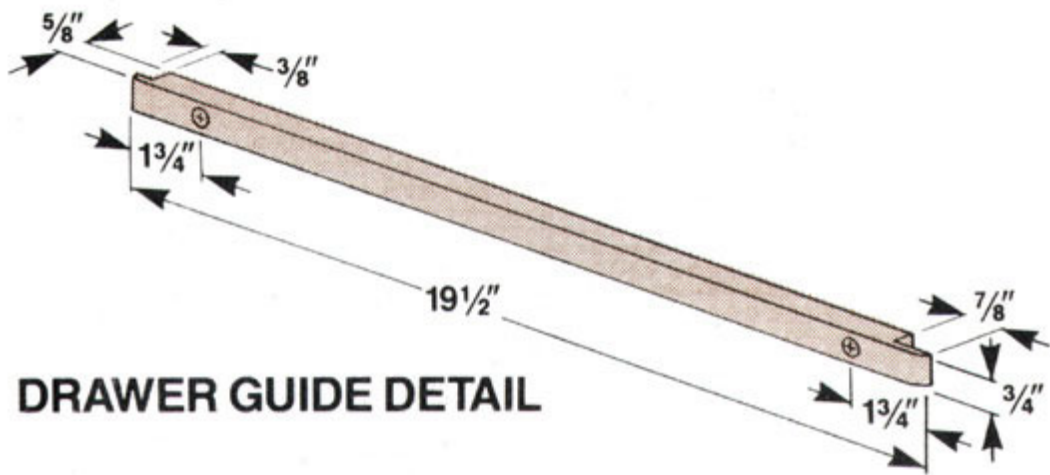
LEG & RAIL ASSEMBLY

BASE ASSEMBLY

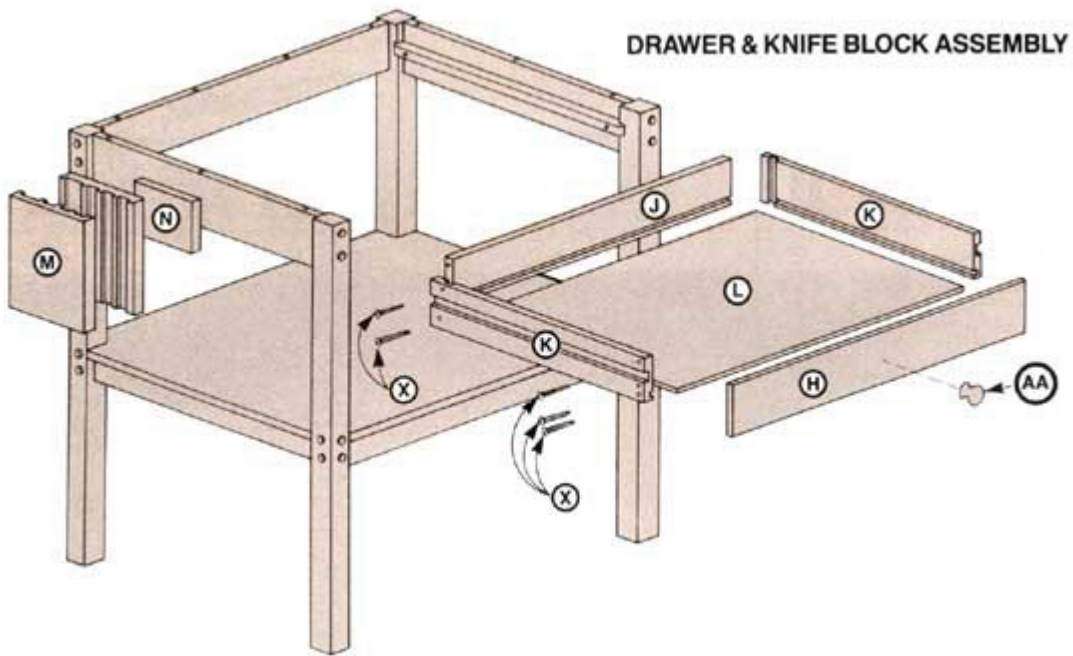


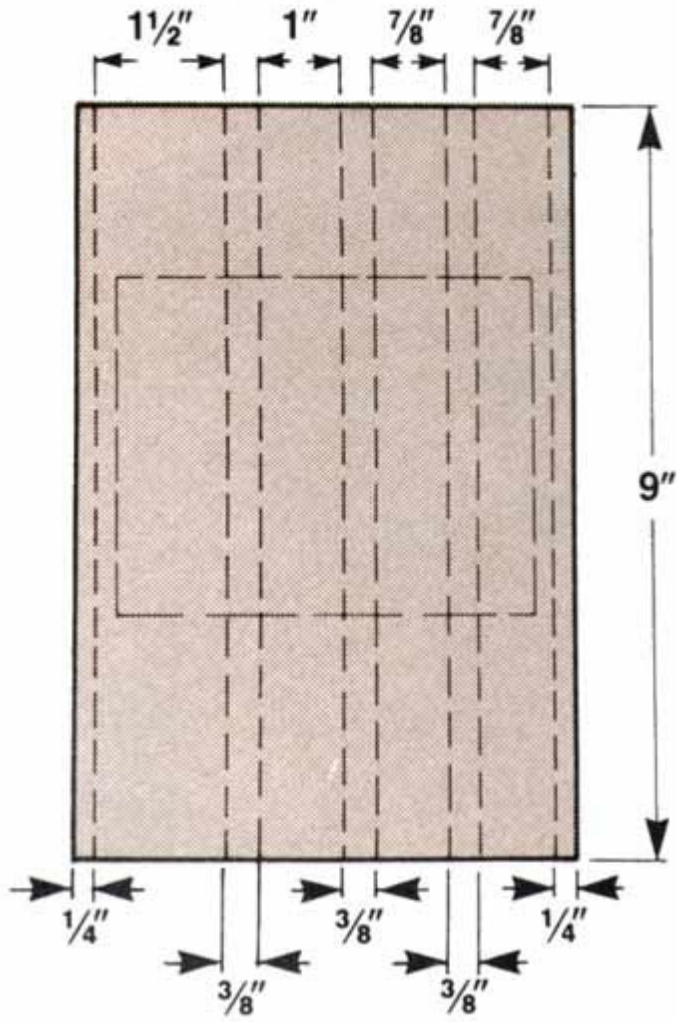
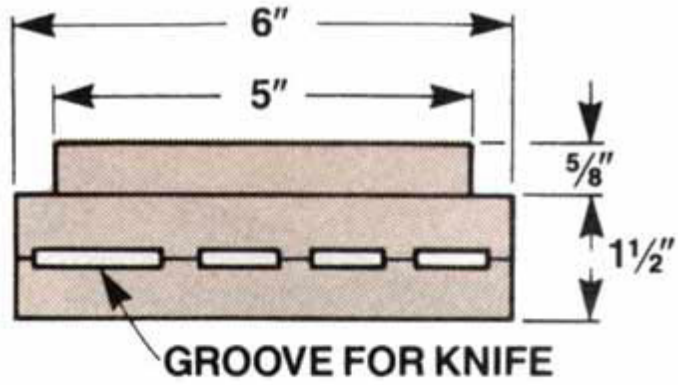
DRAWER





DRAWER GUIDE DETAIL





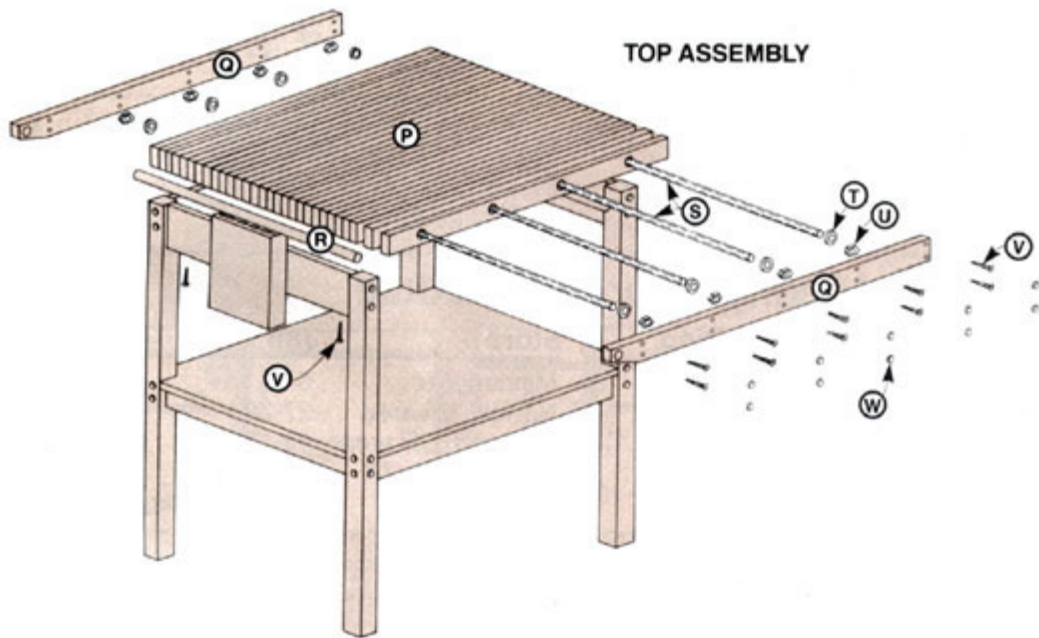
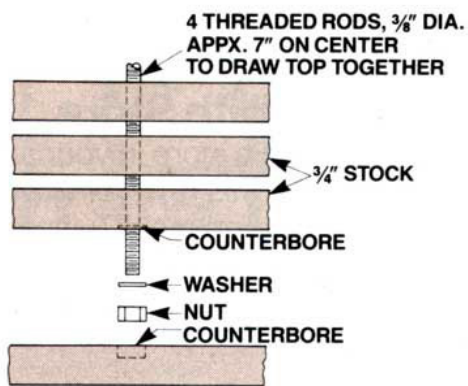
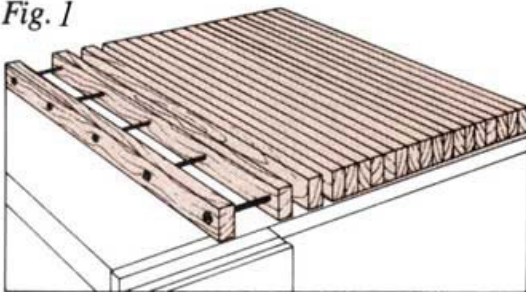
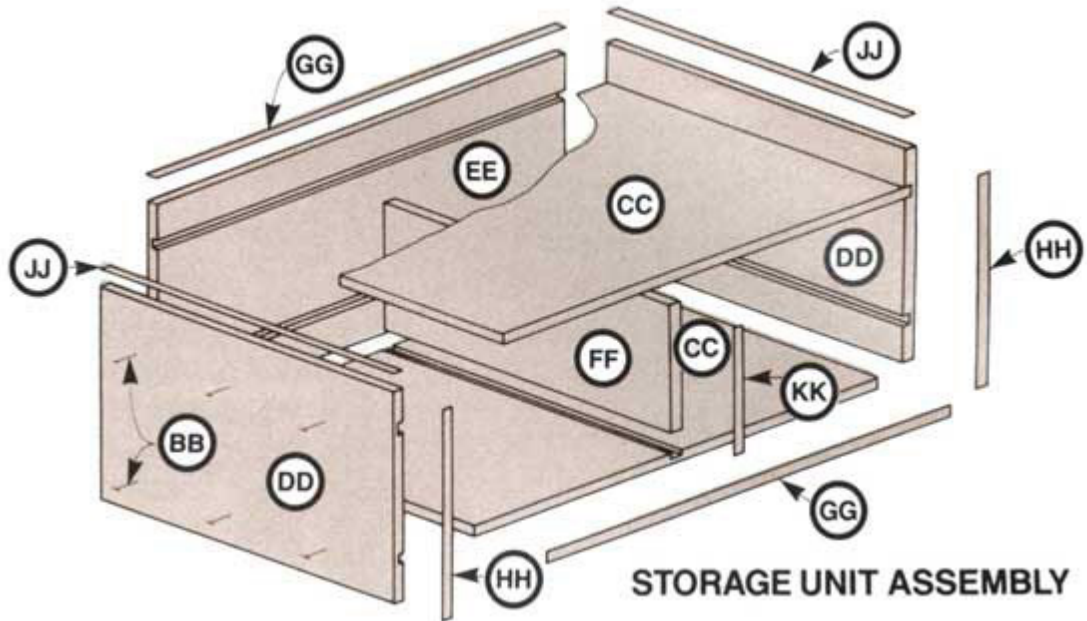


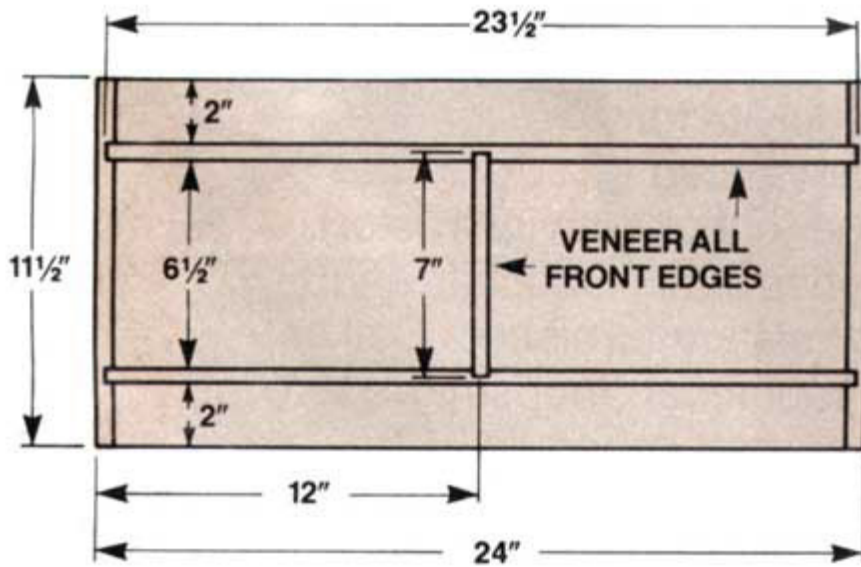
Fig. 1

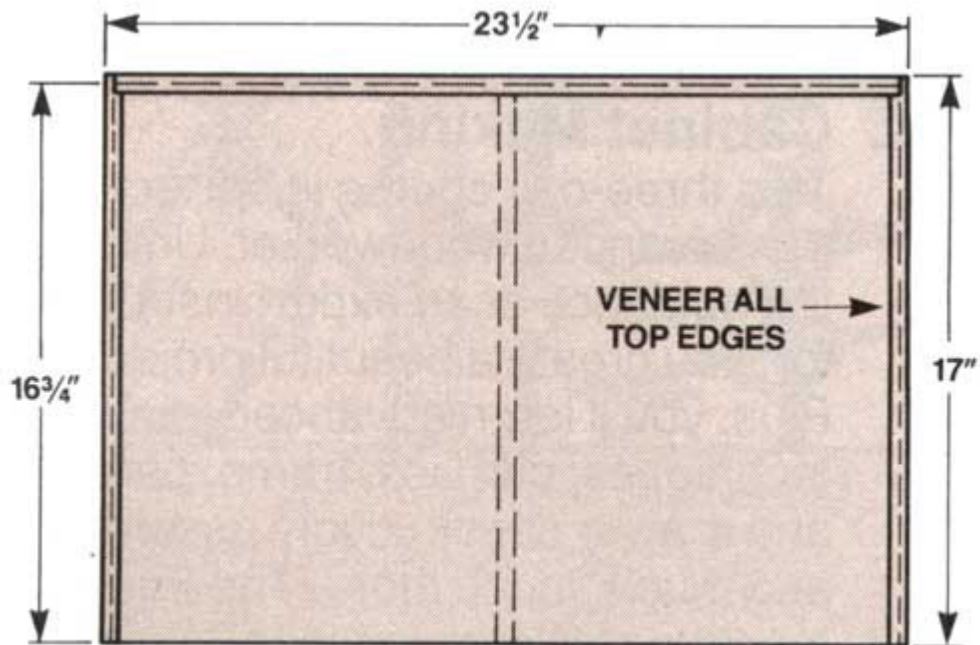


DETAIL A
TOP CONSTRUCTION



ASSEMBLE WITH 1" - #18 BRADS





STORAGE UNIT (OPTIONAL)

STAND LAYOUT

