

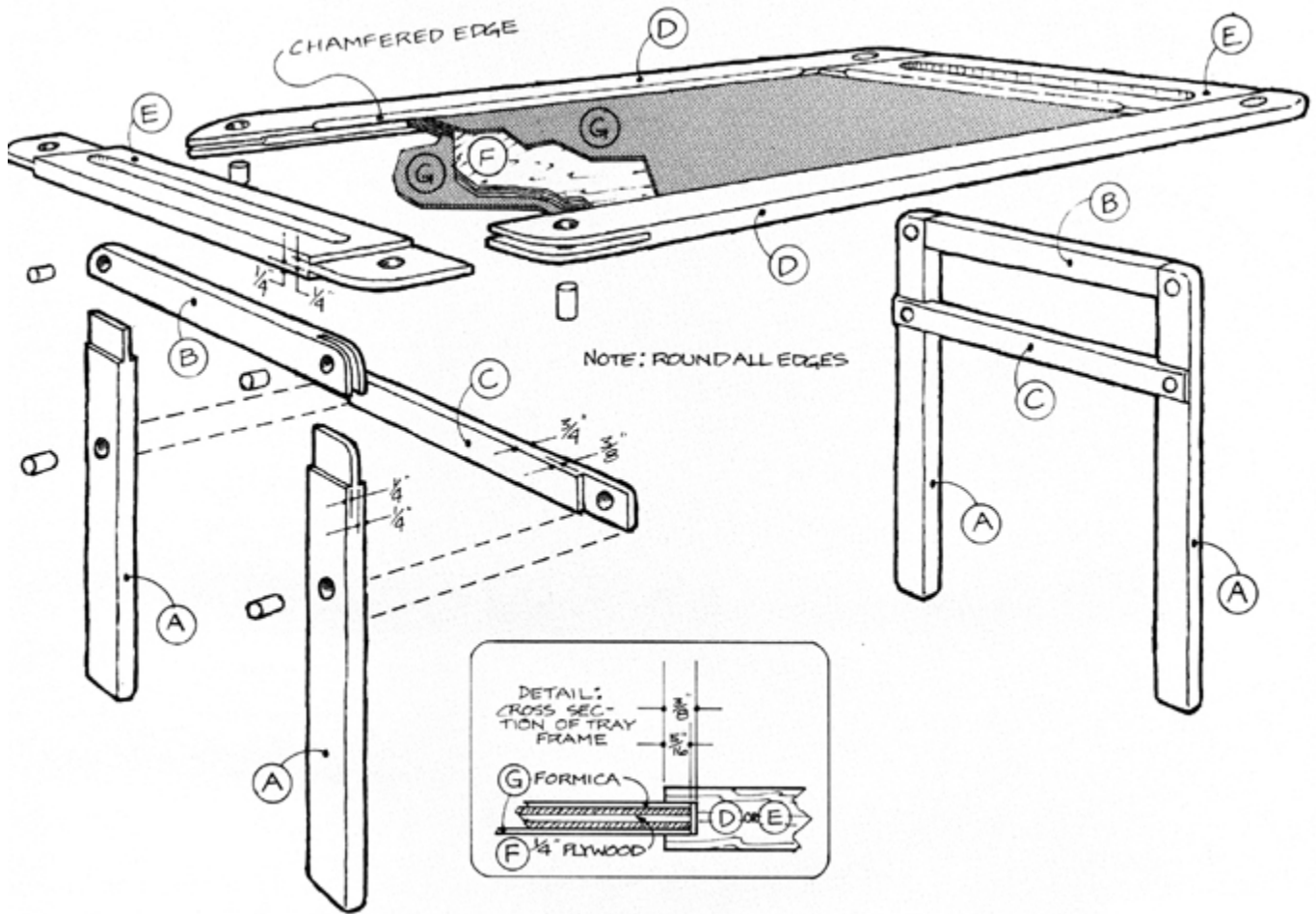
## Project 19848EZ: Breakfast Tray

*What a luxurious way to start the day - breakfast in bed. This attractive contemporary styled serving tray features a Formica top and legs that pull out of the tray to permit easy storage. Once disassembled, the three parts can be conveniently hung on a kitchen wall or stored flat in a cabinet. Ours is made from ash, since this wood takes well to washing and scrubbing, although we think oak would also look good with this piece. The open mortise and tenon joints are both strong and attractive. A 5/8" diameter teak pin in each joint adds further to the strength and appearance.*

### Breakfast Tray Materials List

Part	Description	Size	No. Req'd
A	Leg	3/4" x 1-1/2" x 14"	4
B	Handle	3/4" x 1" x 12"	2
C	Table Support	3/4" x 1" x 12"	2
D	Front and Back Frame	3/4" x 1-1/4" x 24"	2
E	Side Frame	3/4" x 2-1/4" x 16"	2
F	Tray	3/4" x 14-1/8" x 20-1/8"	1
G	Formica	As required.	

# Breakfast Tray Complete Schematic





13. Use a ruler to draw guide lines connecting the two holes.
14. Use a saber saw, and working carefully to make sure the cut is straight, cut out the waste material. **NOTE: If parts A and B are slightly thicker 3/4", the width of the slot should be adjusted accordingly.**
15. Use a round file to expand the hole if needed.
16. Select 1/4" birch plywood to make the tray (part F).
17. Cut the tray to length and width.
18. Apply Formica to both the top and bottom of the tray..
19. Use a router to cut the grooves in parts E and D, each 3/8" deep with a width that allows for a slip fit of the Formica top and **STOPPED ON EACH END.**
20. Sand all parts (except the Formica top) before assembly.
21. Assemble by joining with glue and clamps.
22. Use a plug cutter to cut 1/2" diameter pins from a wood with a contrasting color.
23. Final sand all parts.
24. Assemble by slipping the leg unit (parts A, B, and C) easily into the slot in part E.
25. Try out the tray by sitting with it in bed. You may want to make height adjustments.
26. Apply a coat of Watco Danish Oil to complete the project.

---

These plans were originally published in Volume 6, Issue 5 of *The Woodworker's Journal* (Sept./Oct. 1982, page 28).