



China Hutch

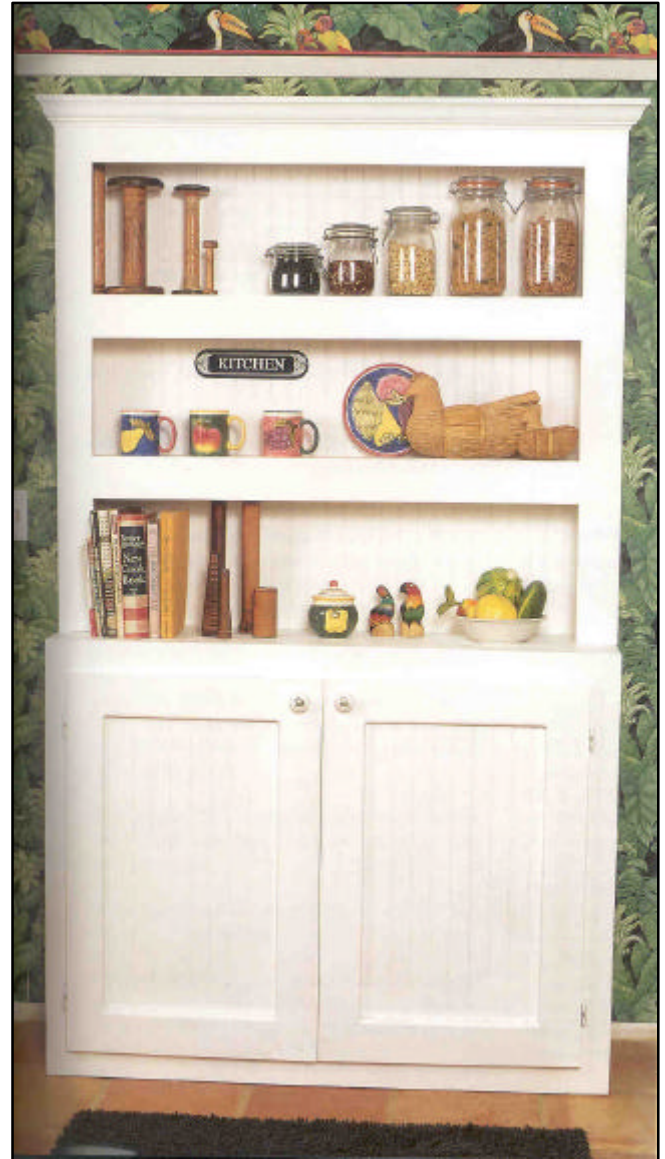
This charming hutch brightens our kitchen and provides space for cookbooks, coffee cups, and pasta jars. The lower cabinet is large enough to store all those oversized containers that won't fit anywhere else.

Materials List

- 4 linear feet of 1 x 2 pine
- 48 linear feet of 1 x 4 pine
- 20 linear feet of 1 x 6 pine
- 18 linear feet of 1 x 12 pine
- 1-1/2 sheets of 1/4" beaded plywood
- 6 linear feet of 4"-wide crown molding

Hardware

- 44 3/4" wire brads
- 18 1" 2d finishing nails
- 110 1-1/4" 3d finishing nails
- 98 1-1/2" wood screws
- 12 2" wood screws
- 2 molly bolts
- 4 cabinet hinges
- 2 door pulls
- 2 cabinet catches



Cutting List

Code	Description	Qty	Materials	Dimensions
A	Cabinet Top/Bottom	2	1 x 12 pine	48" long
B	Cabinet Sides	2	1 x 12 pine	34-1/2" long
C	Cabinet Shelf	1	1 x 12 pine	46-1/2" long
D	Cabinet Top/Bottom Trim	2	1 x 4 pine	48" long
E	Cabinet Side Trim	2	1 x 4 pine	29" long
F	Reinforcing Blocks	4	1 x 2 pine	2-1/2" long
G	Cabinet Back	1	1/4" plywood	36" x 48"
H	Top/Bottom Door Trim	4	1 x 4 pine	21-1/2" long
I	Side Door Trims	4	1 x 4 pine	24" long
J	Door Panel	2	1/4-inch-thick	19" x 28-1/2"
K	Hutch Top	1	1 x 6 pine	48" long
L	Hutch Side	2	1 x 6 pine	41-1/2" long
M	Hutch Shelf	2	1 x 6 pine	46-1/2" long
N	Hutch Side Trim	2	1 x 4 pine	42-1/4" long
O	Hutch Top Trim	1	1 x 4 pine	41" long
P	Hutch Shelf Trim	2	1 x 4 pine	41" long
Q	Reinforcing Blocks	6	1 x 2 pine	2-1/2" long
R	Hutch Back	1	1/4-inch-thick	48 x 42-1/2 inches

Constructing the Lower Cabinet

1. Cut two cabinet top/bottom (A) from 1 x 12 pine, each measuring 48 inches long.
2. Cut two cabinet sides (B) from 1 x 12 pine, each measuring 34-1/2 inches long.
3. Place the cabinet top/bottoms (A) parallel to each other, and 34-1/2 inches apart. Fit the two cabinet sides (B) between the two cabinet top/bottoms, to form a rectangle measuring 36 x 48 inches, as shown in *Figure 1*. Screw through the cabinet top/bottoms (A) into the ends of the cabinet sides (B). Use three 1-1/2-inch screws on each of the joints.

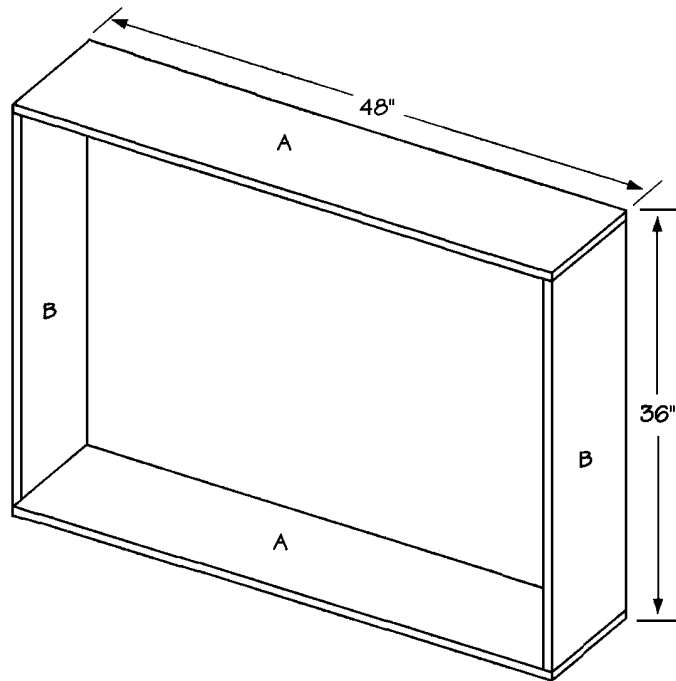


Figure 1

4. Cut one cabinet shelf (C) from 1 x 12 pine, measuring 46-1/2 inches long.
5. Center the cabinet shelf (C) between the two cabinet top/bottoms (A), as shown in *Figure 2*. Screw through the cabinet sides (B) into the ends of the cabinet shelf (C) using 1-1/2-inch screws. Use three screws on each joint.
6. Cut two cabinet top/bottom trims (D) from 1 x 4 pine, each measuring 48 inches long.
7. Apply glue to the meeting surfaces, and attach one cabinet top/bottom trim (D) to the front edge of the cabinet top/bottom (A), as shown in *Figure 3*. Screw through the cabinet top/bottom trim (D) into the edge of the cabinet top/bottom (A), using 1-1/2-inch screws spaced approximately every 6 inches.
8. Repeat Step 7 to attach the remaining cabinet top/bottom trim (D) to the front edge of the remaining cabinet top/bottom (A). Cut two cabinet side trims (E) from 1 x 4 pine, each measuring 29 inches long.

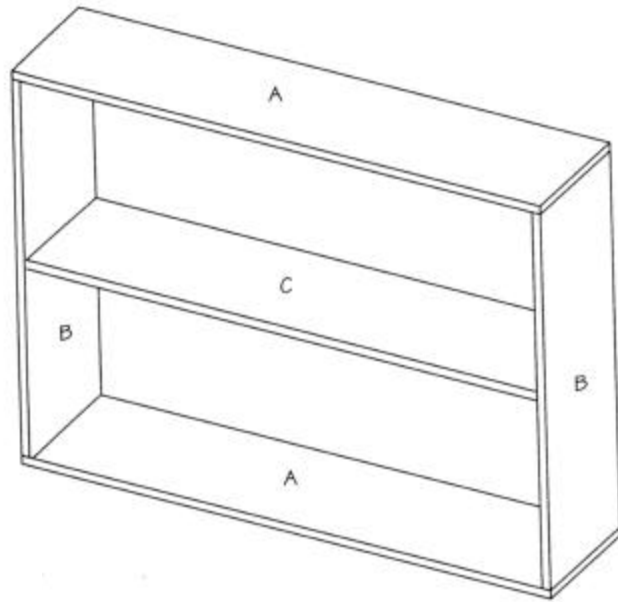


Figure 2

9. Apply glue to the edge of one cabinet side (B) and attach one cabinet side trim (E) to the edge of one cabinet side (B), as shown in *Figure 3*. Use 1-1/2-inch screws and space them approximately 6 inches apart.

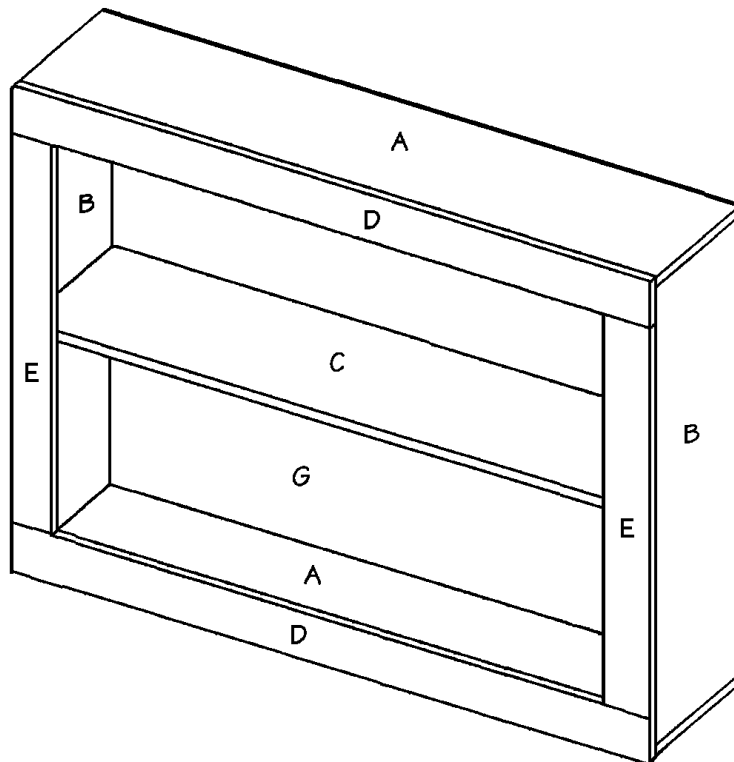
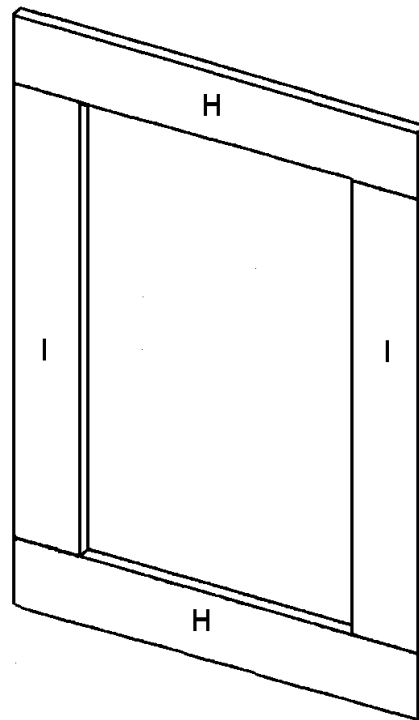


Figure 3

10. Repeat Step 10 to attach the remaining cabinet side trim (E) to the remaining cabinet side (B).
11. Cut four reinforcing blocks (G) from 1 x 2 pine, each measuring 2-1/2 inches long.
12. Place the cabinet trim side down, and fit one reinforcing block (F) inside the upper left corner of the cabinet across the joint between the cabinet top/bottom trim (D) and the cabinet side trim (E). Apply glue to the reinforcing block (F) and nail it over the joint, placing one 1-1/4-inch nail on each side of the joint.
13. Repeat Step 13 three more times to attach the remaining three reinforcing blocks (F) over the remaining three joints in the corners of the cabinet.
14. Cut one cabinet back (G) from 1/4-inch-thick plywood, measuring 36 x 48 inches.
15. Fit the cabinet back (G) over the back of the cabinet, as shown in *Figure 3*. Apply glue to the meeting surfaces, and nail through the cabinet back (G) into the edges of the top/bottoms (A), sides (B), and shelf (C), using 1-1/2-inch-long nails spaced about 5 inches apart.

Figure 4



Making the Cabinet Doors

1. Cut four top/bottom door trims (H) from 1 x 4 pine, each measuring 21-1/2 inches long.
2. Cut four side door trims (I) from 1 x 4 pine, each measuring 24 inches long.
3. Cut two center door panels (J) from 1/4-inch-thick plywood, measuring 19 x 28-1/2 inches.
4. Place two top/bottom door trims (H) on their wide surface, parallel to each other and 24 inches apart.
5. Fit two side door trims (I) face down between the two top/bottom door trims, as shown in *Figure 4*.
6. Apply glue to the meeting surfaces, and nail through the door panel into each of the four trim pieces (H and I) using 3/4" brads, placed about every clamp the four inches.
7. Repeat Steps 20, 21 and 22 using the remaining two top/bottom door trims (H) and the two side door trims (I).

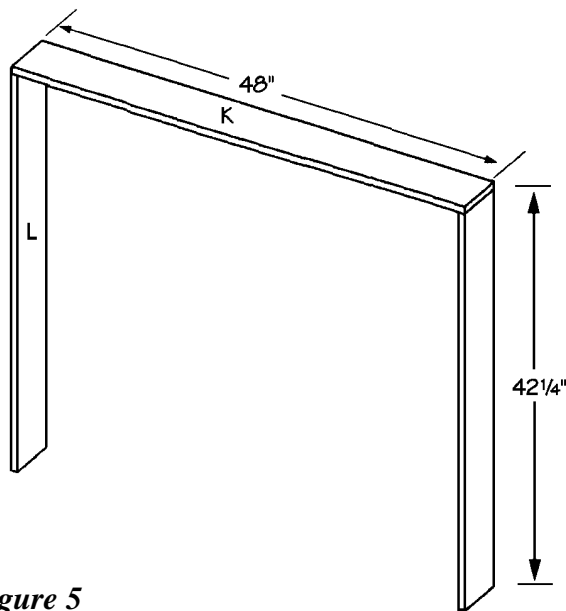


Figure 5

8. The next step is optional. We routed both the inside and outside edges of the front of the assembled door trims (H and I) using a round-over bit.

- Place the completed cabinet on its back, and place the two cabinet doors over the front opening in the cabinet. Allow about 1/8 inch space between the two doors, and check to make certain that the doors are straight, and that they are equidistant from each of the sides, bottom, and top of the cabinet. Then attach the doors to the cabinet using two hinges on each door. Also install door latches on each of the cabinet doors to make certain that they will stay closed when they are shut.

Making the Upper Hutch Section

- Cut one hutch top (K) from 1 x 6 pine, measuring 48 inches long.
- Cut two hutch sides (L) from 1 x 6 pine, each measuring 41-1/2 inches long.
- Place the two hutch sides (L) parallel to each other, and 46-1/2 inches apart. Place the hutch top (K) over the ends of the two hutch sides (L), as shown in *Figure 5*. Screw through the hutch top (K) into the ends of the hutch sides (L). Use three 2-inch screws on each joint.

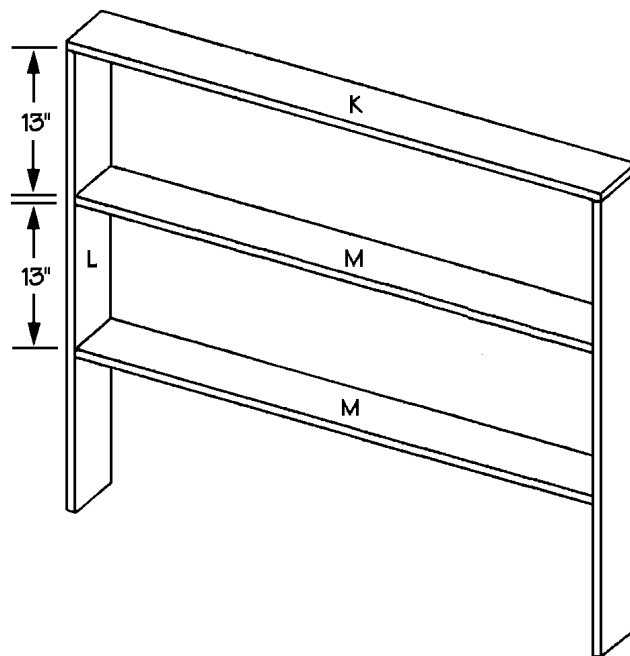


Figure 6

- Cut two hutch shelves (M) from 1 x 6 pine, each measuring 46-1/2 inches long.
- Place one hutch shelf (M) between the two hutch sides (L), 13 inches from the hutch top (K) as shown in *Figure 6*. Screw through the hutch sides (L) into the ends of the hutch shelf (M). Use three 1-1/2" screws on each of the joints.
- Place the remaining hutch shelf (M) between the two hutch sides (L), 13 inches from the

first hutch shelf (M), as shown in *Figure 6*. Again, screw through the hutch sides (L) into the ends of the hutch shelf (M). Use three 1-1/2" screws on each of the joints.

7. Cut two hutch side trims (N) from 1 x 4 pine, each measuring 42-1/4" long.
8. Apply glue to the meeting surfaces, and attach one hutch side trim (N) to the front edge of the hutch top (K) and the hutch side (L), as shown in *Figure 7*. Screw through the hutch side trim (N) into both the hutch top and side (K and L), using 1-1/2-inch screws spaced about every 5 inches.
9. Repeat Step 33 to attach the remaining hutch side trim (N) to the opposite hutch side (L) and the hutch top (K).
10. Cut one hutch top trim (O) from 1 x 4 pine, measuring 41 inches long.

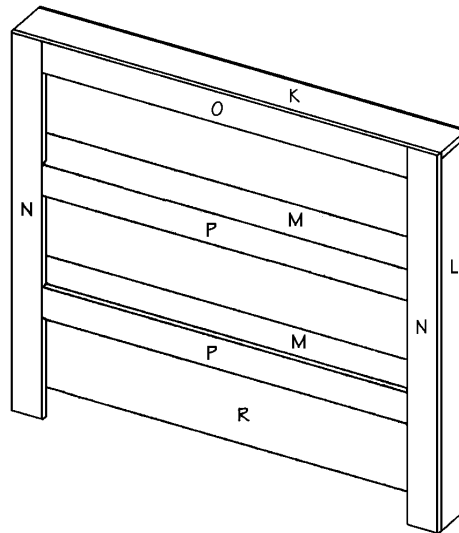


Figure 7

11. Apply glue to the meeting surfaces, and attach the hutch top trim (O) to the front edge of the hutch top (K), between the two hutch side trims (N). Screw through the hutch top trim into the edge of the hutch top (K) using 1-1/2-inch-long screws spaced about every 5 inches.
12. Cut two hutch shelf trims (P) from 1 x 4 pine, each measuring 41 inches long.
13. Wipe glue on the meeting surfaces, and attach each of the hutch shelf trims (P) to the front edge of the hutch shelves (M), between the two hutch side trims (N). Screw through the hutch shelf trims (P) into the edges of the hutch shelves (M), using 1-1/2-inch-long screws spaced about every 5 inches.

14. Cut six reinforcing blocks (Q) from 1 x 2 pine, each measuring 2-1/2 inches long.
15. Place the hutch assembly trim side down, and fit one reinforcing block (Q) inside the upper left corner of the hutch across the joint between the hutch side trim (M) and the hutch top trim (O). Apply glue to the reinforcing block (Q) and nail it over the joint, placing one 1-1/4" 3d finishing nail on each side of the joint.
16. Repeat Step 40 five more times to attach the remaining five reinforcing blocks over the remaining joint between the hutch side trim (M) and the hutch top trim (O), and over the four joints between the hutch side trim (M) and the hutch shelf trim (P).
17. Cut one hutch back (R) from 1/4" thick plywood, measuring 48 x 42-1/4 inches.
18. Fit the hutch back (R) over the back of the assembled hutch. Apply glue to the meeting surfaces, and nail through the hutch back (R) into the edges of the hutch top (K), the hutch sides (L), and the hutch shelves (M). Use 1-1/2" 3d finishing nails spaced about every 5 inches.

Finishing

1. Measure carefully, and cut and fit lengths of 4-inch-wide crown molding across the top of the hutch front and sides. Apply glue to the meeting surfaces, and secure the molding with 1 2d nails, spaced every four inches.
2. Fill any cracks, crevices or imperfections with wood filler, and sand the hutch completely.
3. Paint or stain the finished hutch pieces the color of your choice.
4. You may need a helper for the final assembly. Place the hutch section on top of the cabinet section, aligning the sides and back. Have the helper steady the hutch, while you connect the two pieces together. We recommend that you forego any glue, so that the hutch can be disassembled in case of a move. Insert two or three 2-inch-long screws through the cabinet top into the ends of each of the hutch sides to pull the two pieces together.
5. Because of the height of the combined hutch and cabinet and its shallow depth, we recommend that you also secure the hutch to the wall with molly bolts or other appropriate hardware.

Coordinate your kitchen and other rooms with projects from www.wowimadeit.com!



Face facts! If you're preparing food while guests or family are in the house, chances are good that you'll have an audience. Because we enjoy relaxed entertaining, and especially kitchen company, our kitchen hutch, island and telephone table are designed to serve as coordinated pieces. (The island and telephone table also serve as "people perches.") A plate of appetizers on the island and self-serve beverages on the telephone table make everyone feel at home while we finish preparing the meal.