

## Drawers

Developed by :jason

Developed through :[www.bricomagic.com](http://www.bricomagic.com)

01 20 2005 04:49 p

Project Number :1238

**Drawers**

Project Number : 830

www.bricomagic.com

jason

Pg. :2

20 01 2005 04:49 p

**GENERAL DATA**

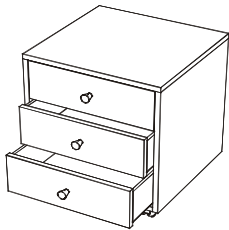
---

SCALE : 1 /1000,00

SAW THINKNESS:3 mm.

FIGURES IN CENTIMETERS

DESIRED MODELS:



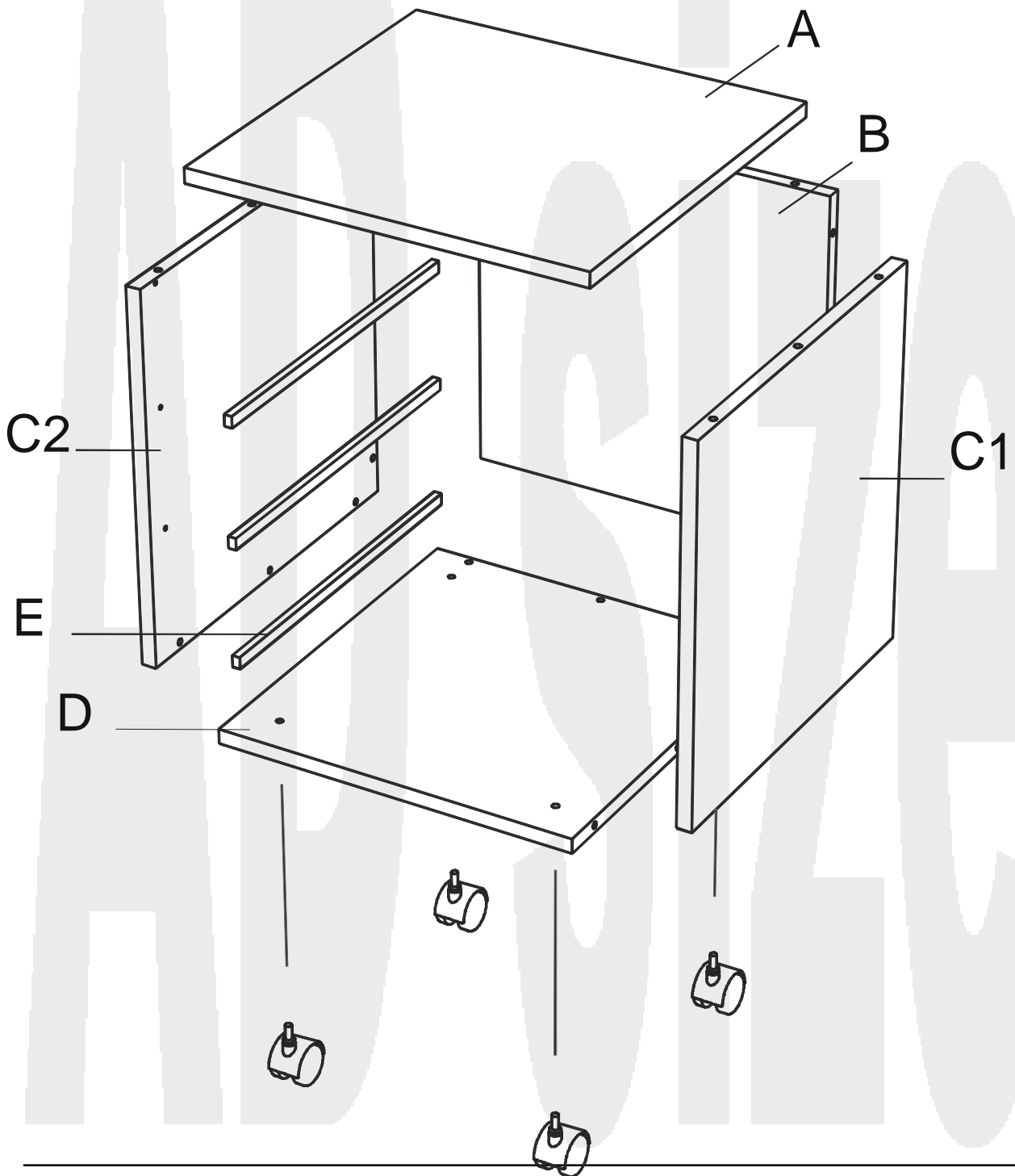
My furniture, Three drawer office file cabinet with wheels

45,0Width 45,0Depth 60,0Height

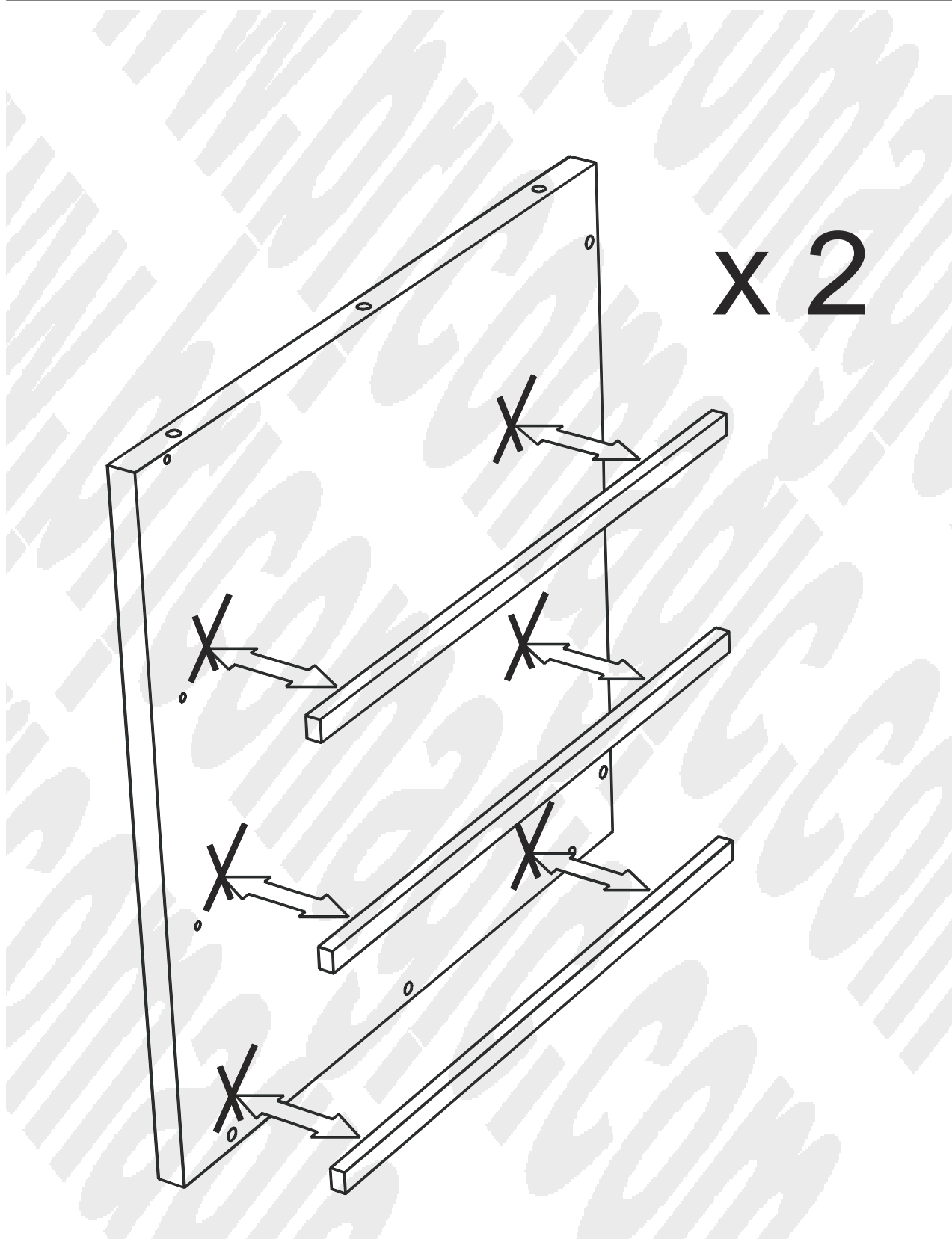
MOUNTING

My furniture

450 X 450 X 600

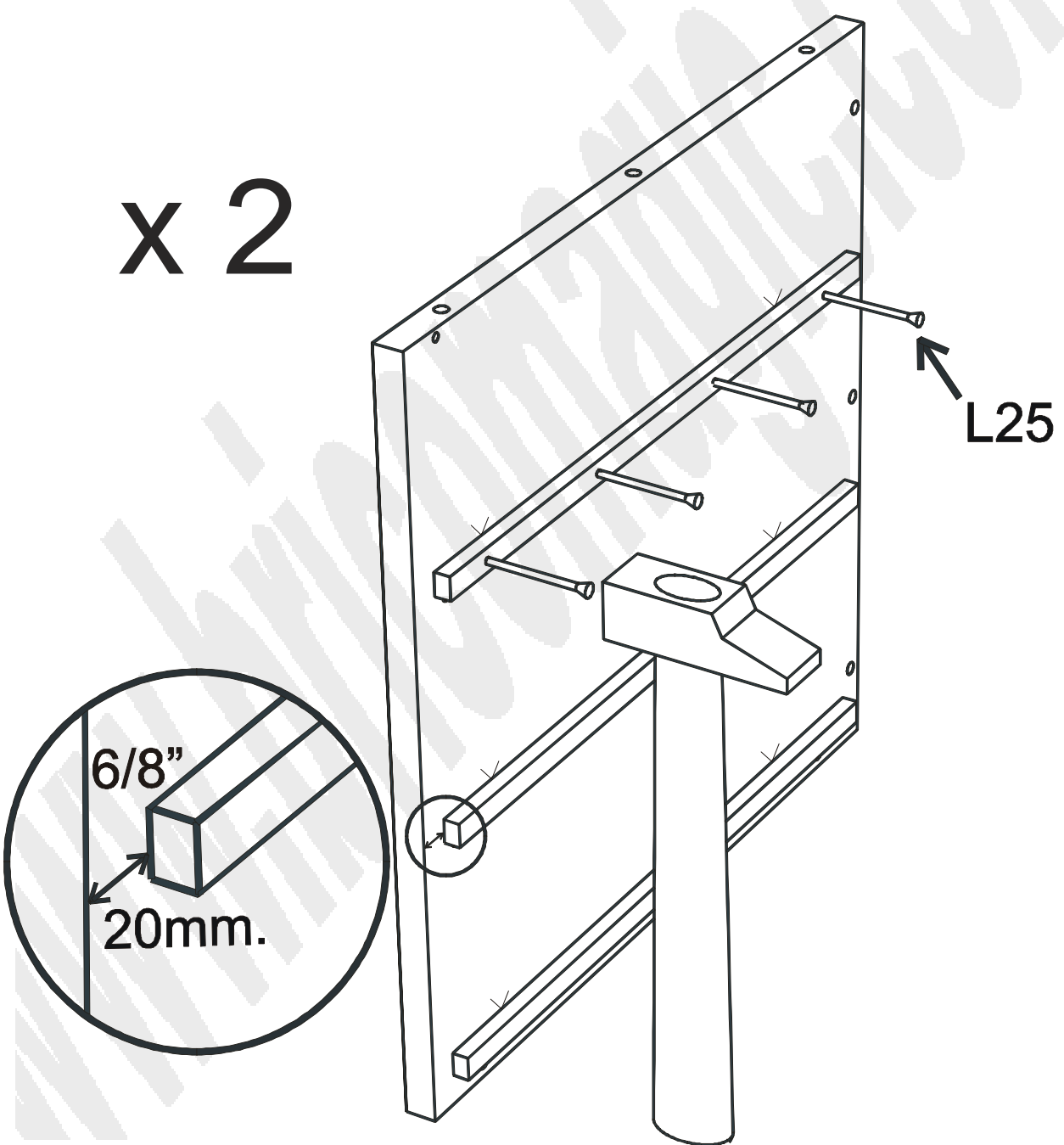


MOUNTING



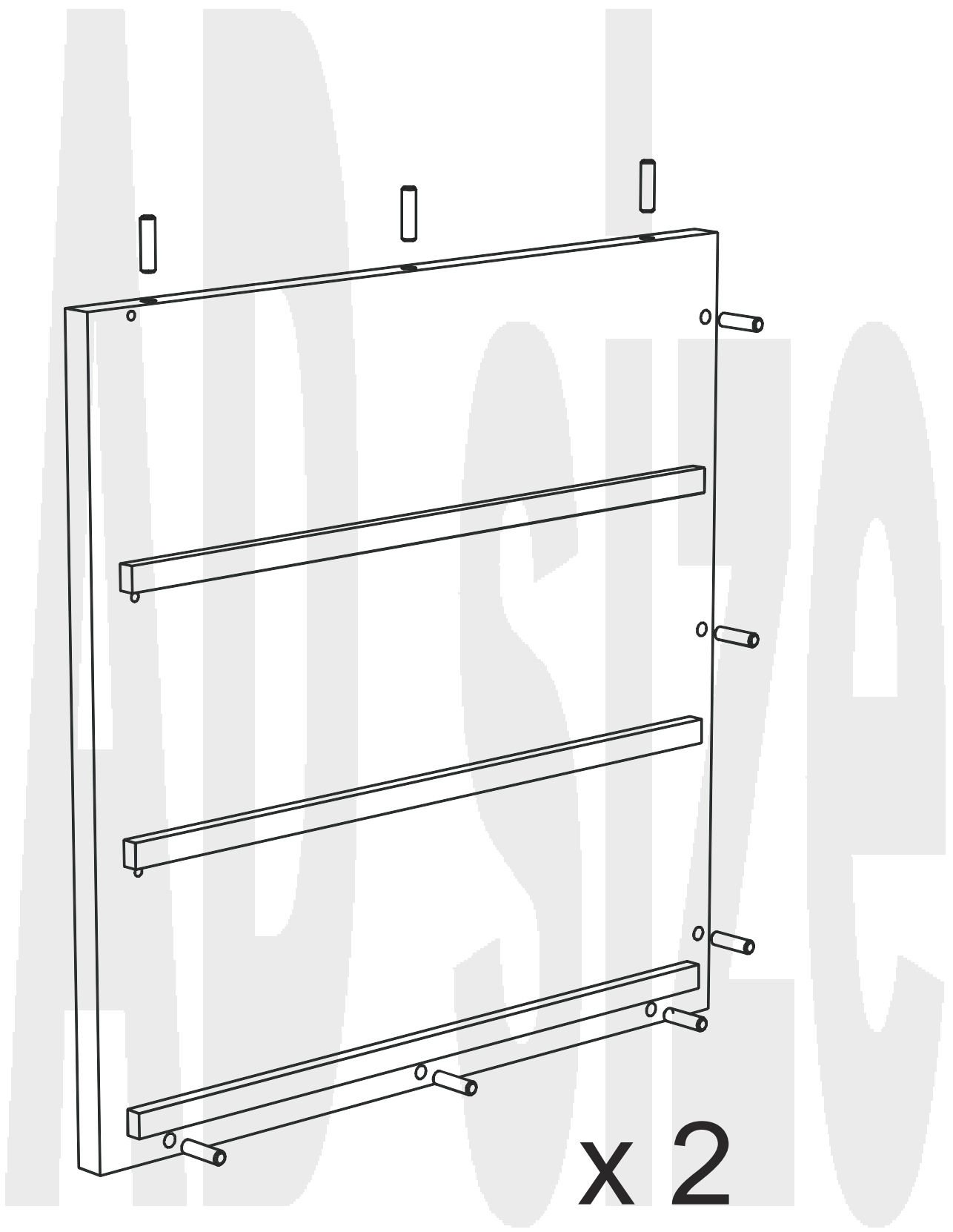
MOUNTING

x 2

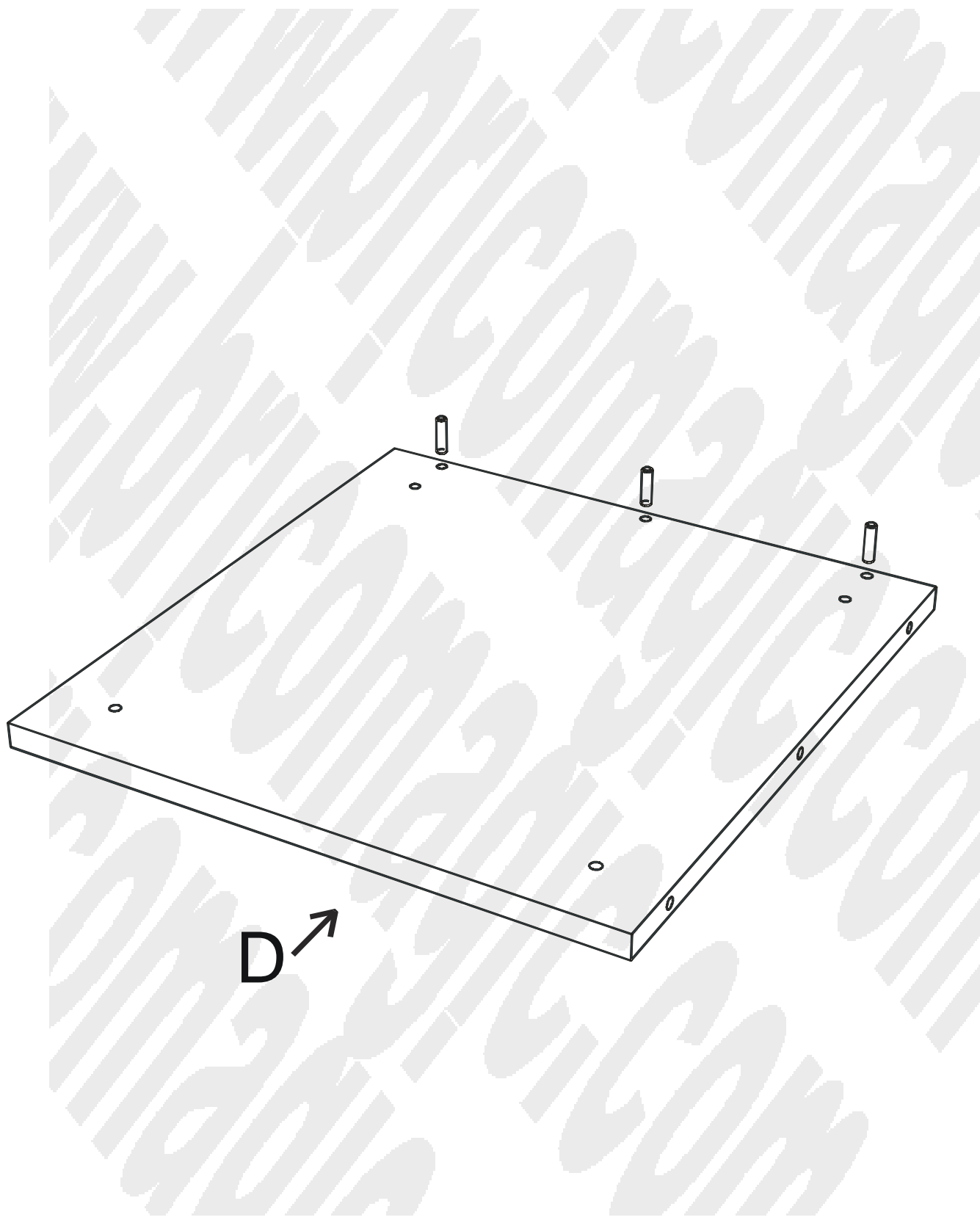


**AD size** AD size AD size AD size AD size  
AD size AD size AD size AD size

MOUNTING

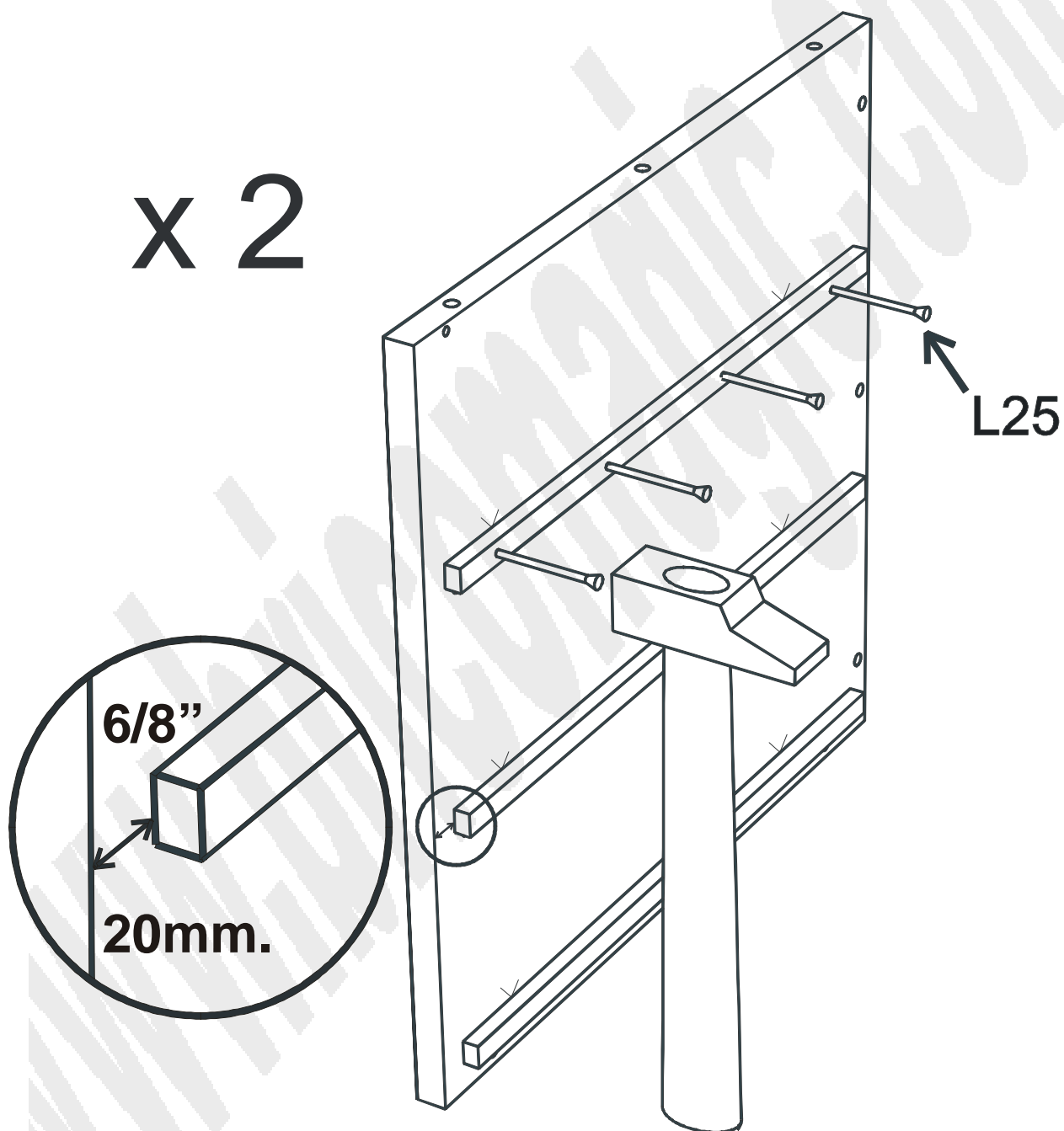


### MOUNTING



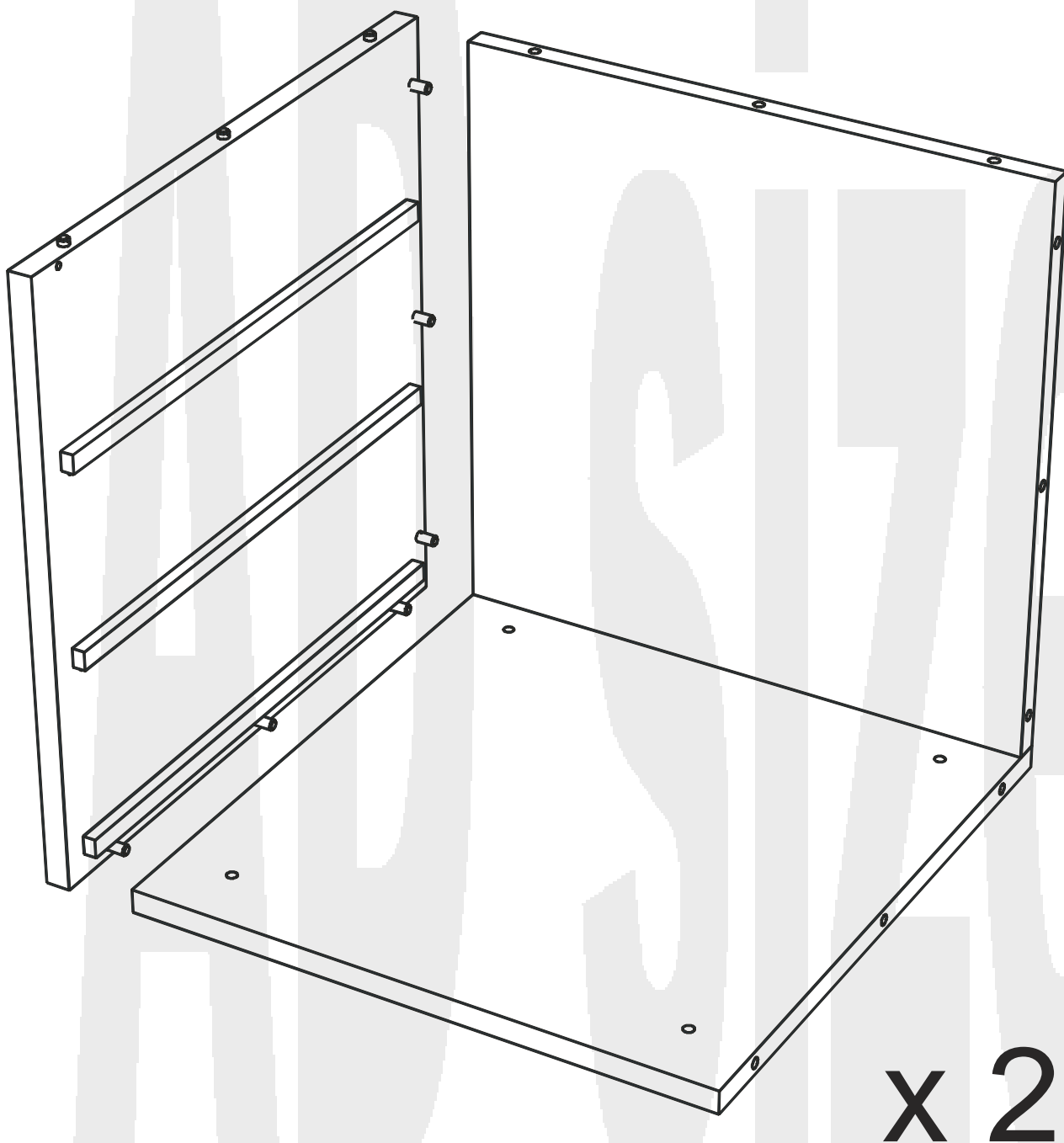
**MOUNTING**

x 2



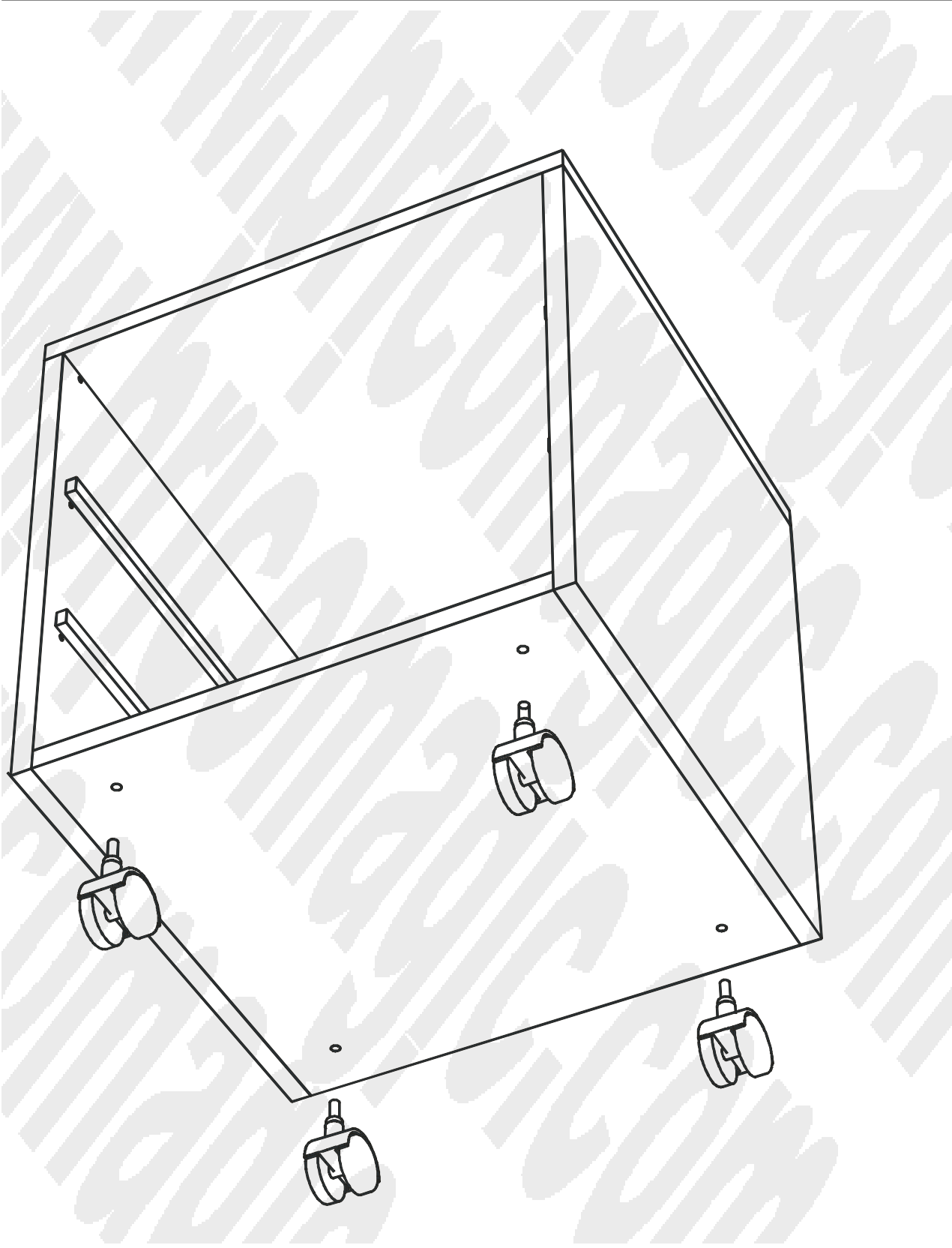


MOUNTING

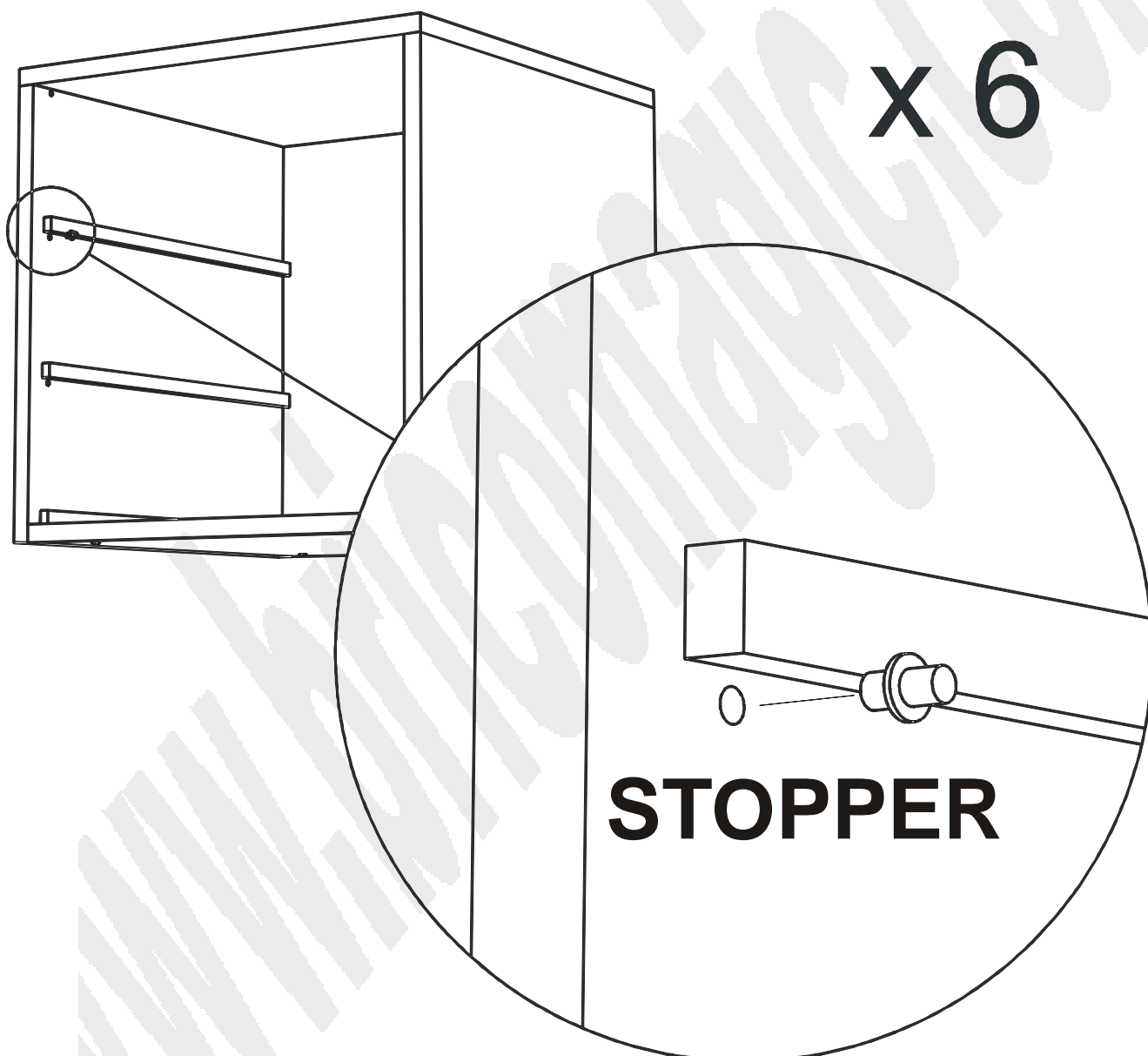


**AD size** AD size AD size AD size AD size  
AD size AD size AD size AD size

MOUNTING



**MOUNTING**



**Drawers**

Project Number : 830

www.bricomagic.com

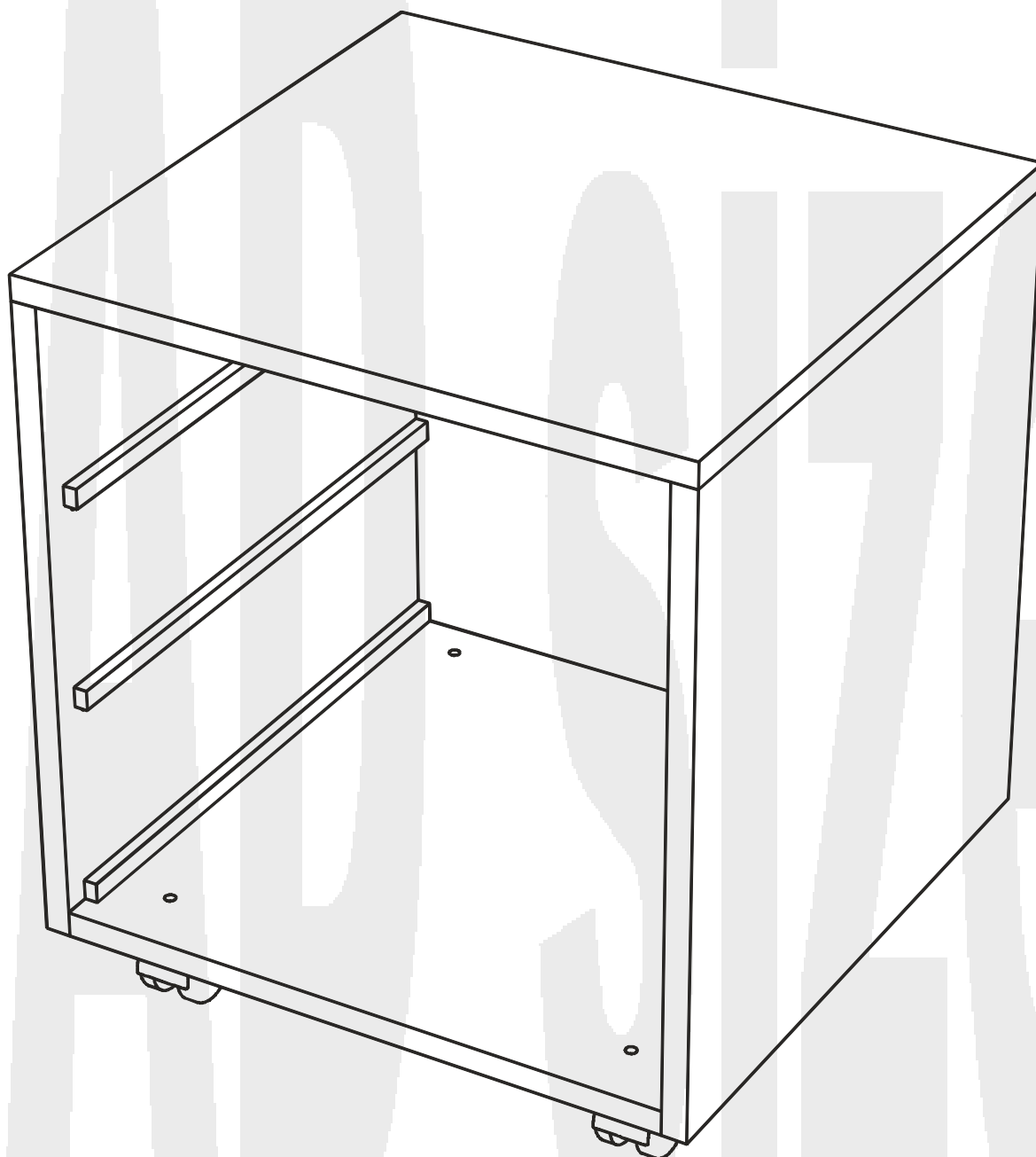
jason

Pg. :12

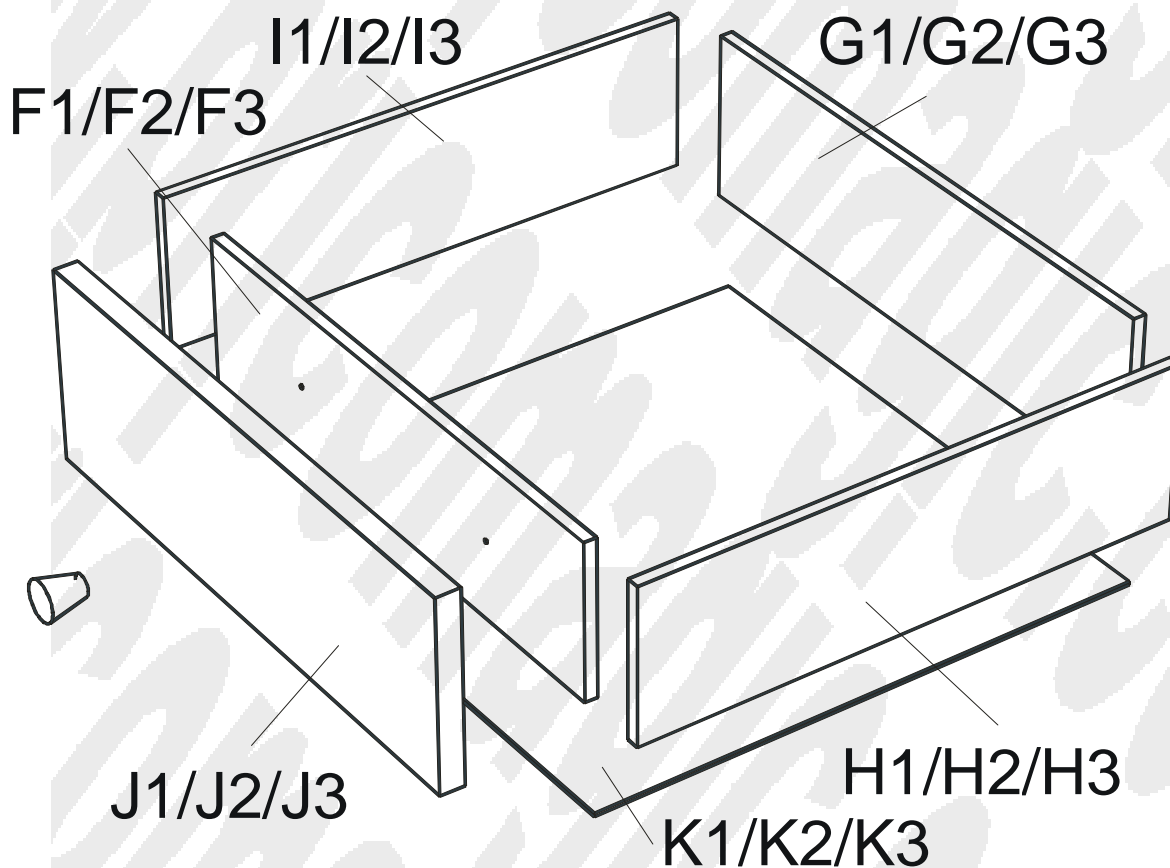
20 01 2005 04:49 p

**MOUNTING**

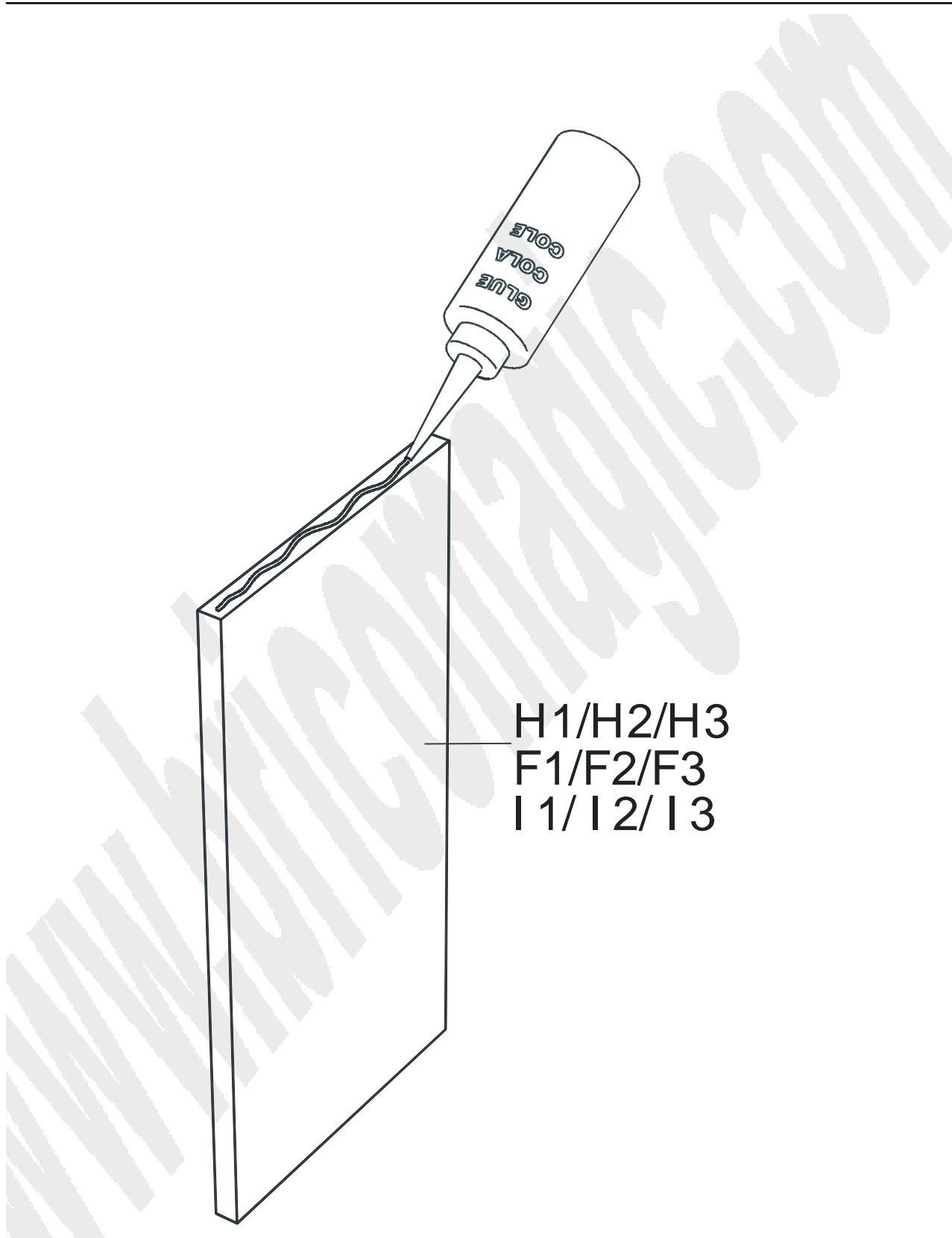
---



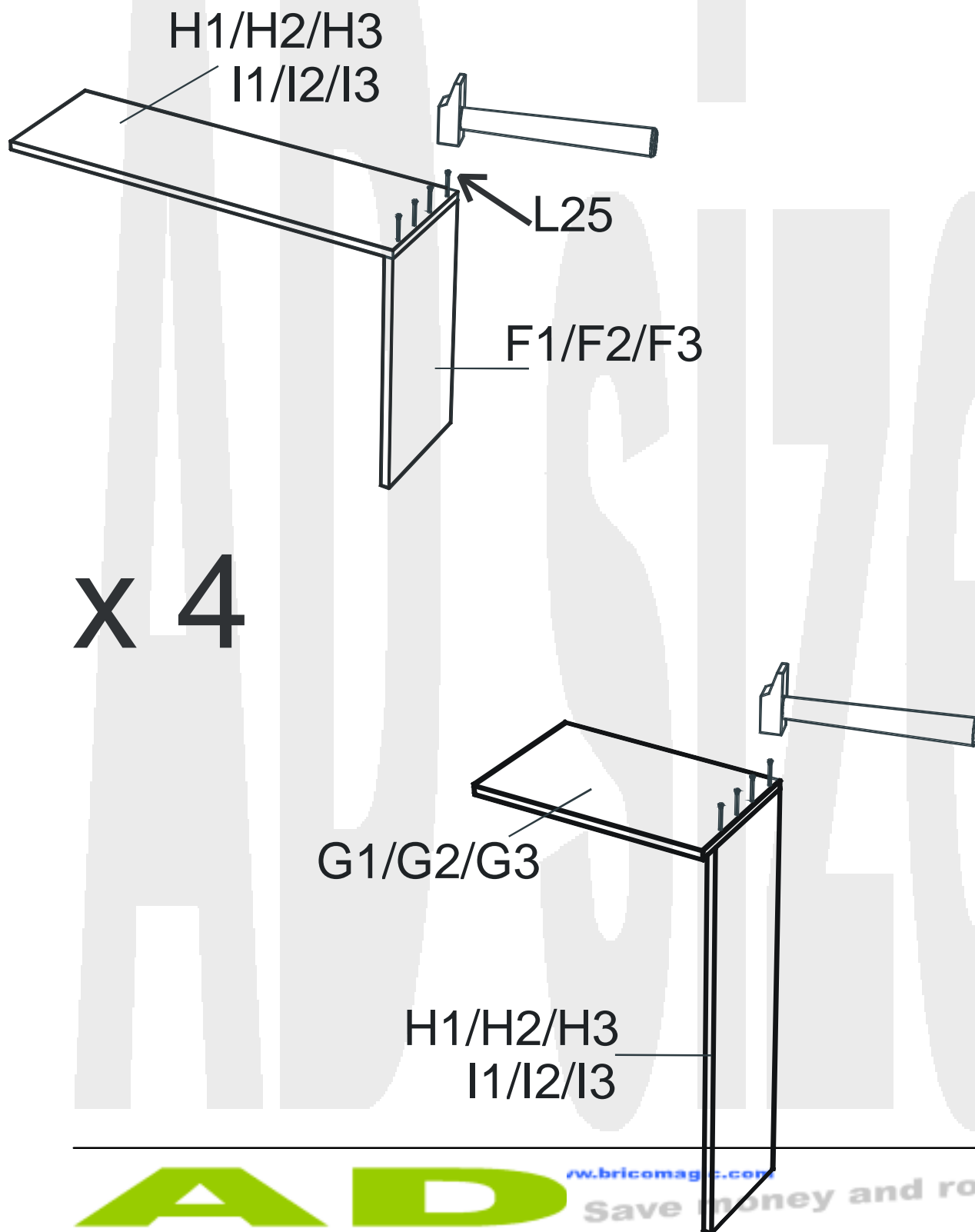
MOUNTING



MOUNTING

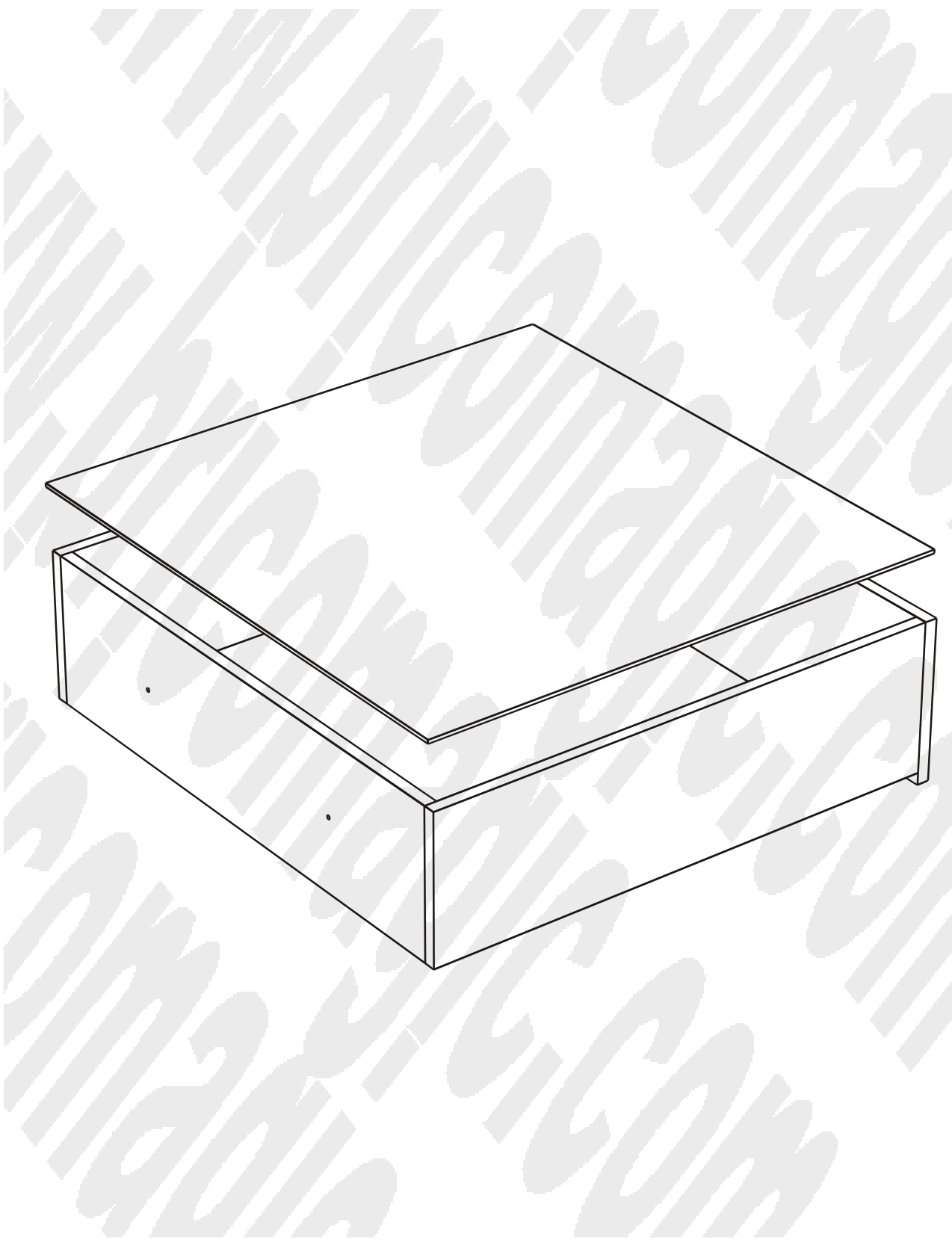


MOUNTING



**MOUNTING**

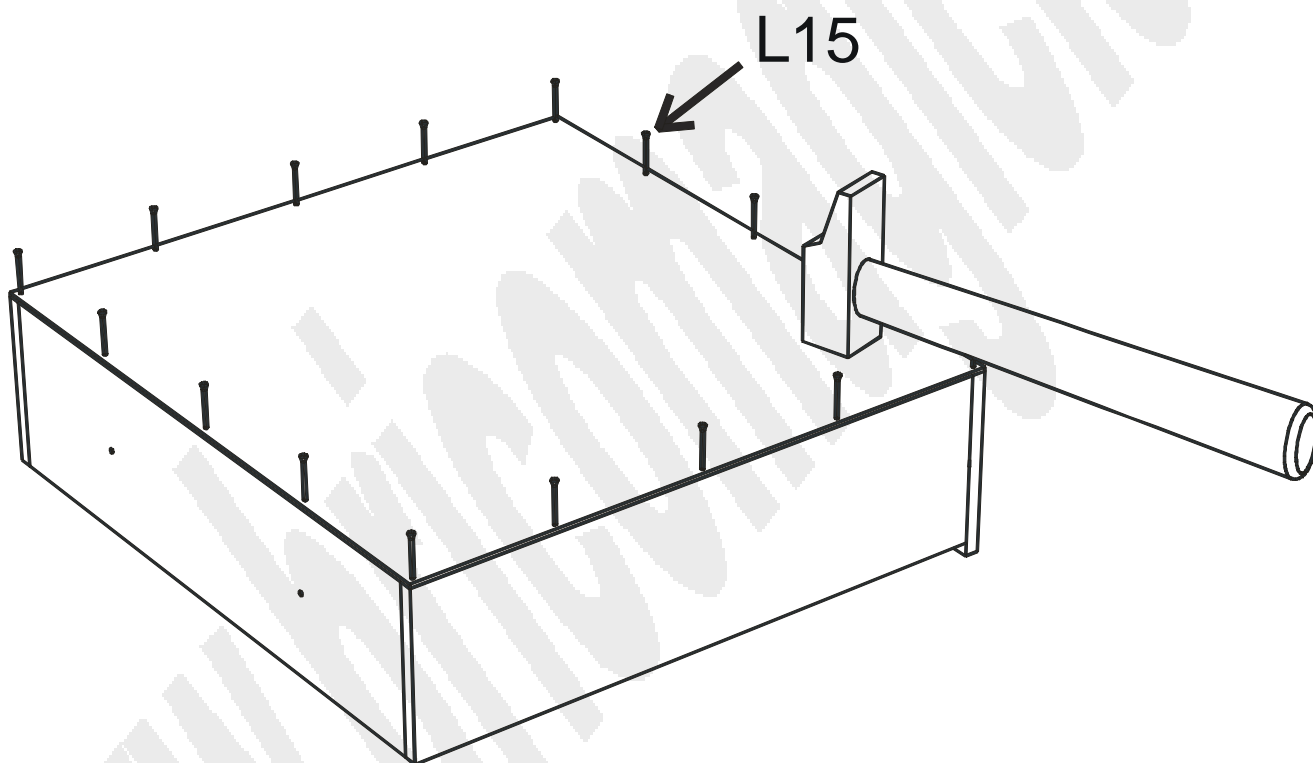
---



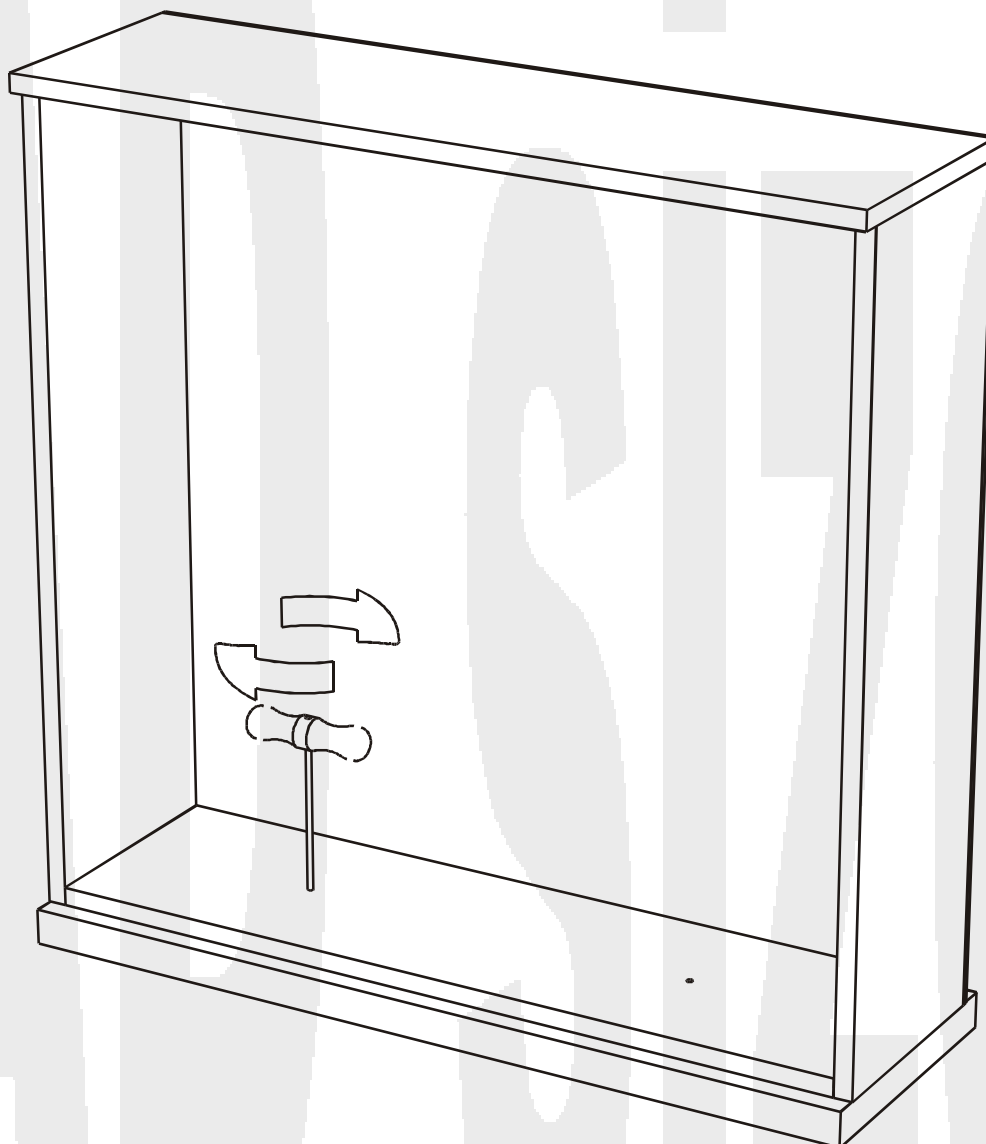


MOUNTING

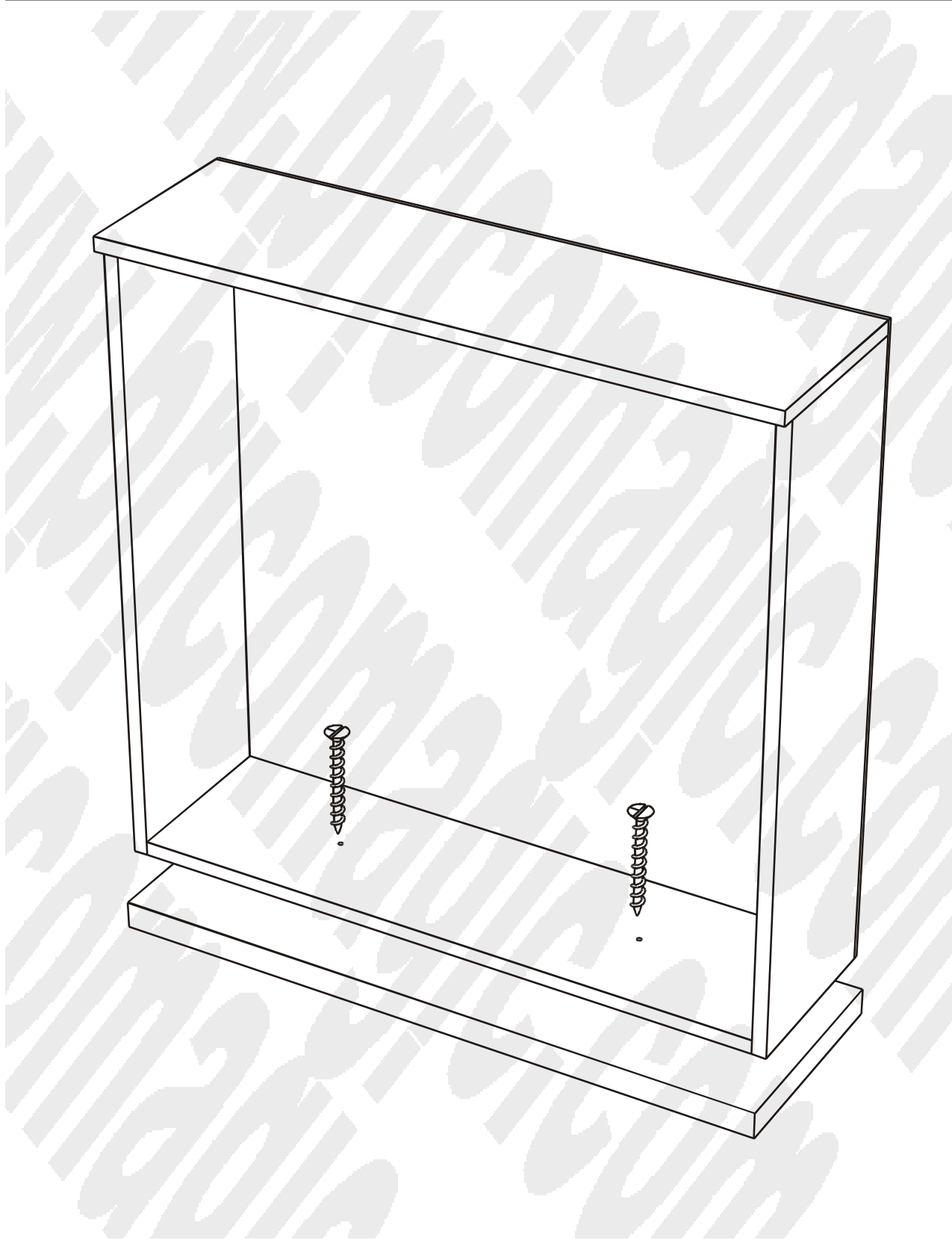
x 2



**MOUNTING**



MOUNTING



**Drawers**

Project Number : 830

www.bricomagic.com

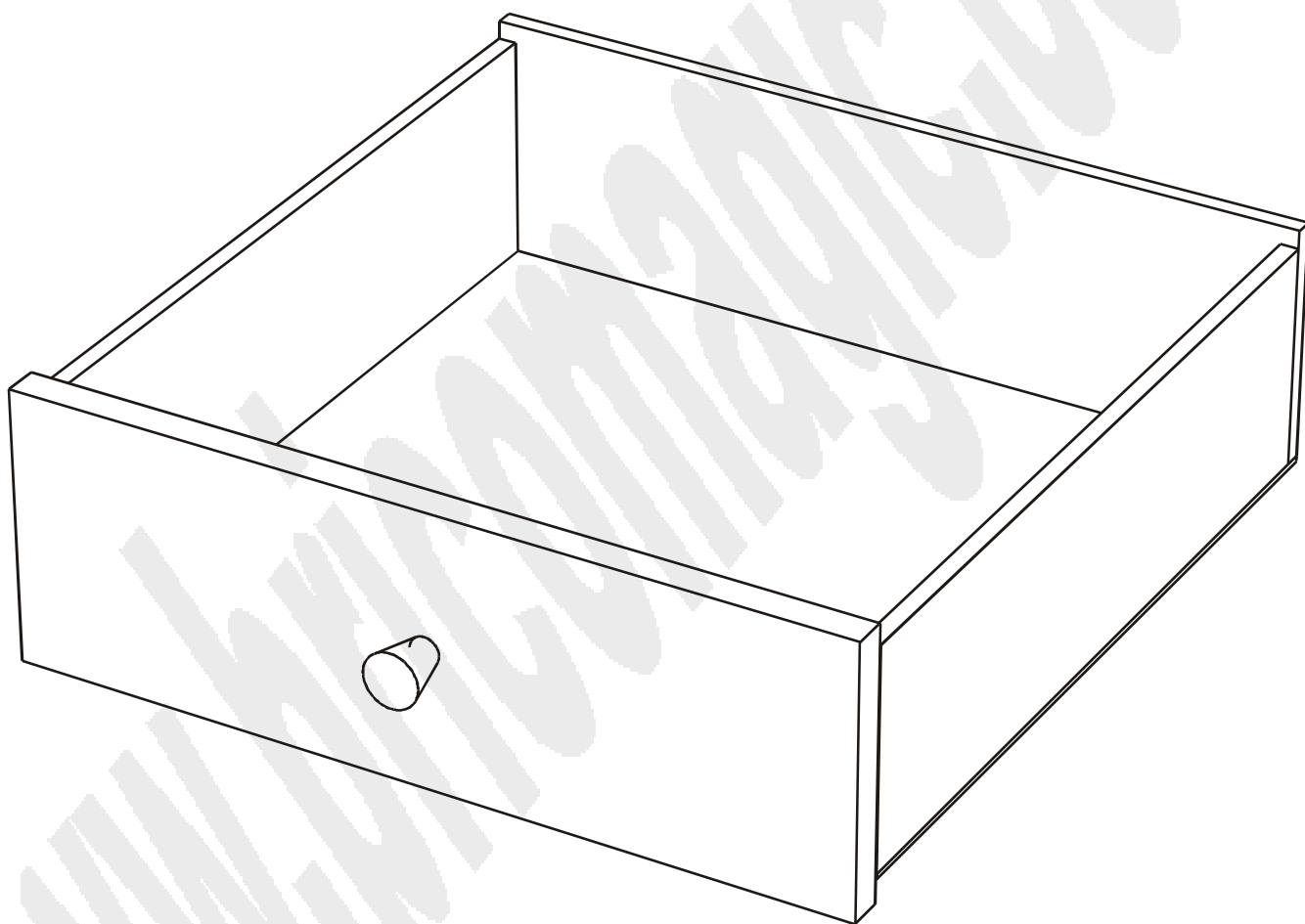
jason

Pg. :20

20 01 2005 04:49 p

**MOUNTING**

---



**Drawers**

Project Number : 830

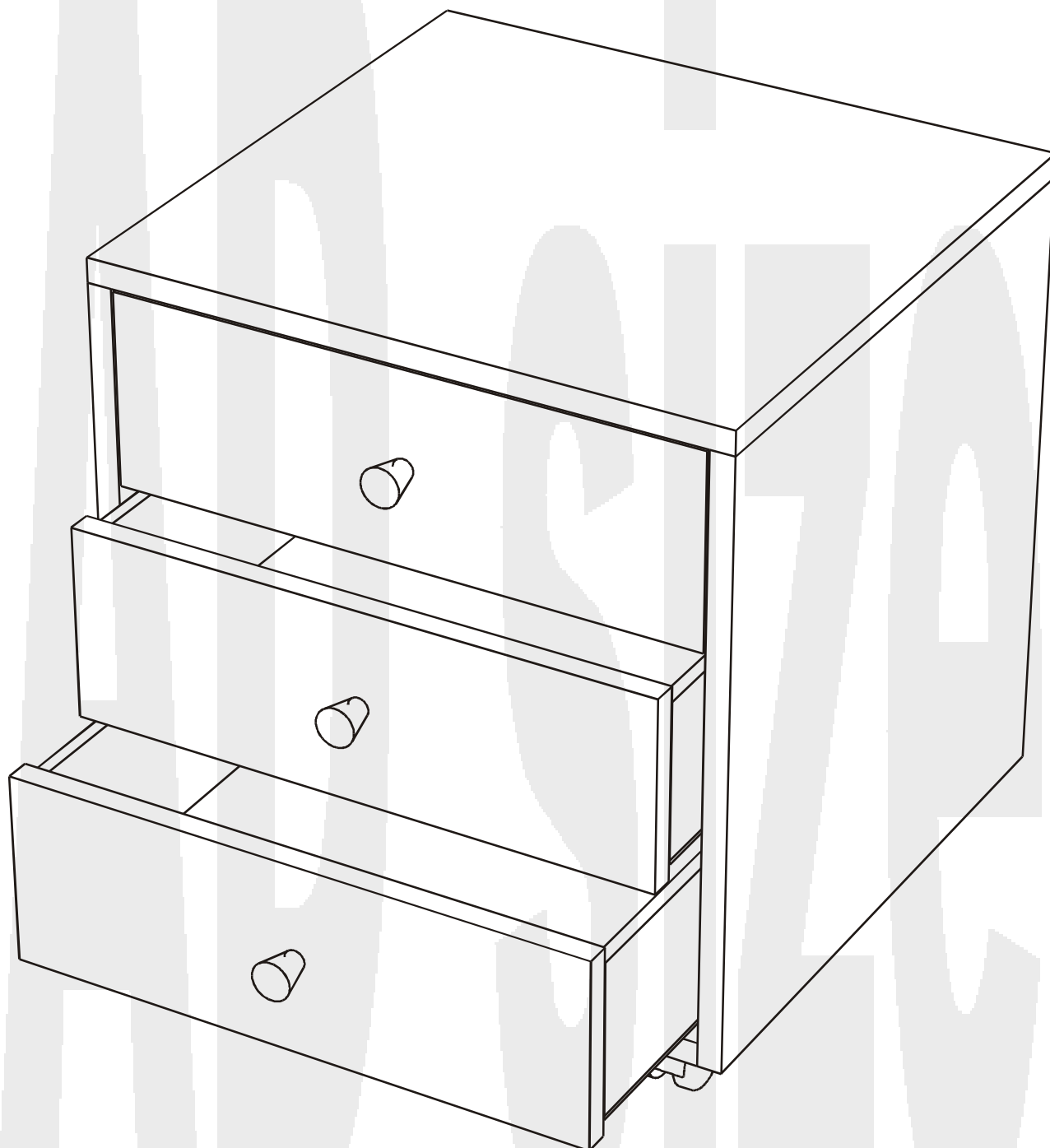
www.bricomagic.com

jason

Pg. :21








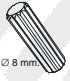
20 01 2005 04:49 p

**MOUNTING**



**AD size** AD size AD size AD size AD size  
AD size AD size AD size AD size

**BILL OF MATERIALS**

Description	Quantity
 Wood lath 15 x 10 x 2400 mm 1/2 x 3/8 x 95" (No color)	2 units.
 PLYWOOD 3 mm 1/8" (No color)	1 units.
 Panel Thikness 19 mm 3/4" (No color)	1 units.
 Panel Thikness 10 mm 3/8" (No color)	1 units.
 Screw M4mm L20 mm. Ø1/6 L3/4" (No color)	6 units
 Handle (No color)	3 units
 Nail L15 mm. L1/2" (No color)	135 units
 Dowel Ø8 mm 1/3" (No color)	24 units

**Drawers**

Project Number : 830




www.bricomagic.com

jason

Pg. :23

20 01 2005 04:49 p

**BILL OF MATERIALS**

Description	Quantity
 Tape 19 mm. 3/4" (No color)	950,0 cm
 Wheel Ø50 mm. 2" (No color)	4 units
 Nail L25 mm. 1" (No color)	72 units

**Drawers**

Project Number : 830  
www.bricomagic.com

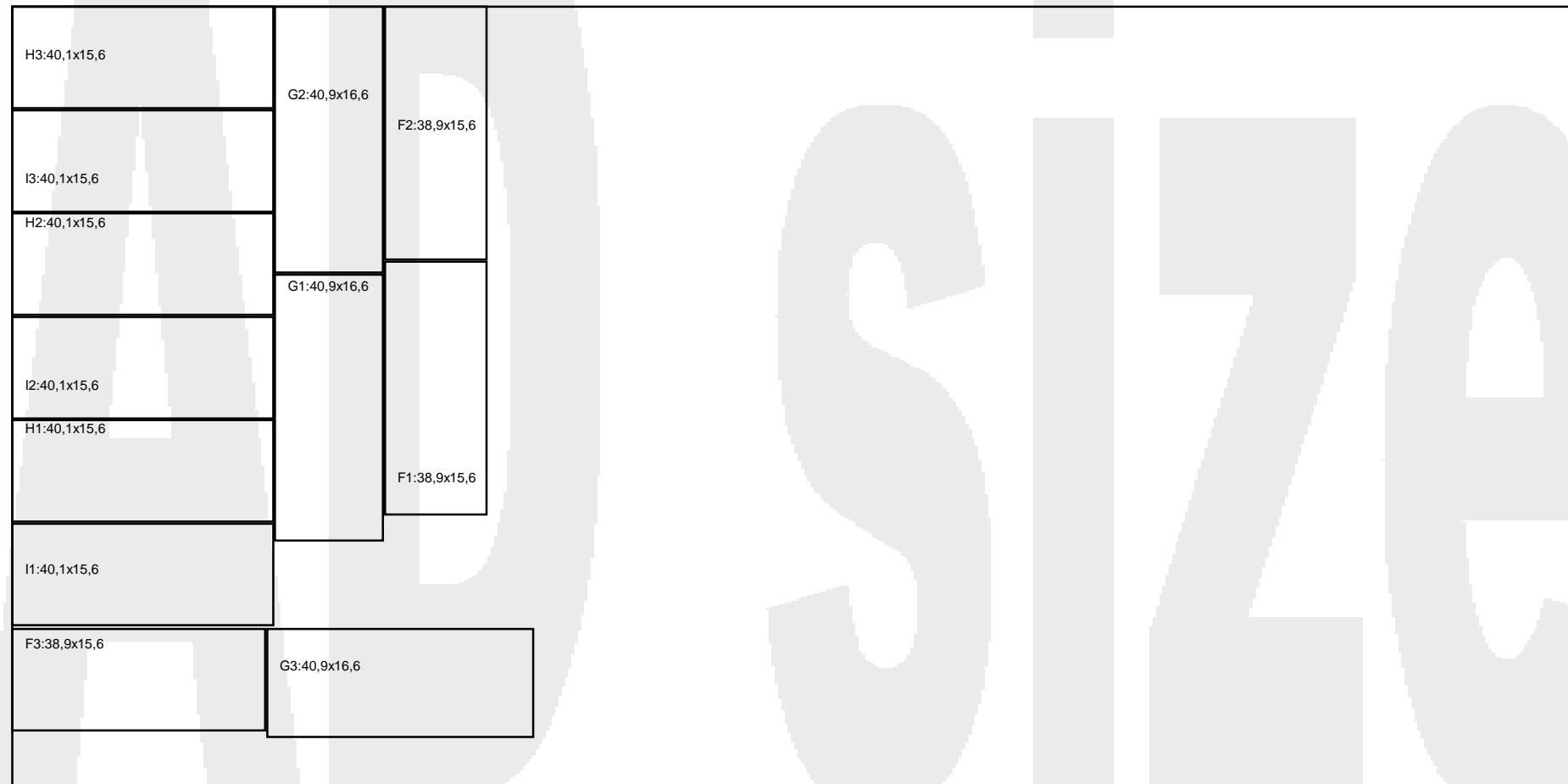
jason

**SAWING LAYOUT**

Pg. :24  
20 01 2005 04:49 p

PANEL NUMBER : 1  
PANEL QUALITY : Panel Thickness 10 mm 3/8"  
PANEL SIZE : 240,0 x 120,0 cm No color

NO  
COLOR



To change the panel size click on "Technical Data" on the web.



**Drawers**

Project Number : 830  
www.bricomagic.com

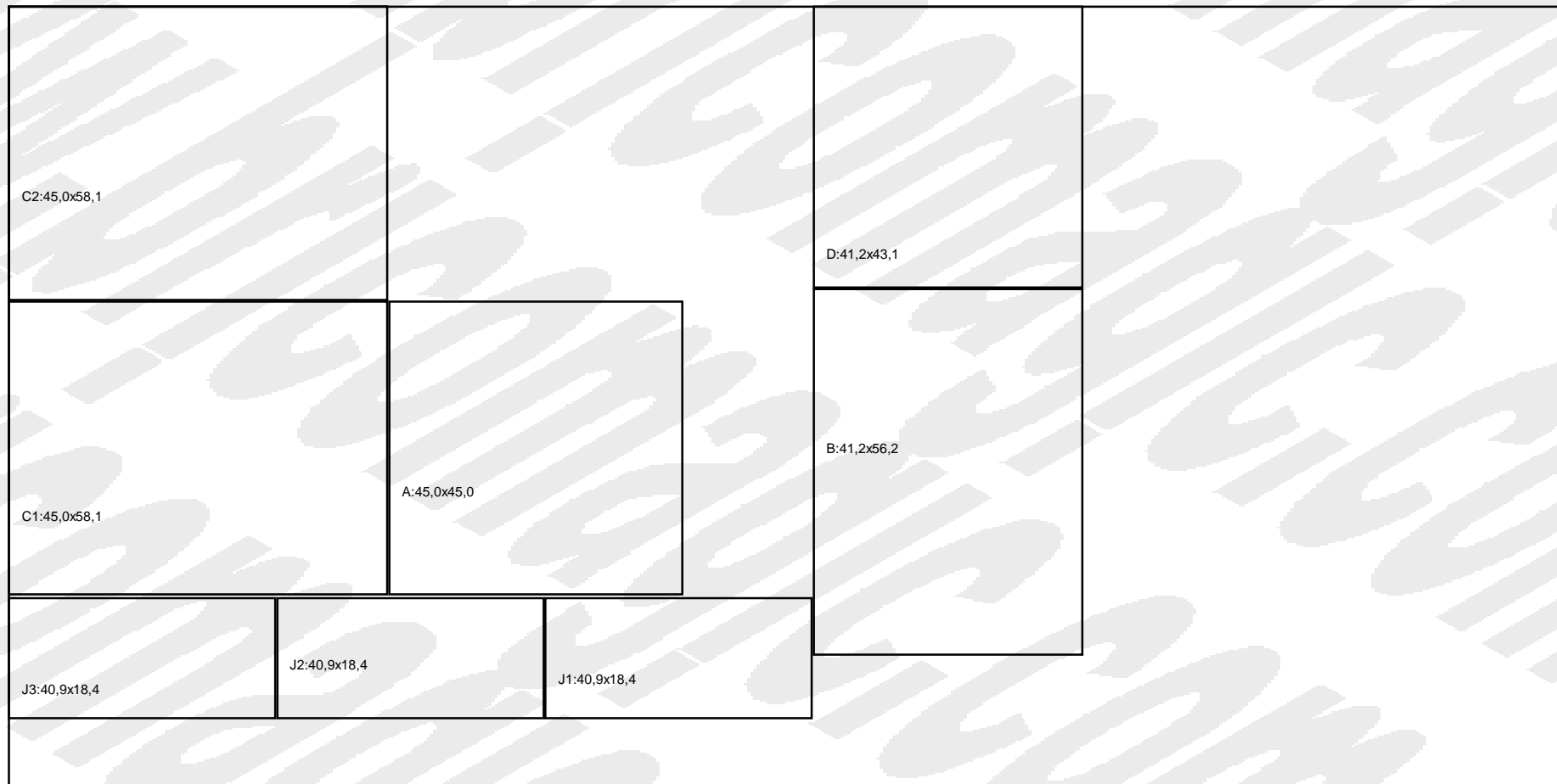
jason

**SAWING LAYOUT**

Pg. :25  
20 01 2005 04:49 p

PANEL NUMBER : 2  
PANEL QUALITY : Panel Thickness 19 mm 3/4"  
PANEL SIZE : 240,0 x 120,0 cm No color

NO  
COLOR



To change the panel size click on "Technical Data" on the web.

**Drawers**

Project Number : 830  
www.bricomagic.com

jason

**SAWING LAYOUT**

Pg. :26  
20 01 2005 04:49 p

PANEL NUMBER : 3  
PANEL QUALITY : PLYWOOD 3 mm 1/8"  
PANEL SIZE : 240,0 x 120,0 cm No color

NO  
COLOR



To change the panel size click on "Technical Data" on the web.

**Drawers**

Project Number : 830  
www.bricomagic.com

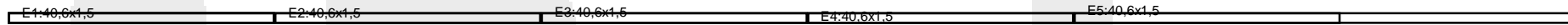
jason

**SAWING LAYOUT**

Pg. :27  
20 01 2005 04:49 p

PANEL NUMBER : 4  
PANEL QUALITY : Wood lath 15 x 10 x 2400 mm 1/2 x 3/8 x 95"  
PANEL SIZE : 240,0 x 1,5 cm No color

**NO  
COLOR**



To change the panel size click on "Technical Data" on the web.

**AD SIZE**

**Drawers**

Project Number : 830  
www.bricomagic.com

jason

**SAWING LAYOUT**

Pg. :28  
20 01 2005 04:49 p

PANEL NUMBER : 5

PANEL QUALITY : Wood lath 15 x 10 x 2400 mm 1/2 x 3/8 x 95"

PANEL SIZE : 240,0 x 1,5 cm No color

NO  
COLOR

E640,6x1,5

To change the panel size click on "Technical Data" on the web.

**PIECES PERFORMING**

**Legend**



Drill a hole through the piece.



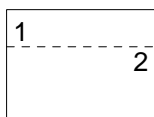
Drill a hole with a depth of "L".



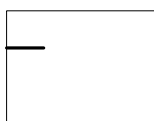
Mark with a punch or pencil.



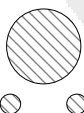
Paste the tape on this side.



Saw the piece from 1 to 2.



Drill a hole in this side at half of its thickness with an "L" length.



Drill a hole according your hinges requeriments.



Distance to left, righth, top or bottom depending on direction marked.

PIECES PERFORMING

PANEL :1  
SIZE :38,9 x 15,6 SCALE : 1 / 1000,00  
PART : F1 (My furniture)

(0 : 0)



(38,9 x 15,6)

#						#					
1	Ø4M	9,7	29,2	7,8	7,8	2	Ø4M	29,2	9,7	7,8	7,8

PANEL :1  
SIZE :38,9 x 15,6 SCALE : 1 / 1000,00  
PART : F2 (My furniture)

(0 : 0)

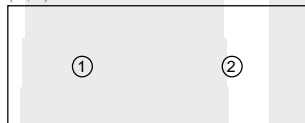


(38,9 x 15,6)

#						#					
1	Ø4M	9,7	29,2	7,8	7,8	2	Ø4M	29,2	9,7	7,8	7,8

PANEL :1  
SIZE :38,9 x 15,6 SCALE : 1 / 1000,00  
PART : F3 (My furniture)

(0 : 0)



(38,9 x 15,6)

#						#					
1	Ø4M	9,7	29,2	7,8	7,8	2	Ø4M	29,2	9,7	7,8	7,8



**Drawers**

Project Number : 830

www.bricomagic.com

jason

Pg. :31

20 01 2005 04:49 p

**PIECES PERFORMING**

PANEL :2  
SIZE :40,9 x 18,4 SCALE : 1 / 1000,00  
PART : J1 (My furniture)

(0 : 0)



(40,9 x 18,4)

PANEL :2  
SIZE :40,9 x 18,4 SCALE : 1 / 1000,00  
PART : J2 (My furniture)

(0 : 0)



(40,9 x 18,4)

PANEL :2  
SIZE :40,9 x 18,4 SCALE : 1 / 1000,00  
PART : J3 (My furniture)

(0 : 0)



(40,9 x 18,4)

**Drawers**

Project Number : 830

www.bricomagic.com

jason

Pg. :32

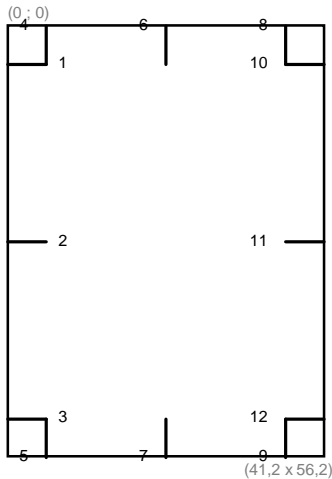
20 01 2005 04:49 p

**PIECES PERFORMING**

PANEL :2

SIZE :41,2 x 56,2 SCALE : 1 / 1000,00

PART : B (My furniture)

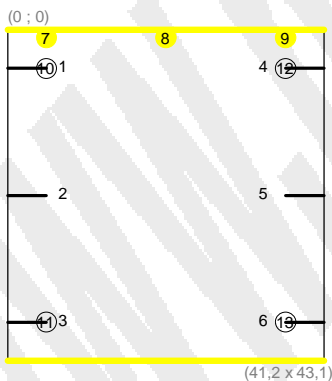


#		←	→	↑	↓	#	←	→	↑	↓	
1	Ø8M;2,6L	0,0	41,2	5,0	51,2	7	Ø8M;2,6L	20,6	20,6	56,2	0,0
2	Ø8M;2,6L	0,0	41,2	28,1	28,1	8	Ø8M;2,6L	36,2	5,0	0,0	56,2
3	Ø8M;2,6L	0,0	41,2	51,2	5,0	9	Ø8M;2,6L	36,2	5,0	56,2	0,0
4	Ø8M;2,6L	5,0	36,2	0,0	56,2	10	Ø8M;2,6L	41,2	0,0	5,0	51,2
5	Ø8M;2,6L	5,0	36,2	56,2	0,0	11	Ø8M;2,6L	41,2	0,0	28,1	28,1
6	Ø8M;2,6L	20,6	20,6	0,0	56,2	12	Ø8M;2,6L	41,2	0,0	51,2	5,0

PANEL :2

SIZE :41,2 x 43,1 SCALE : 1 / 1000,00

PART : D (My furniture)



#		←	→	↑	↓	#	←	→	↑	↓	
1	Ø8M;2,6L	0,0	41,2	5,0	38,1	8	Ø8M;1,5L	20,6	20,6	1,0	42,1



**Drawers**

Project Number : 830

www.bricomagic.com

jason

Pg. :33

20 01 2005 04:49 p

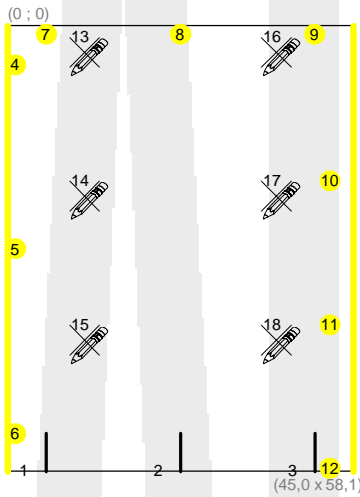
**PIECES PERFORMING**

#		←○	○→	↑○	○↓	#		←○	○→	↑○	○↓
2	Ø8M;2,6L	0,0	41,2	21,6	21,5	9	Ø8M;1,5L	36,2	5,0	1,0	42,1
3	Ø8M;2,6L	0,0	41,2	38,1	5,0	10	Ø6M	5,0	36,2	5,0	38,1
4	Ø8M;2,6L	41,2	0,0	5,0	38,1	11	Ø6M	5,0	36,2	38,1	5,0
5	Ø8M;2,6L	41,2	0,0	21,6	21,5	12	Ø6M	36,2	5,0	5,0	38,1
6	Ø8M;2,6L	41,2	0,0	38,1	5,0	13	Ø6M	36,2	5,0	38,1	5,0
7	Ø8M;1,5L	5,0	36,2	1,0	42,1						

PANEL :2

SIZE :45,0 x 58,1 SCALE : 1 / 1000,00

PART : C1 (My furniture)



#		←○	○→	↑○	○↓	#		←○	○→	↑○	○↓
1	Ø8M;2,6L	5,0	40,0	58,1	0,0	10	Ø4.5M;0,6L	42,0	3,0	20,1	38,0
2	Ø8M;2,6L	22,5	22,5	58,1	0,0	11	Ø4.5M;0,6L	42,0	3,0	38,9	19,2
3	Ø8M;2,6L	40,0	5,0	58,1	0,0	12	Ø4.5M;0,6L	42,0	3,0	57,6	0,5
4	Ø8M;1,5L	1,0	44,0	5,0	53,1	13		10,0	35,0	3,4	54,7
5	Ø8M;1,5L	1,0	44,0	29,0	29,1	14		10,0	35,0	22,1	36,0
6	Ø8M;1,5L	1,0	44,0	53,1	5,0	15		10,0	35,0	40,9	17,2
7	Ø8M;1,5L	5,0	40,0	1,0	57,1	16		35,0	10,0	3,4	54,7
8	Ø8M;1,5L	22,5	22,5	1,0	57,1	17		35,0	10,0	22,1	36,0
9	Ø8M;1,5L	40,0	5,0	1,0	57,1	18		35,0	10,0	40,9	17,2

**Drawers**

Project Number : 830

www.bricomagic.com

jason

Pg. :34

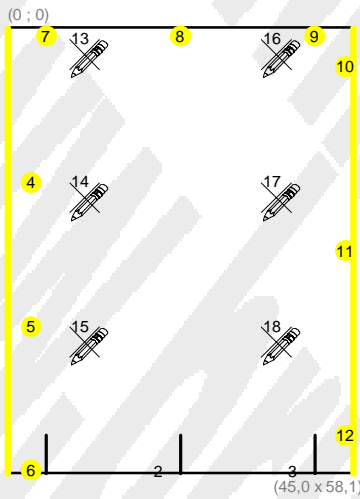
20 01 2005 04:49 p

**PIECES PERFORMING**

PANEL :2

SIZE :45,0 x 58,1 SCALE : 1 / 1000,00

PART : C2 (My furniture)

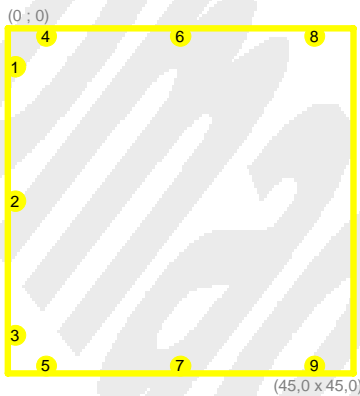


#	←	→	↑	↓	#	←	→	↑	↓		
1	Ø8M;2,6L	5,0	40,0	58,1	0,0	10	Ø8M;1,5L	44,0	1,0	5,0	53,1
2	Ø8M;2,6L	22,5	22,5	58,1	0,0	11	Ø8M;1,5L	44,0	1,0	29,0	29,1
3	Ø8M;2,6L	40,0	5,0	58,1	0,0	12	Ø8M;1,5L	44,0	1,0	53,1	5,0
4	Ø4.5M;0,6L	3,0	42,0	20,1	38,0	13		10,0	35,0	3,4	54,7
5	Ø4.5M;0,6L	3,0	42,0	38,9	19,2	14		10,0	35,0	22,1	36,0
6	Ø4.5M;0,6L	3,0	42,0	57,6	0,5	15		10,0	35,0	40,9	17,2
7	Ø8M;1,5L	5,0	40,0	1,0	57,1	16		35,0	10,0	3,4	54,7
8	Ø8M;1,5L	22,5	22,5	1,0	57,1	17		35,0	10,0	22,1	36,0
9	Ø8M;1,5L	40,0	5,0	1,0	57,1	18		35,0	10,0	40,9	17,2

PANEL :2

SIZE :45,0 x 45,0 SCALE : 1 / 1000,00

PART : A (My furniture)



**Drawers**

Project Number : 830

www.bricomagic.com

jason

Pg. :35

20 01 2005 04:49 p

**PIECES PERFORMING**

#		←⊖	⊖→	⊖↑	⊖↓	#		←⊖	⊖→	⊖↑	⊖↓
1	Ø8M;1,5L	1,0	44,0	5,0	40,0	6	Ø8M;1,5L	22,5	22,5	1,0	44,0
2	Ø8M;1,5L	1,0	44,0	22,5	22,5	7	Ø8M;1,5L	22,5	22,5	44,0	1,0
3	Ø8M;1,5L	1,0	44,0	40,0	5,0	8	Ø8M;1,5L	40,0	5,0	1,0	44,0
4	Ø8M;1,5L	5,0	40,0	1,0	44,0	9	Ø8M;1,5L	40,0	5,0	44,0	1,0
5	Ø8M;1,5L	5,0	40,0	44,0	1,0						

## HOW TO PROCED

---

1. Cut the panel according de **SAWING LAYOUT** chapter.
2. Buy the accessories listed in **BILL OF MATERIALS** chapter.
3. Work on each part according each **PIECES PERFORMING** chapter.
4. Mount each furniture according each **MOUNTING** chapter.