



Fern Pedestal

We searched high and low for a substantial-looking pedestal for our favorite fern. The ones we found were either too skimpy looking or so expensive that it would require a second mortgage on our home to purchase one. This pedestal is not only good looking, but really cheap to build.



Materials

- 1 sheet (4' x 8') of 3/8" plywood
- 12 linear feet of 1 x 2 pine
- 15 linear feet of 5-1/4" crown molding
- 12 linear feet of 3/4" screen molding

Hardware

- 24 1-1/2" screws
- 60 1-1/4" screws
- Handful of 1" 2d finishing nails

Cutting List

Code	Description	Qty.	Materials	Dimensions
A	Long Support	6	1 x 2 pine	11-1/4" long
B	Short Support	6	1 x 2 pine	9-3/4" long
C	Narrow Side	2	3/8" plywood	11-1/4" x 48"
D	Wide Side	2	3/8" plywood	12" x 48"
E	Top/Bottom	2	3/8" plywood	20" x 20"

Making the Inner Supports

1. Because it is made of relatively thin plywood, the pedestal requires inner supports. Cut six long supports (A) from 1 x 2 pine, each measuring 11-1/4" long.
2. Cut six short supports (B) from 1 x 2 pine, each measuring 9-3/4" long.
3. Place two long supports (A) on a level surface, parallel to each other and 9-3/4" apart. Fit two short supports (B) between the ends of the two long supports (A), as shown in *Figure 1*. Screw the long supports (A) into the ends of the short supports (B), using two 1-1/2" screws on each joint.
4. Repeat Step 3 twice to construct two more support assemblies.

Adding the Plywood

5. Cut two narrow sides (C) of 3/8" plywood, each measuring 11-1/4 x 48 inches. Make certain that you cut the plywood so that the surface design runs along the 48" length.
6. Place the three support assemblies, short inner support (B) side down, on a level surface, parallel to each other and 21-3/4 inches apart. Fit one narrow side (C) over the three support assemblies, as shown in *Figure 2*. The two outer support assemblies should be flush with the ends of the narrow side (C). Apply glue to the meeting surfaces, and screw through the narrow side (C) into the support assemblies, using three 1-1/4" screws on each joint.
7. Repeat Step 2 to attach the remaining narrow side (C) to the opposite side of the three support assemblies.
8. Cut two wide sides (D) from 3/8" plywood, each measuring 12 x 48 inches. Again, make certain that the plywood design runs with the 48-inch length.

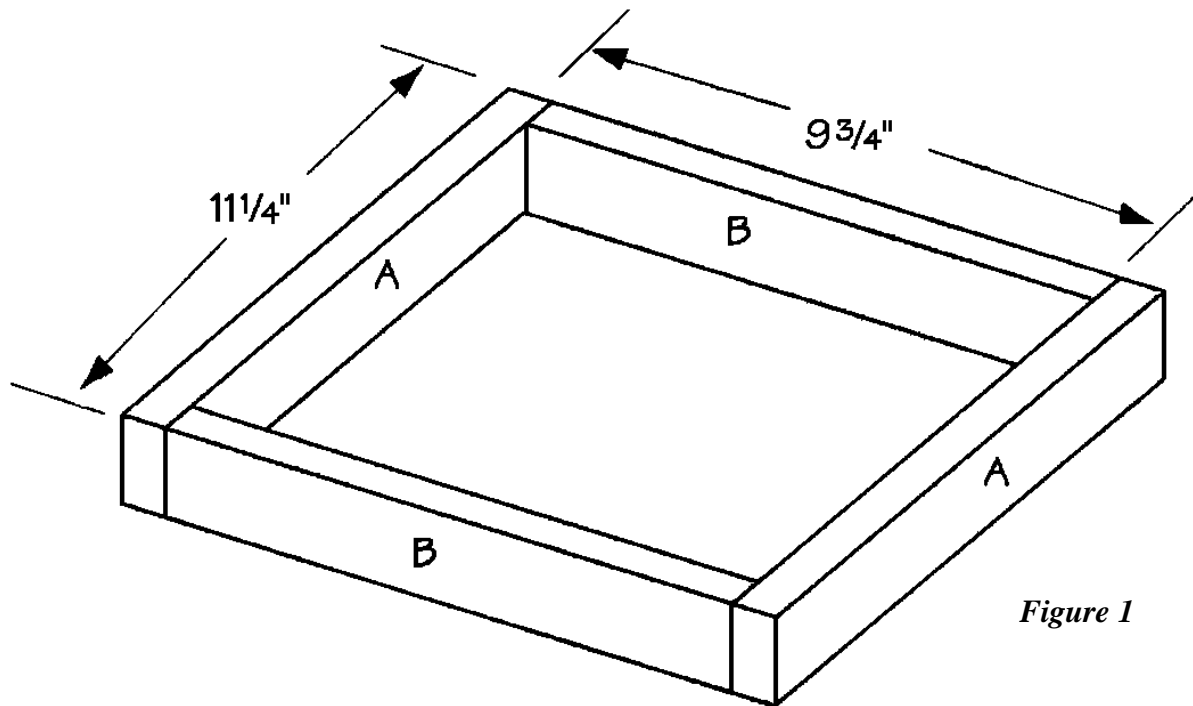


Figure 1

9. Place the support assemblies and attach narrow sides (C) on a level surface. Fit one wide side (D) over the edges of the narrow sides (C). Apply glue to the support assemblies and the edges of the narrow sides. Screw through the wide side (D) into the support assemblies, using three 1-1/4" screws on each joint, and nail through the wide side (D) into the edges of the narrow sides (C), using 1-inch 2d finishing nails spaced every 6 inches.
10. Repeat Step 5 to attach the remaining wide side (D) to the support assemblies.

Adding the Top and Bottom

11. Cut two top/bottoms (E) from 3/8" exterior plywood, each measuring 20 x 20 inches.
12. Center one top/bottom over one open end of the pedestal assembly, so that the top/bottom extends 4 inches over each of the plywood sides. Apply glue to the meeting surfaces, and screw through the top/bottom (E) into the support assembly using three 1-1/4" screws on each side.
13. Repeat Step 2 to attach the remaining top/bottom (E) to the other open end of the pedestal assembly.

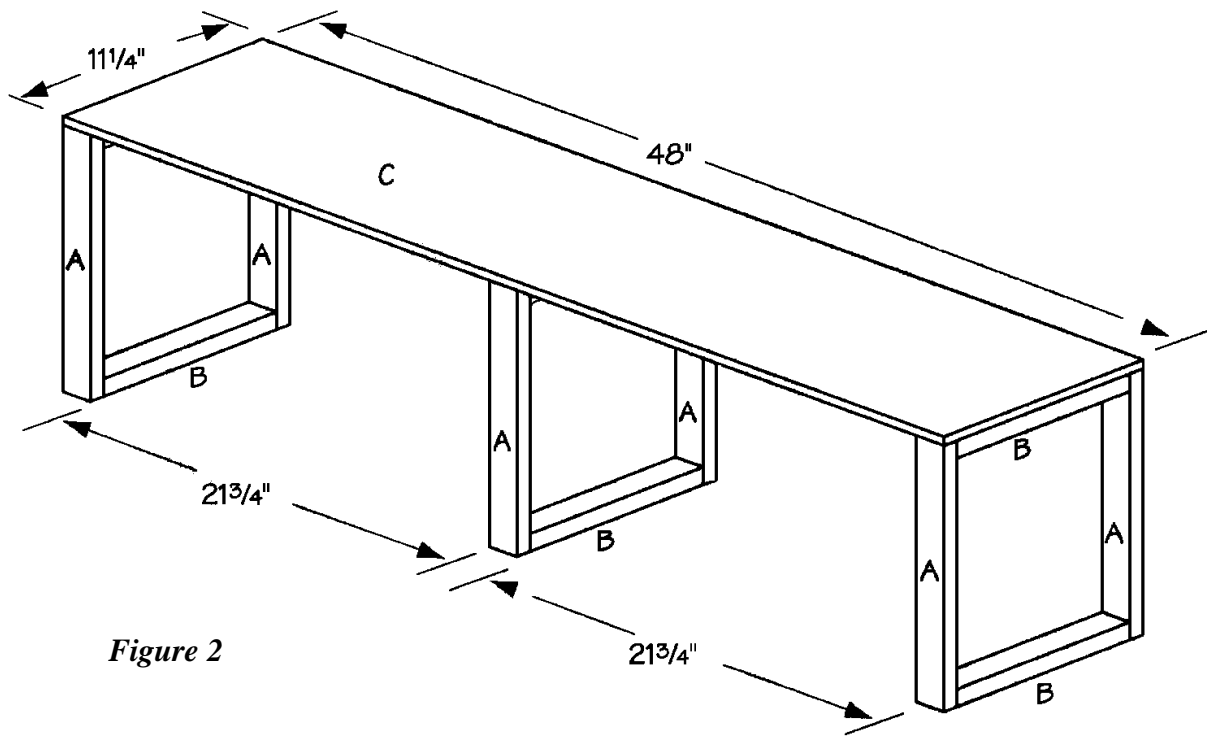


Figure 2

Adding the Molding

14. Carefully cut and fit the crown molding on all four sides of the top and bottom of the completed planter. It should be attached to the top/bottom (E) and the sides of the pedestal. Apply glue to the meeting surfaces, and use 1" 2d finishing nails about every 3 inches. Make sure the nails don't go through the top/bottoms (E).
15. Cut and fit $\frac{3}{4}$ " screen molding to cover the exposed plywood edges of the top/bottom (E). Apply glue to the molding, and use 1" 2d finishing nails about every 3 inches.

Finishing

16. Fill any cracks, crevices, or screw holes with wood filler and thoroughly sand all surfaces of the completed pedestal.
17. Seal and paint or stain your pedestal the color of your choice.