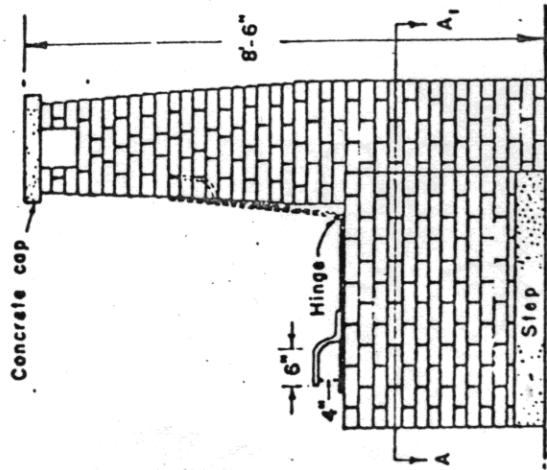
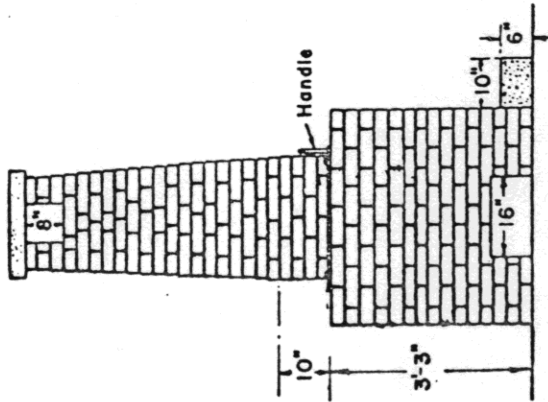


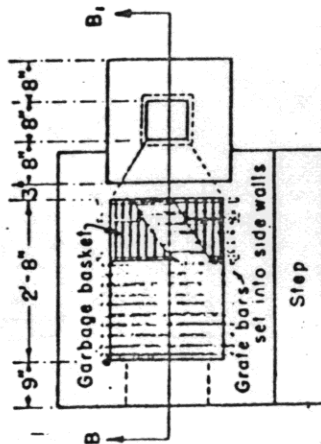
Grate bars are  $\frac{1}{2}$ " rd. iron rods set 4" into the side walls and 2" o.c. The garbage basket is made of  $\frac{3}{8}$ " rd. iron rods  $1\frac{1}{2}$ " apart run thru holes drilled in  $\frac{1}{2}$ " x  $1\frac{1}{2}$ " iron bars. These bars are also set 4" into the side walls.



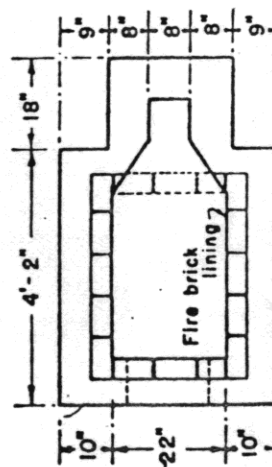
SIDE ELEVATION



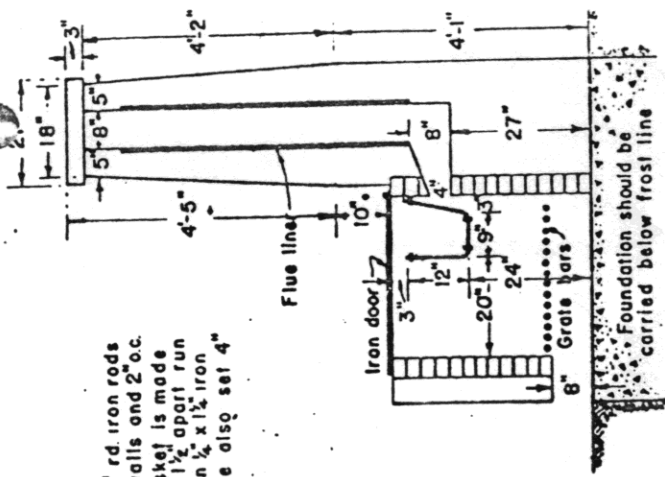
FRONT ELEVATION



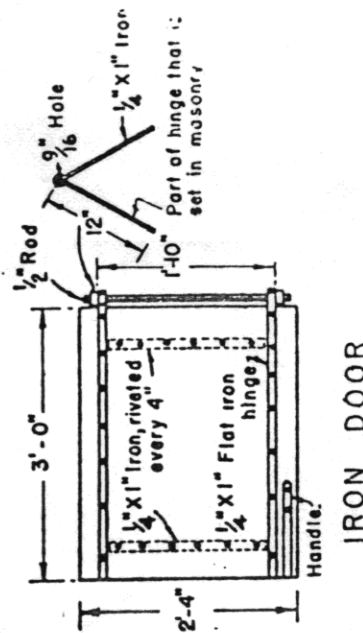
PLAN



SECTION A-A  
Showing chimney throat



SECTION B-B



IRON DOOR