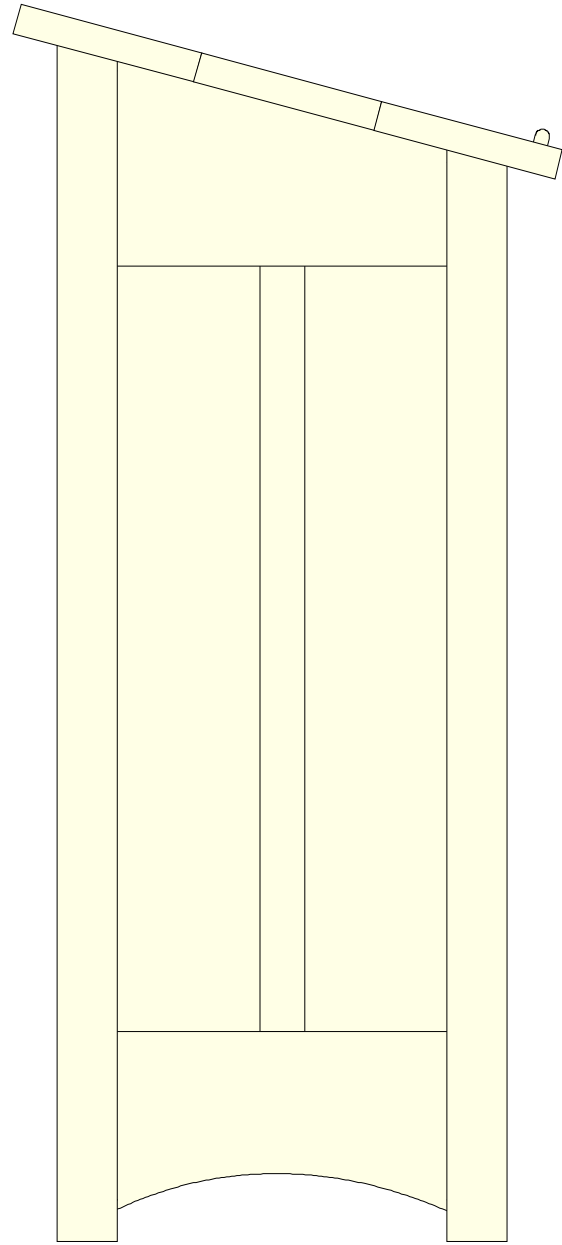


AKERS

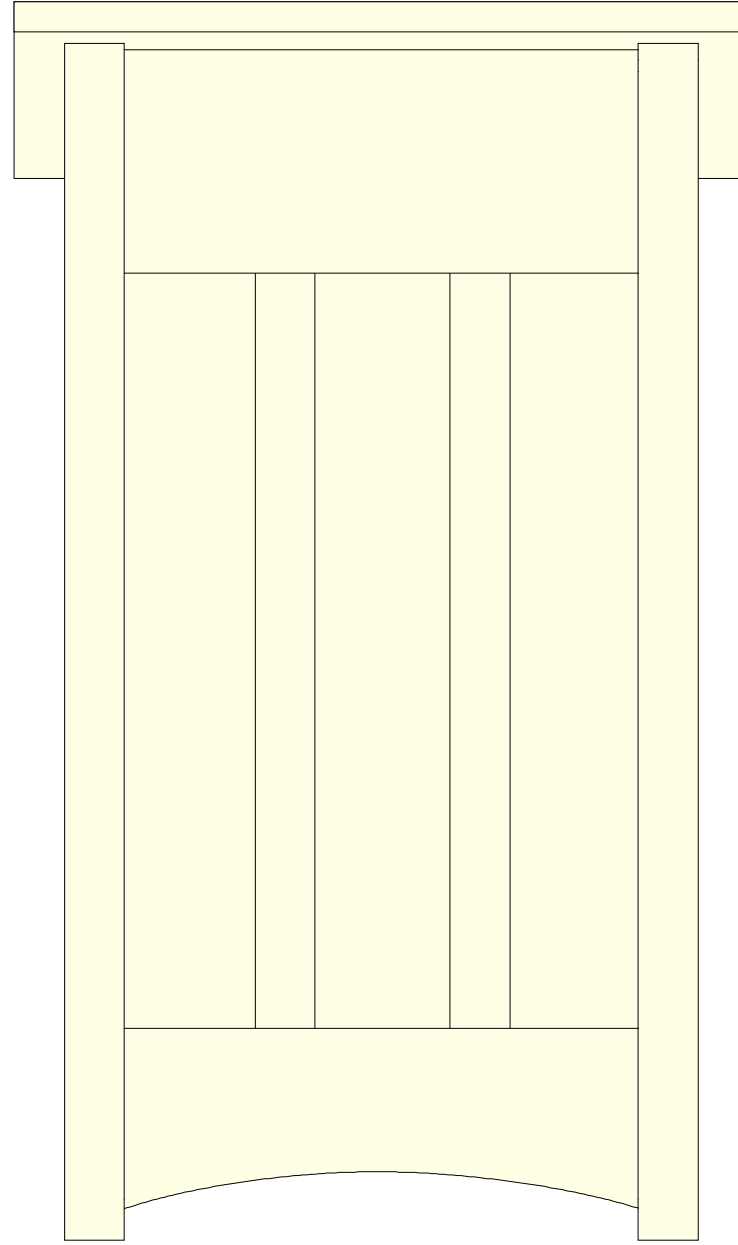
Craftsman Lectern

Walt Akers - 2000

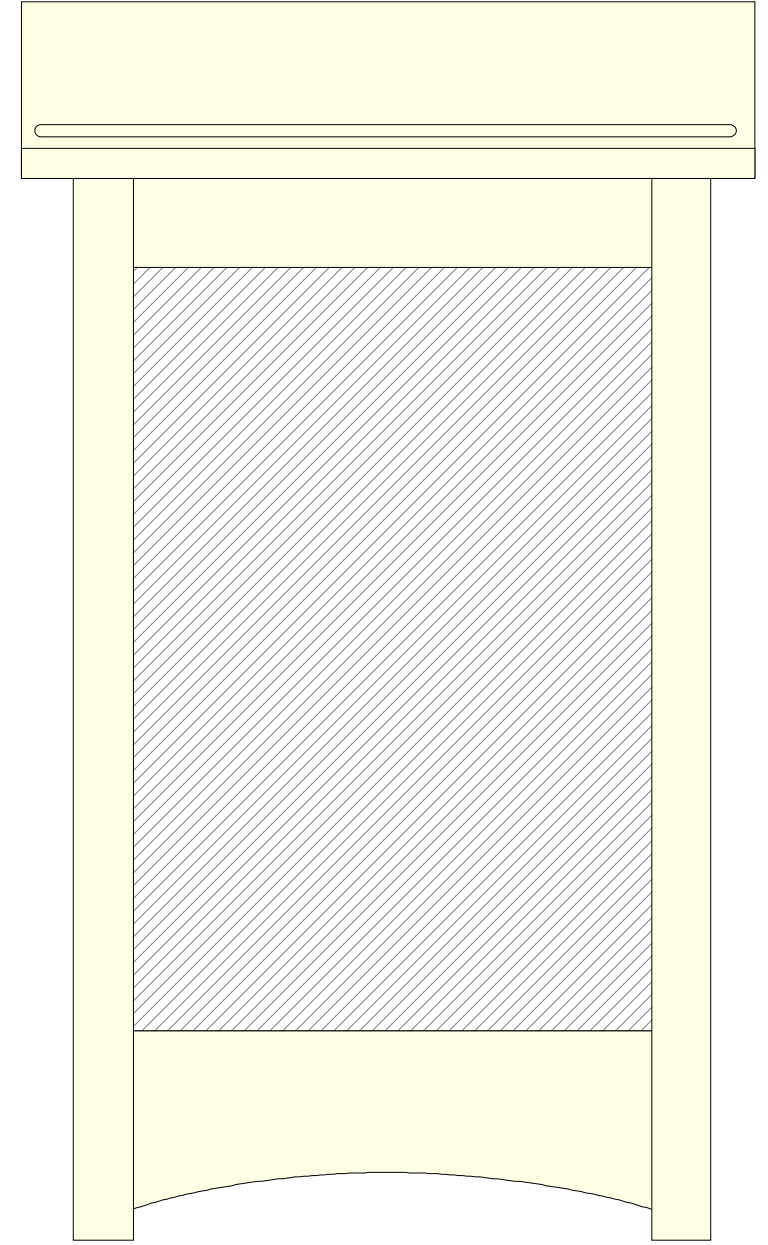
Directional Views of Table



Side View



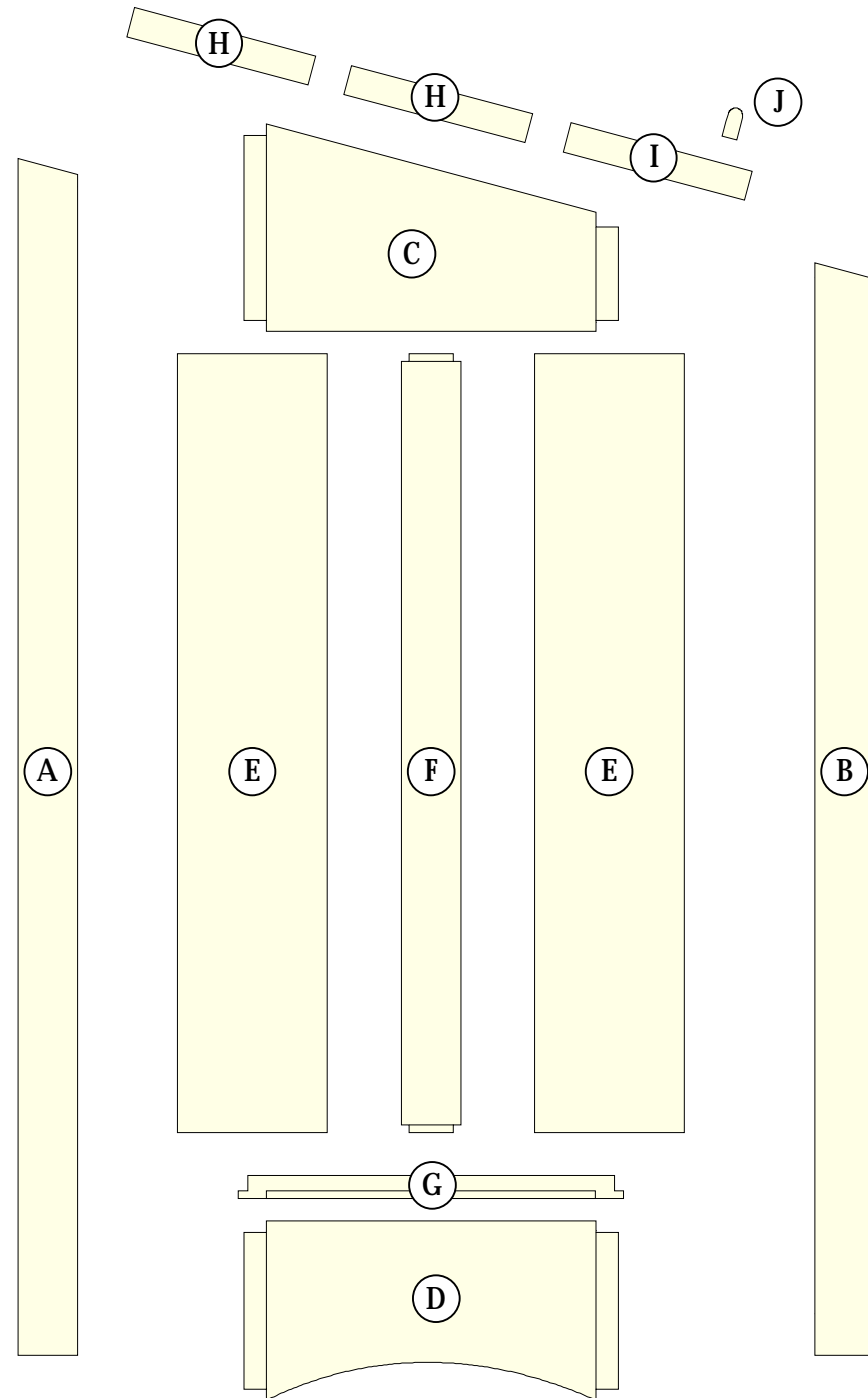
Front View



Rear View

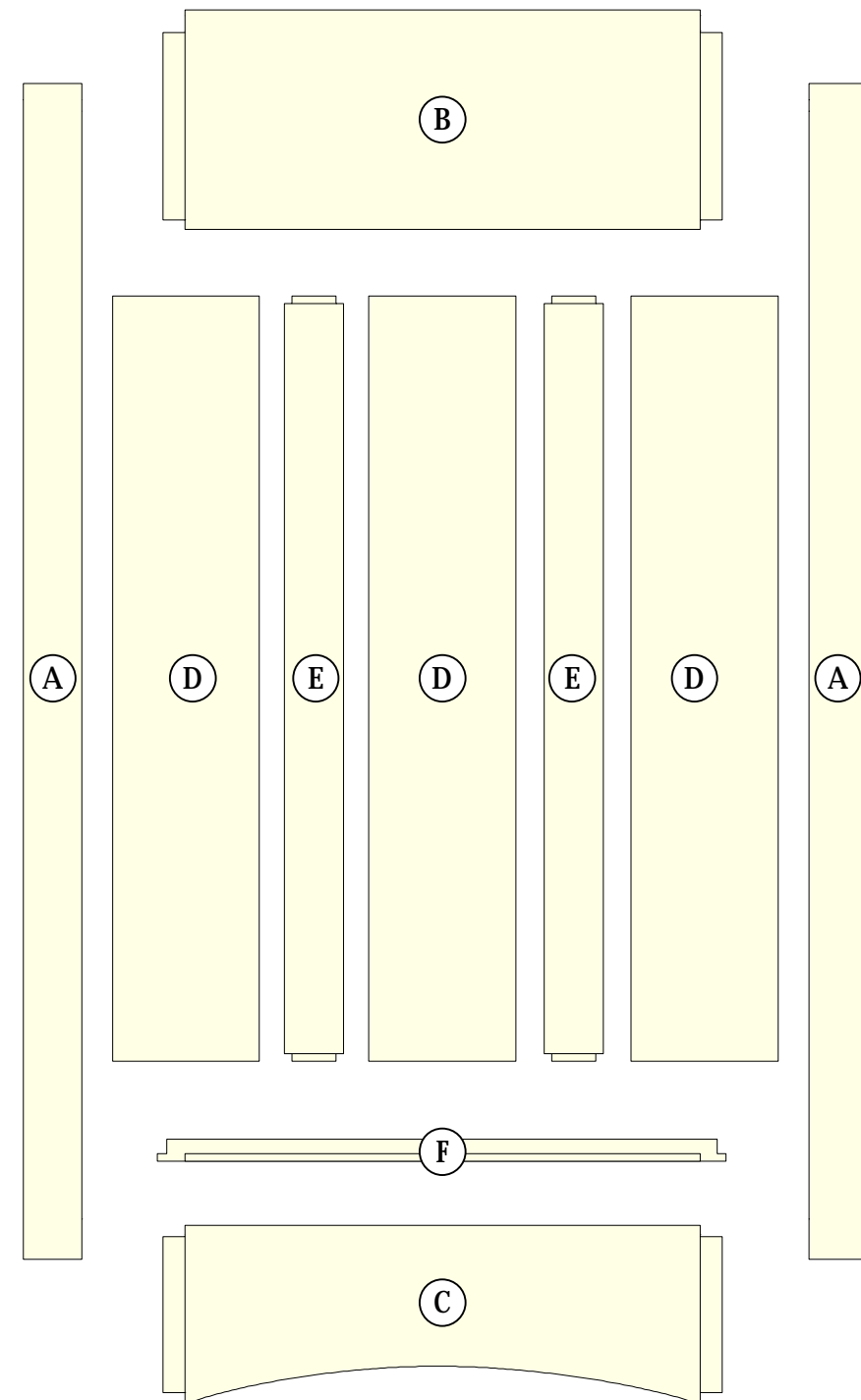
Exploded Side View of Lectern

- | | |
|--------------------|----------------------|
| A) Front Leg | F) Muntin |
| B) Rear Leg | G) Bottom Shelf |
| C) Upper Side Rail | H) Top Plank |
| D) Lower Side Rail | I) Grooved Top Plank |
| E) Panel | J) Ledge |



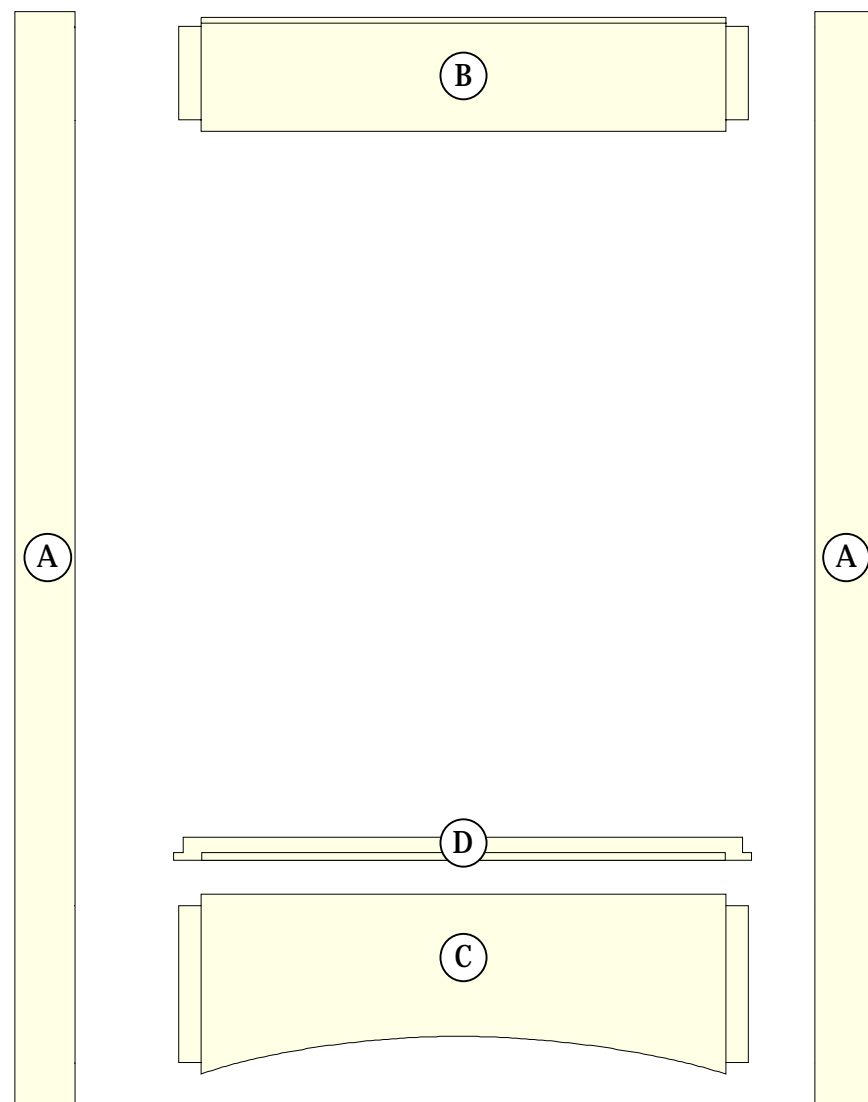
Exploded Front View of Lectern

- | | |
|---------------------|-----------------|
| A) Front Leg | D) Panel |
| B) Upper Front Rail | E) Muntin |
| C) Lower Front Rail | F) Bottom Shelf |



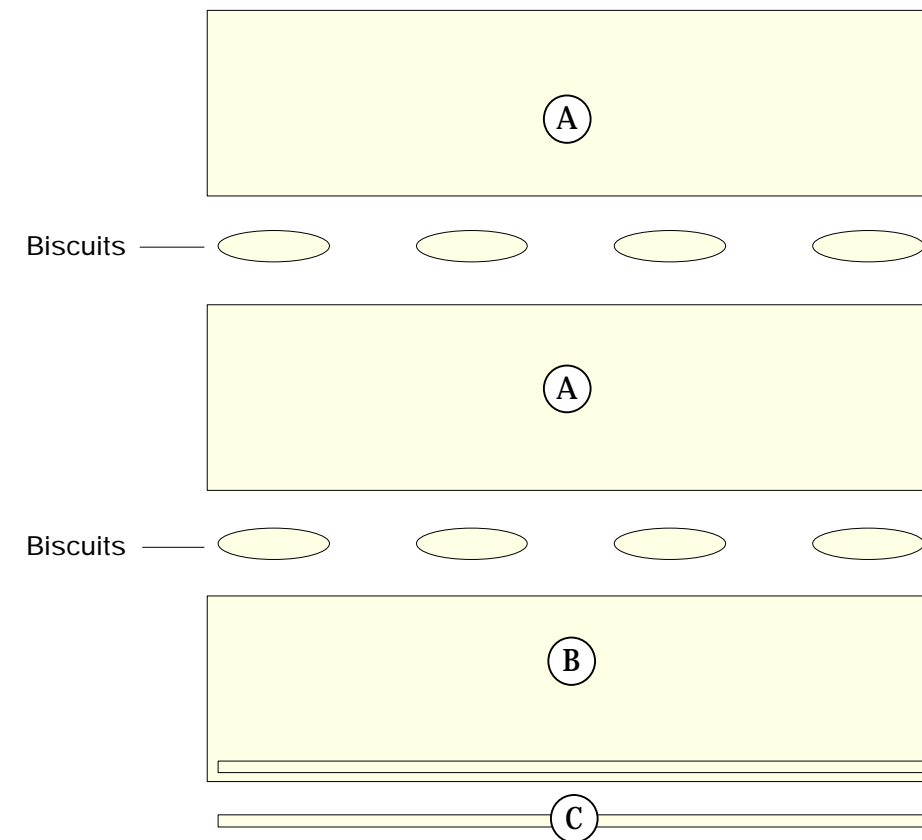
Exploded Rear View of Lectern

- A) Rear Leg
- B) Upper Front Rail
- C) Lower Front Rail
- D) Bottom Panel



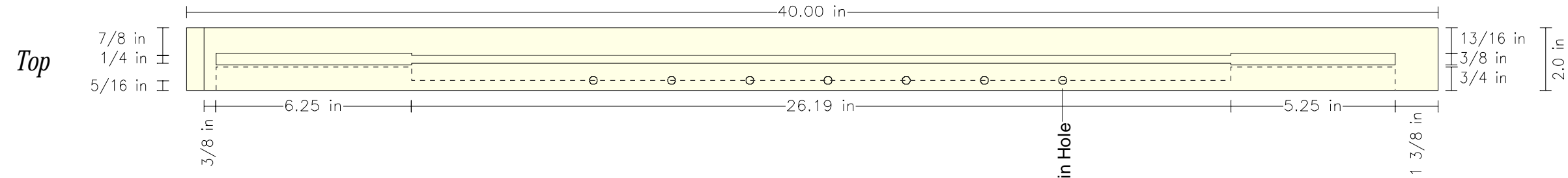
Exploded View of Lectern Table

- A) Top Plank
- B) Grooved Top Plank
- C) Ledge

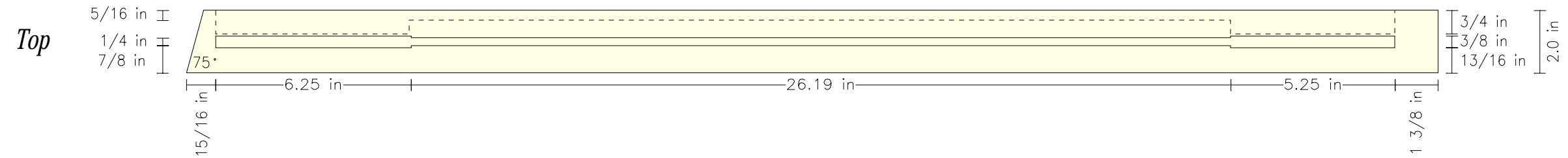


Right Front Leg

Rear View



Side View

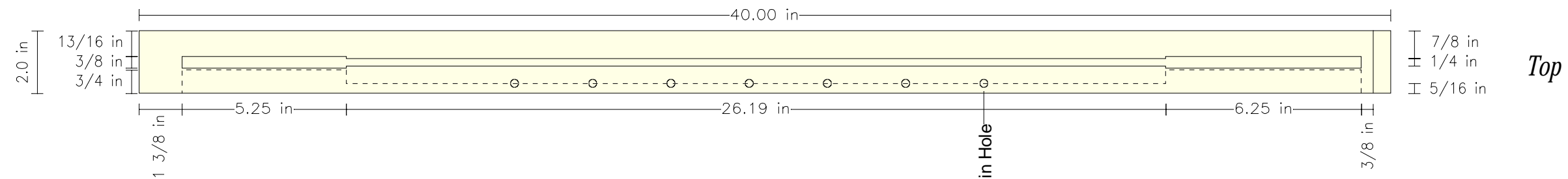


Note A : Left and right is given as seen when standing behind the lectern.

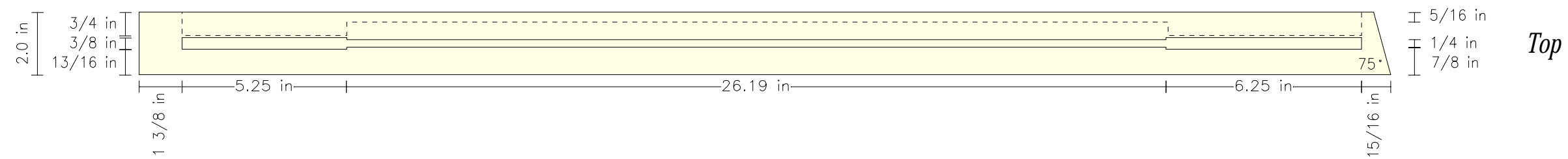
Note B : Shelf pin holes are optional and are only shown to illustrate their general position. The actual location of the holes (if installed) will depend on the diameter and length of the pins and the number of possible shelf positions that the builder wants to facilitate.

Left Front Leg

Rear View



Side View

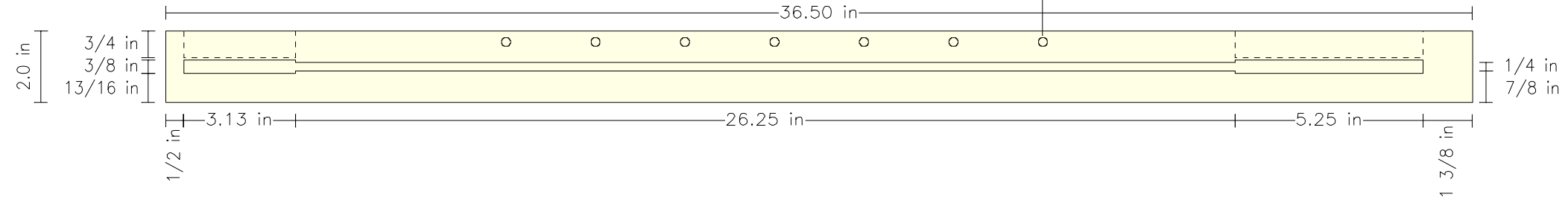


Right Rear Leg

Front View

Shelf Pin Hole

Top

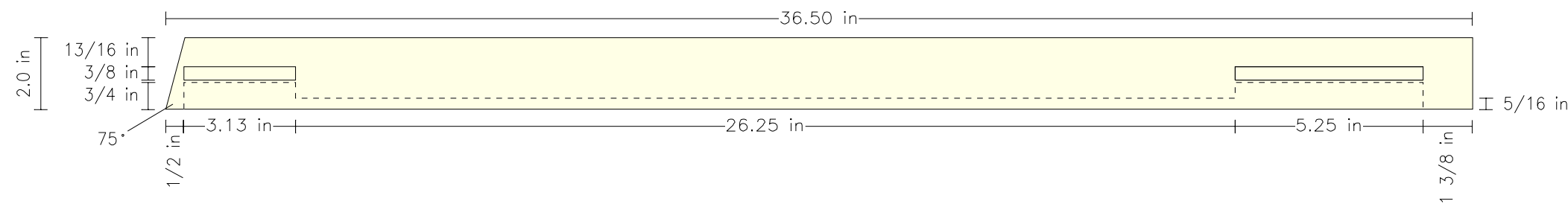


Note A : Left and right is given as seen when standing behind the lectern.

Note B : Shelf pin holes are optional and are only shown to illustrate their general position. The actual location of the holes (if installed) will depend on the diameter and length of the pins and the number of possible shelf positions that the builder wants to facilitate.

Side View

Top

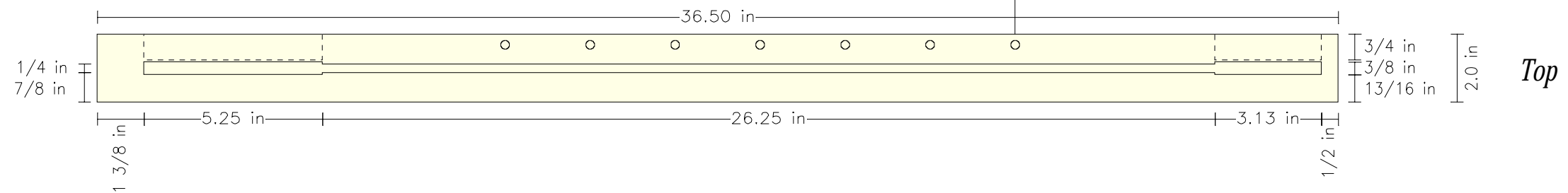


Left Rear Leg

Front View

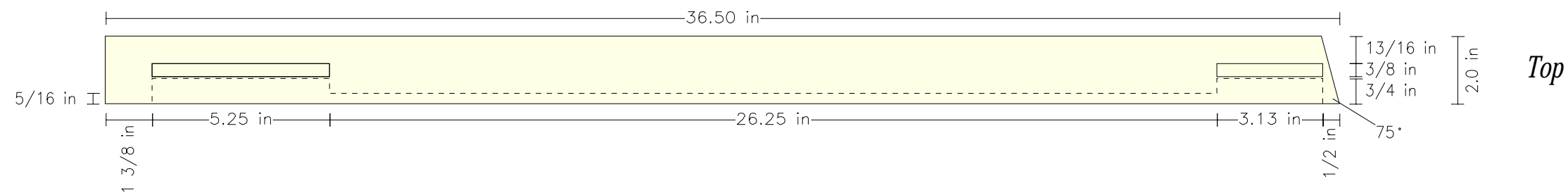
Shelf Pin Hole

Top



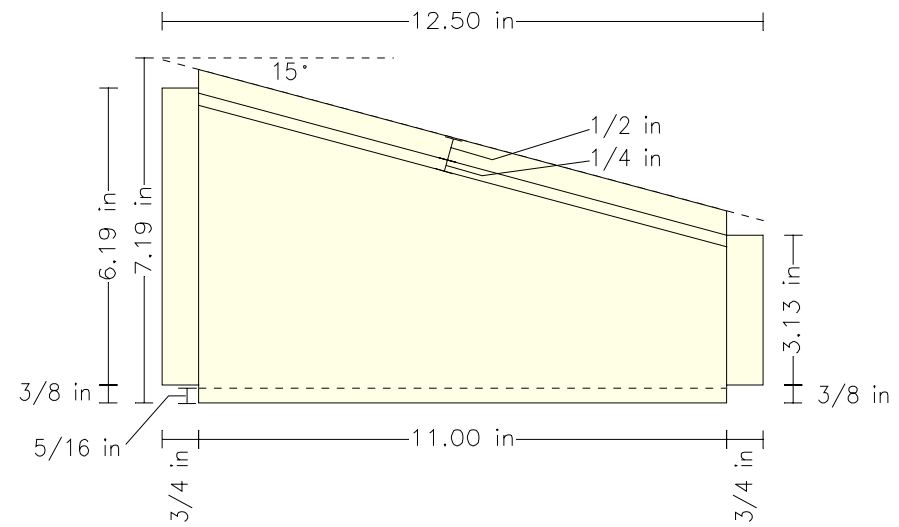
Side View

Top

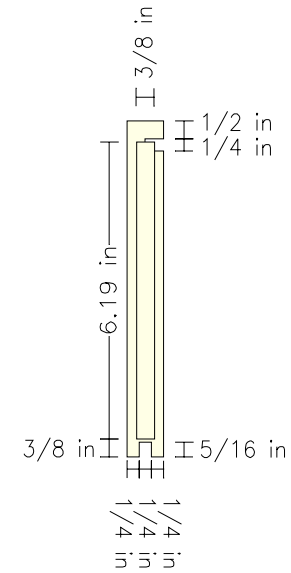


Right Upper Side Rail

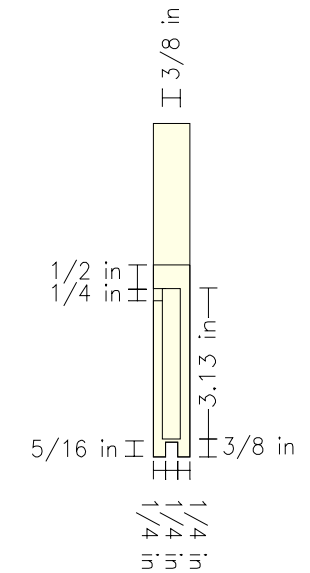
Side View



Front View

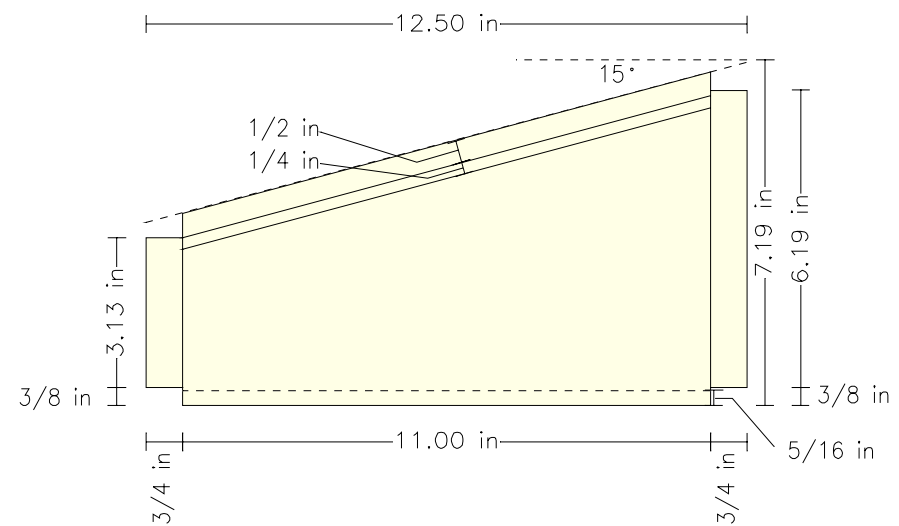


Rear View

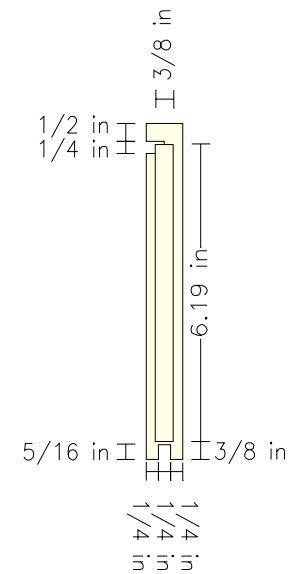


Left Upper Side Rail

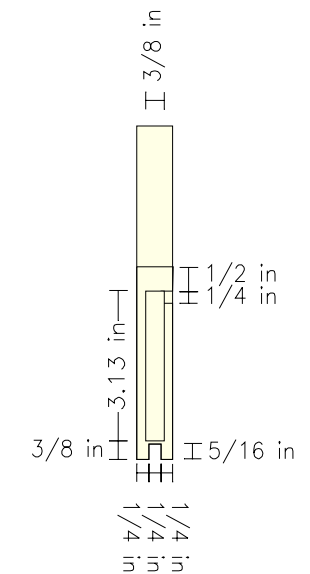
Side View



Front View

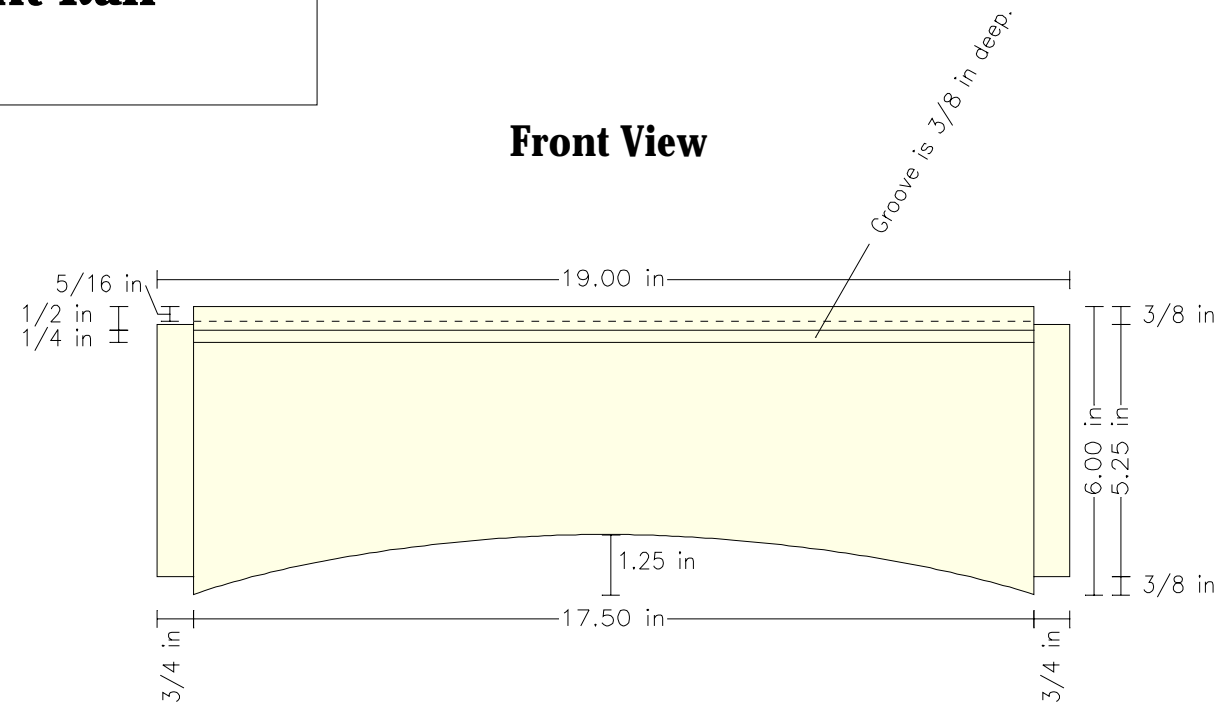


Rear View

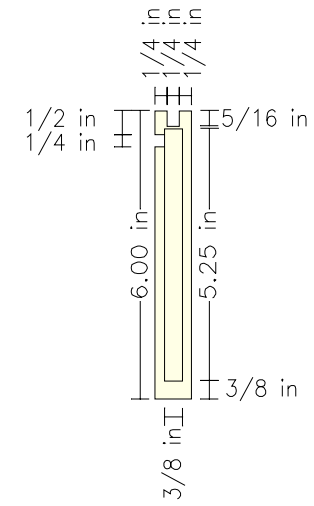


Lower Front Rail

Front View

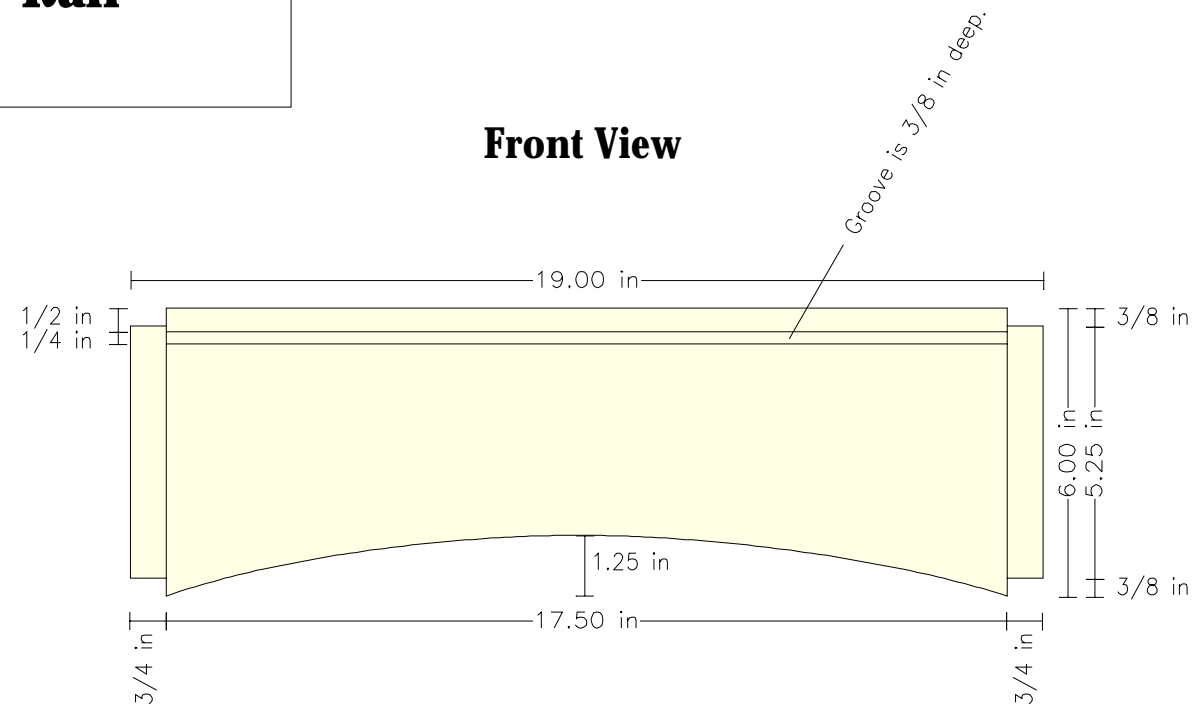


Side View

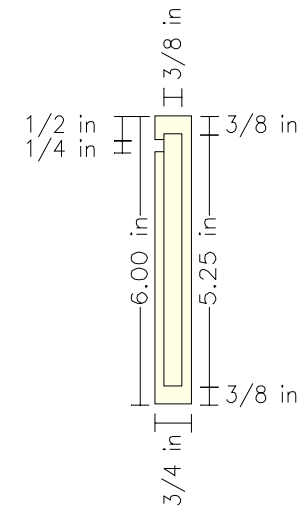


Lower Rear Rail

Front View

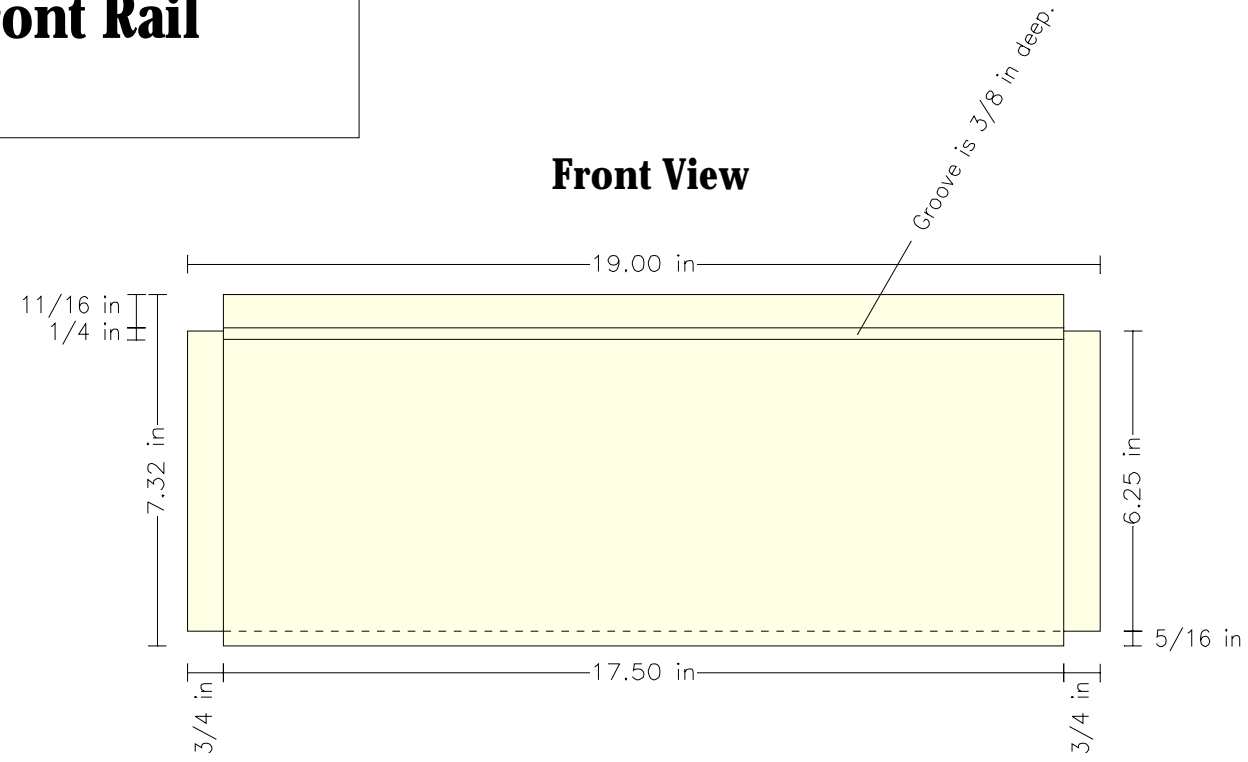


Side View

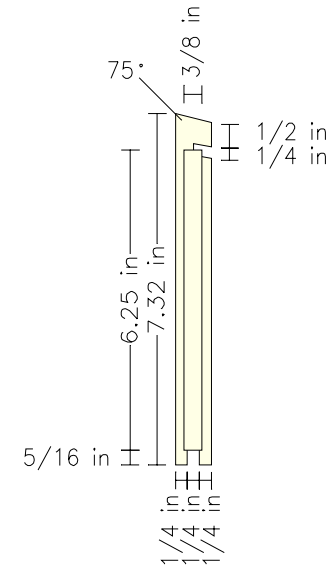


Upper Front Rail

Front View

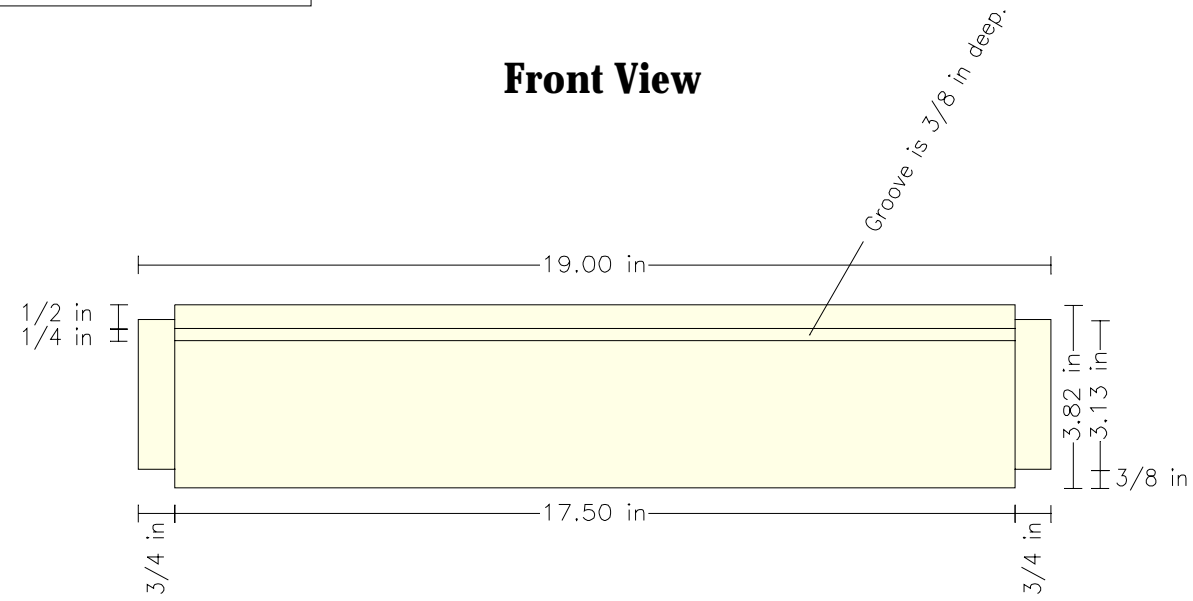


Side View

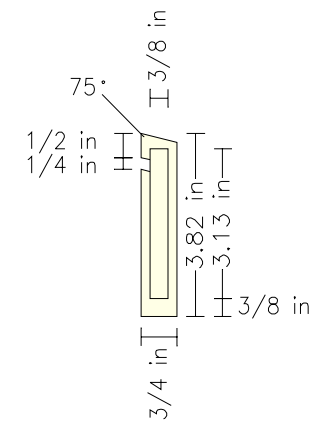


Upper Rear Rail

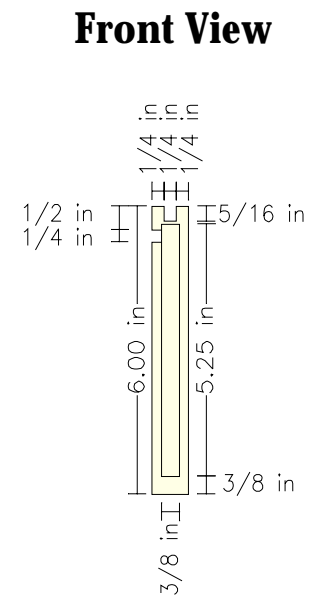
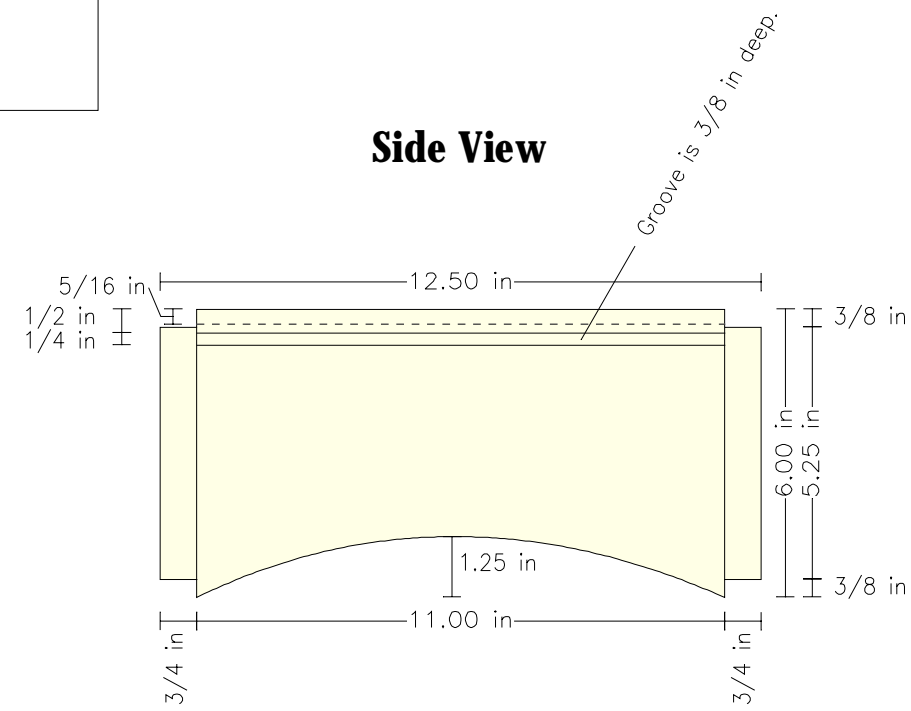
Front View



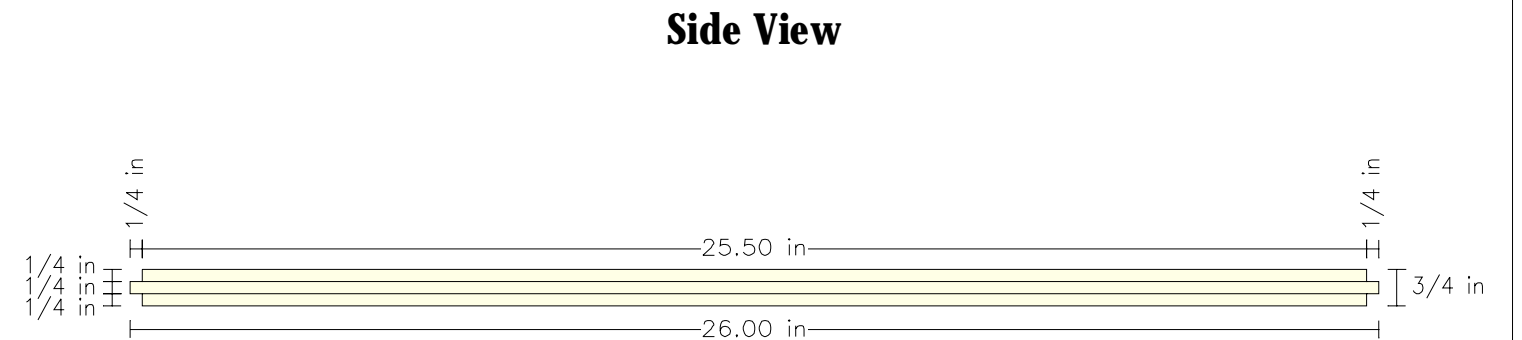
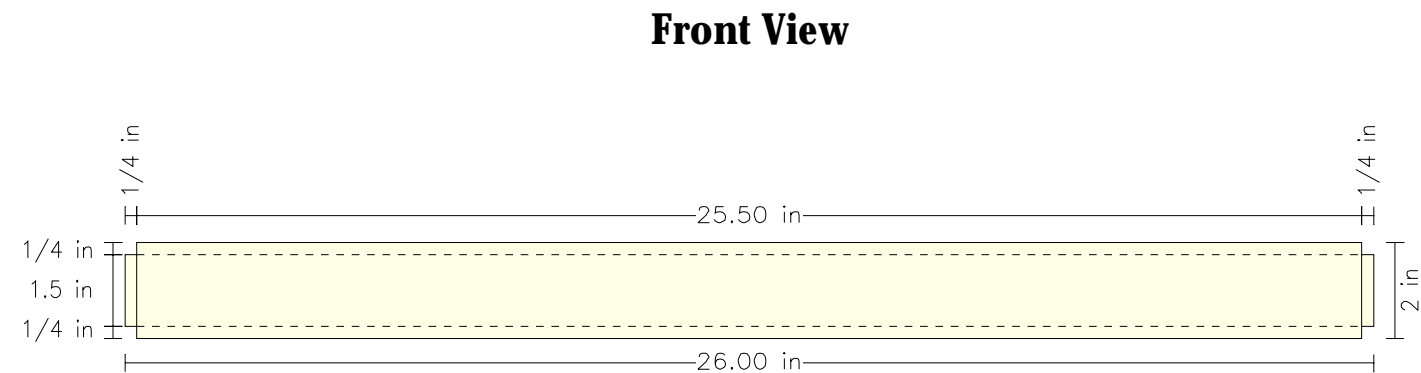
Side View



**Lower Side Rail
2 Each**

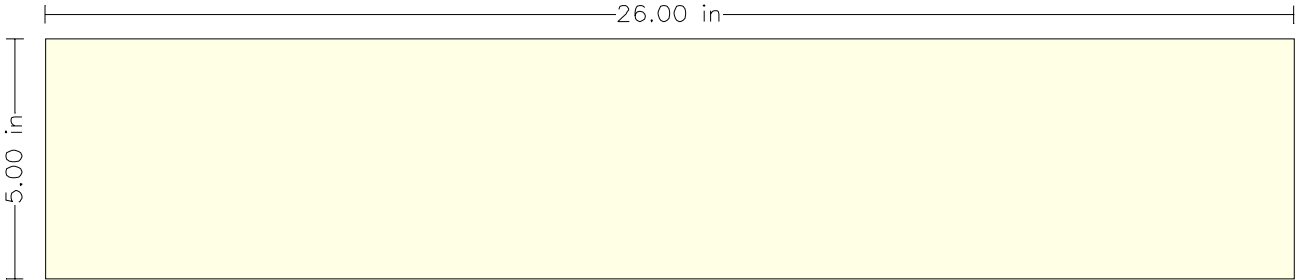


**Muntin
4 Each**

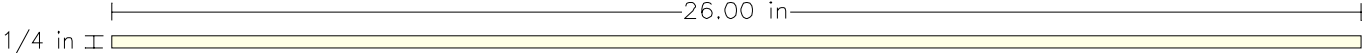


**Panel
7 Each**

Front View

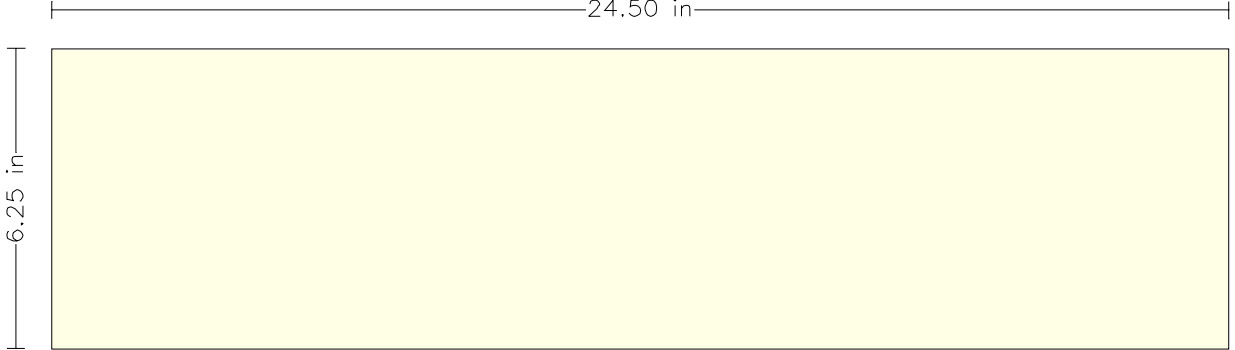


Side View

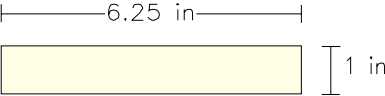


**Top Plank
2 Each**

Front View

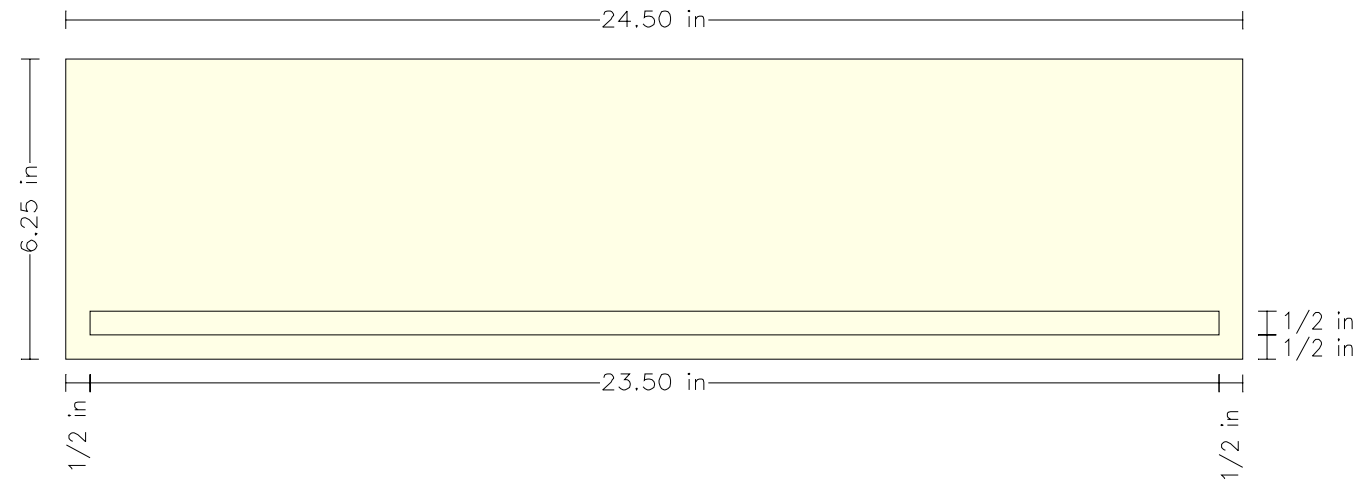


Side View

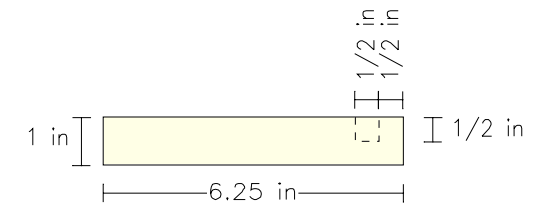


Grooved Top Plank (the ledge is inserted in the groove)

Front View

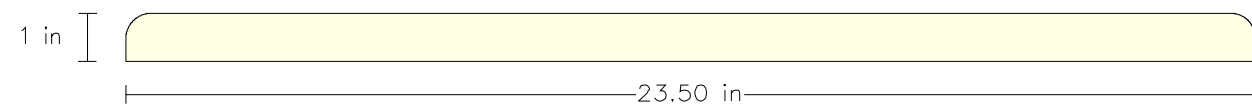


Side View

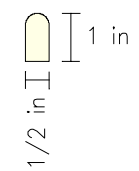


Ledge

Front View

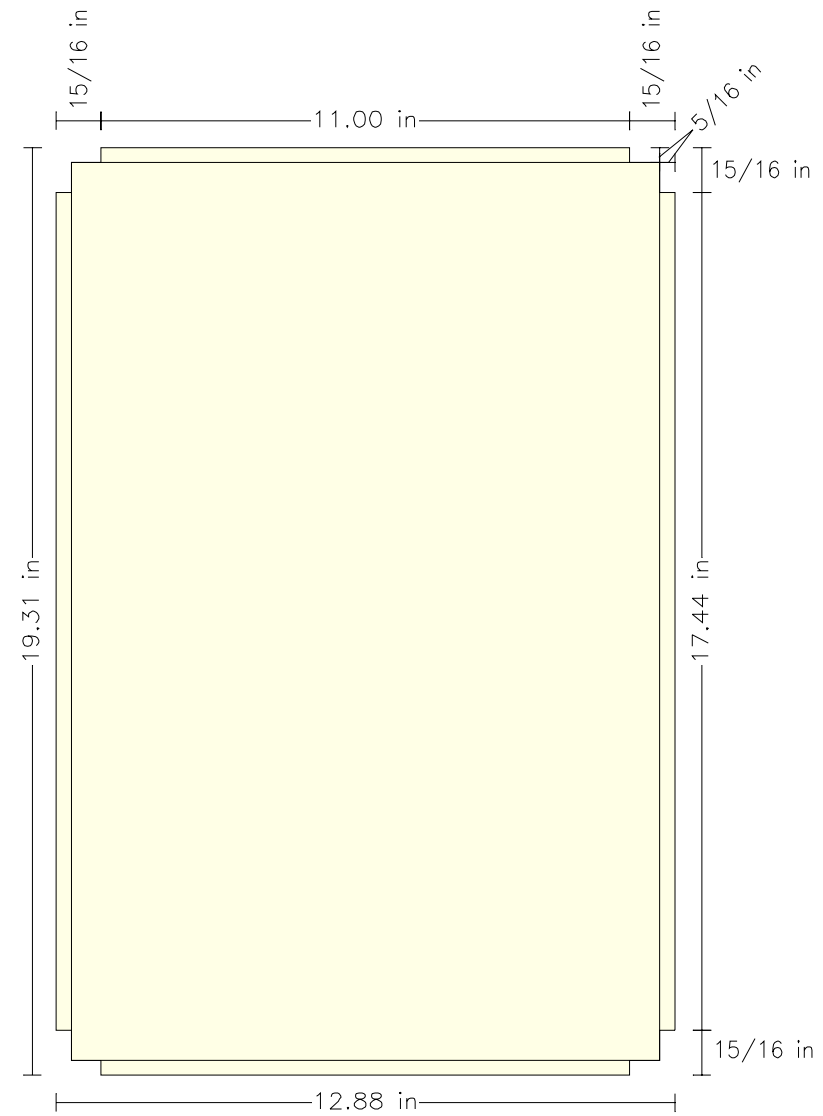


Side View

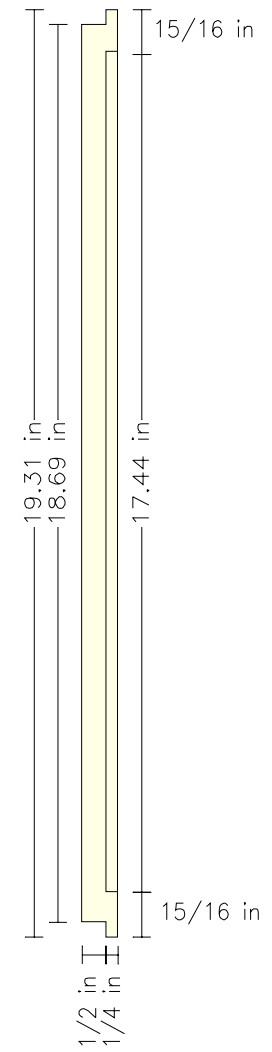


Bottom Shelf
(3/4 in cabinet grade plywood)

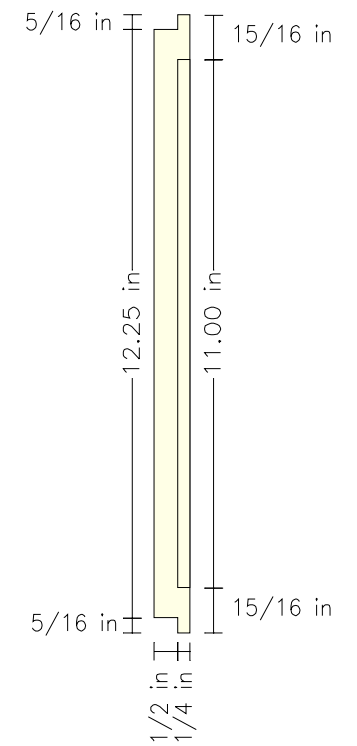
Top View



Front View

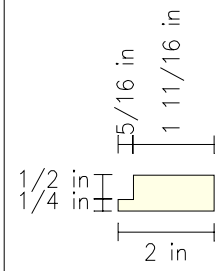


Side View

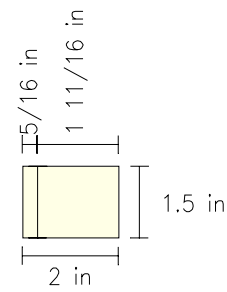


Wooden Clips

Attaches Tabletop to Lectern Cabinet



Top View



Side View

Exploded Diagram of Wooden Clips

