

Schedule of Materials: Morris Chair

Chair frame

No.	Item	Dimensions T W L	Comments
2	Front legs	1 5/8" x 3 3/4" x 21"	1/2" TOE
2	Back legs	1 5/8" x 2 1/4" x 21"	1/2" TOE
2	Applied sides	1 5/8" x 1 3/16" x 4"	
1	Front rail	3/4" x 4 3/4" x 22"	3/4" TBE
2	Side rails	3/4" x 4 3/4" x 24"	3/4" TBE
1	Back rail	7/8" x 4 3/4" x 22"	3/4" TBE
2	Side slats	1/2" x 7 5/8" x 11 3/8"	1/2" TBE
2	Arm bldgs	7/8" x 6" x 4 1/2"	
2	Arms	3/4" x 6" x 35 1/4"	
2	Cleats	3/4" x 1 7/8" x 20 1/2"	
1	Back rod	3/4" x 2" x 23 5/16"	

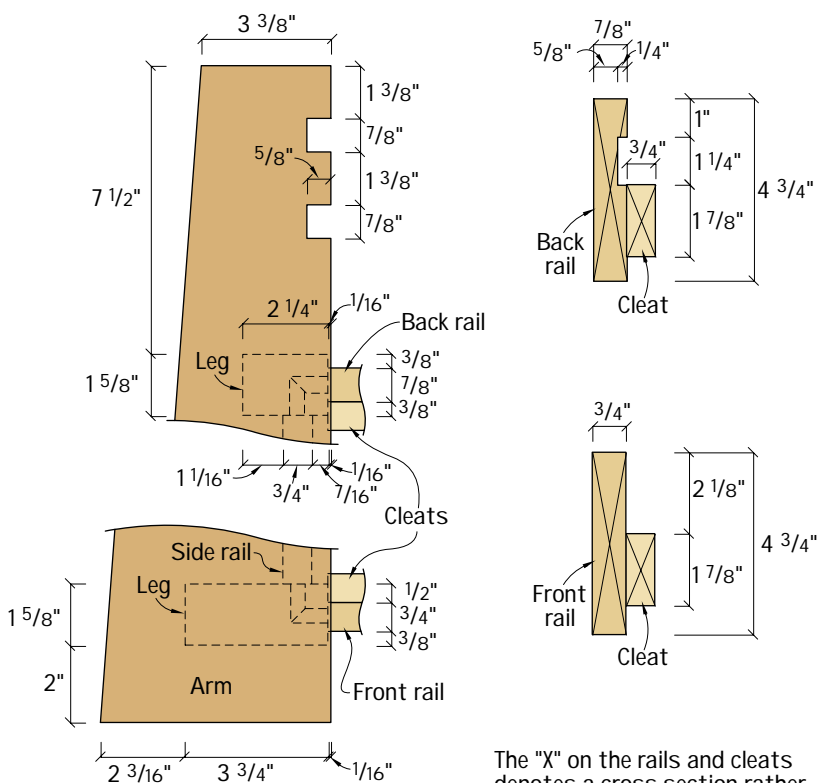
Drop-in seat

No.	Item	Dimensions T W L	Comments
2	Seat stiles	3/4" x 2 1/2" x 23 1/2"	
5	Seat rails	3/4" x 2 1/2" x 17"	3/4" TBE

Adjustable back

No.	Item	Dimensions T W L	Comments
2	Back stiles	3/4" x 1 7/8" x 28 1/4"	
5	Back rails	3/4" x 1 7/8" x 17 1/2"	3/4" TBE
1	Bot rail	3/4" x 3 1/4" x 17 1/2"	3/4" TBE

TOE = tenon on one end • TBE = tenon on both ends



The "X" on the rails and cleats denotes a cross section rather than an end view.