



Wow! I Made It.com

Planter for Cuttings

When my plants overproduce, I clip of the new growth and put it in water until it roots—a procedure which pays off in new plants, but which is also somewhat unsightly. This planter is just large enough to contain the glasses and plastic cups of water that I use for rooting and shows off the green parts of the plants without displaying the unattractive containers.



Special Tools and Techniques

- Bar clamps
- Mitering

Materials and Supplies

- 6 linear feet of $\frac{3}{4}$ x $\frac{3}{4}$ pine
- 10 linear feet of 1 x 6 pine
- 6 linear feet of 1 " x 1" corner molding

Hardware

- Approximately 25 #6 1-1/4" flathead wood screws
- Approximately 50, 3d finishing nails.

Cutting List

Code	Description	Qty.	Materials	Dimensions
A	Side	8	1 x 6 pine	8-1/2" long
B	End	2	1 x 6 pine	8-1/2" long
C	Bottom	1	1 x 6 pine	23-1/2" long
D	Long Trim	2	$\frac{3}{4}$ x $\frac{3}{4}$ pine	23-1/2" long
E	Short Trim	2	$\frac{3}{4}$ x $\frac{3}{4}$ pine	7" long
F	Molding	4	1" x 1" corner molding	Cut to fit (Approx. 62" total)

Constructing the Planter Box

1. Cut ten 8-1/2"-long A and B pieces from 1 x 6 pine. For ease of instruction, we'll refer to eight of these pieces as sides (A) and two as ends (B).
2. Cut a 23-1/2"-long bottom (C) from 1 x 6 pine.
3. Position four sides (A) next to each other on a level surface, as shown in *Figure 1*. Also place two ends (B) on edge at each end. Glue the pieces together, making certain that the assembly is perfectly square, and clamp the side pieces in place. Leave the clamp on for several hours.
4. Glue together the four remaining sides (A), as you did the previous four. Clamp these sides together and leave the lamp in place for several hours.

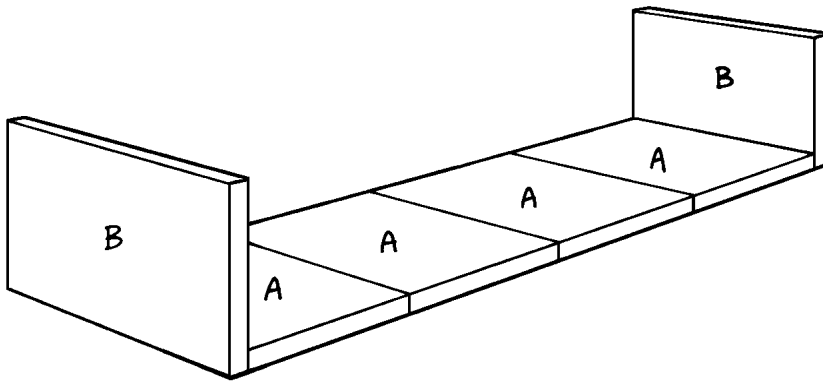


Figure 1

5. To create the long box shown in *Figure 2*, glue the four sides (A) that you assembled in Step 4 between the two ends (B) on the assembly that you constructed in Step 3.
6. Glue the bottom (C) over the exposed edges of the long box assembly, as shown in *Figure 2*. Insert two 1-1/4" screws through the bottom (C) into each of the eight sides (A) and two ends (B).

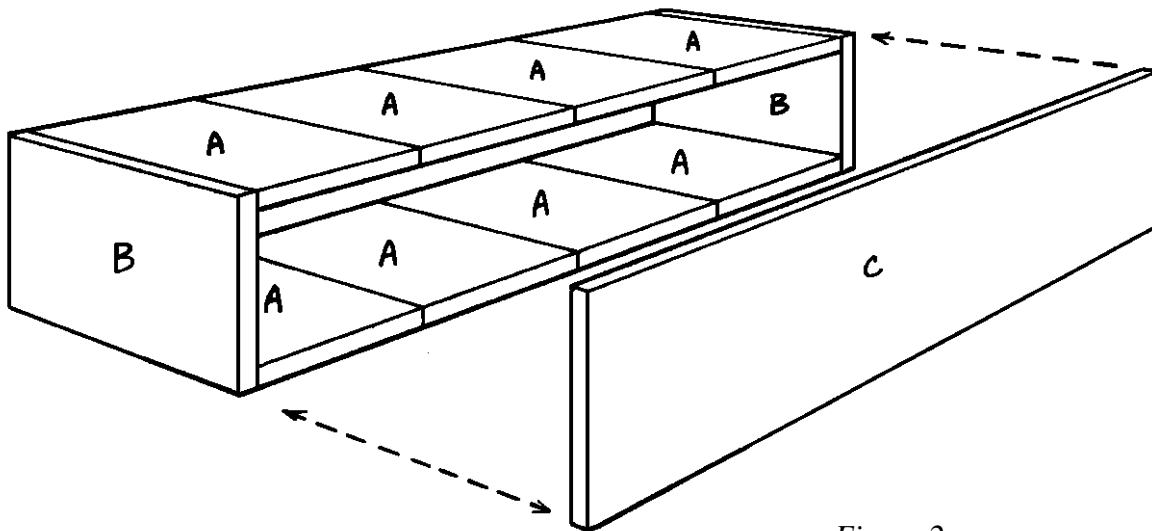


Figure 2

Adding the Trim

1. Cut two long trim pieces (D) from $\frac{3}{4}$ x $\frac{3}{4}$ pine, each measuring 23-1/2" long.
2. Cut two short trim pieces (E) from $\frac{3}{4}$ x $\frac{3}{4}$ pine, each measuring 7" long.
3. Glue one long trim piece (D) along the bottom of the box, placing its bottom edge 5/8" from the bottom of the planter box (see *Figure 3*). Secure the long trim piece (D) in place with 3d finishing nails spaced 4" apart.

4. Repeat Step 3 to attach the other long trim piece (D) to the opposite side of the planter box.
5. Glue one short trim piece (E) to the end of the planter box so that it overlaps the ends of the long trim pieces (see *Figure 3*). Secure the short trim piece (E) with three 3d finishing nails.
6. Repeat Step 5 to attach the remaining short trim piece (E) to the opposite end of the planter box.

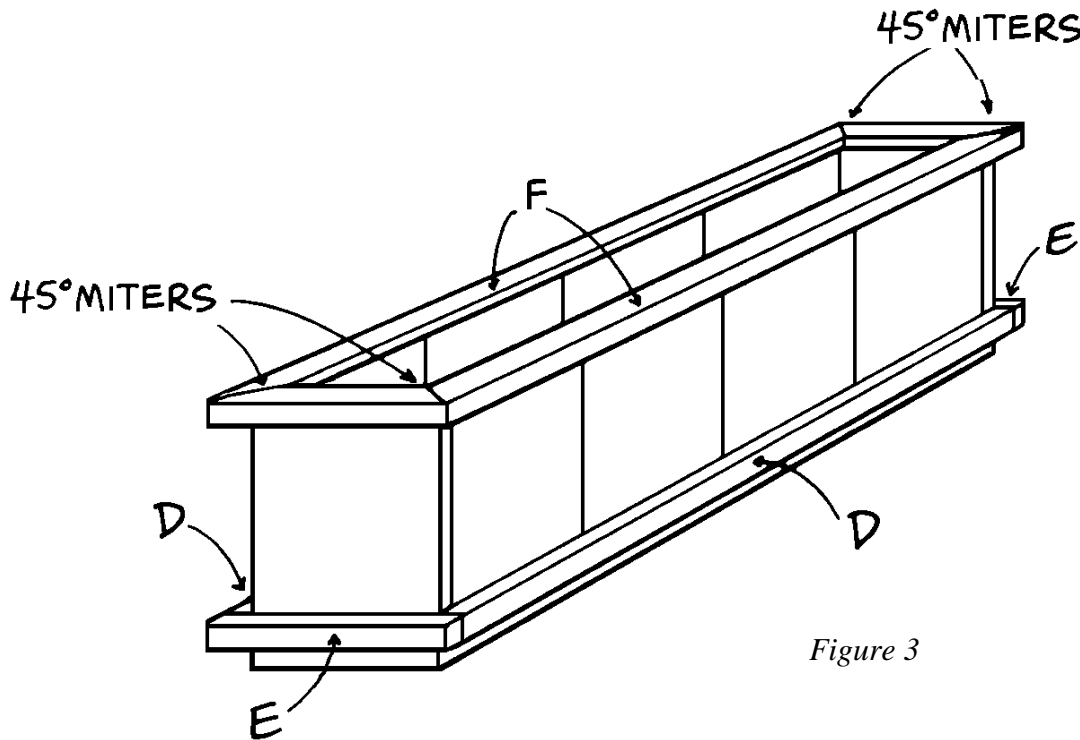


Figure 3

Adding the Corner Molding

1. The top edges of the planter box are concealed by mitered lengths of corner molding (F). Measure and cut four pieces of molding to fit over the top of the planter box, mitering the ends to fit together exactly.
2. Glue the four mitered molding pieces (F) onto the top edges of the planter box. Then secure them with 3d finishing nails spaced about 3" apart on the longer pieces and about 2" apart on the shorter pieces.

Finishing

1. Fill all holes, cracks, and crevices with wood filler.
2. Sand all surfaces of the planter box thoroughly.

3. Stain or paint the planter box the color of your choice. We've decorated our planter with 4" x 4" tiles. If you'd like to add tiles to your project, use paneling-and-construction adhesive (Liquid Nails) to glue four ceramic tiles in place on the front side (A). Allow the adhesive to set up for about an hour. (You'll know the glue has set when you're unable to move the tiles with your hands.)
4. Now start gathering all your miscellaneous cuttings and put them in the planter! Voila! It's done!

Enjoy other indoor and outdoor projects from
www.wowimadeit.com !

