

Rabbit Live-Trap

by David E. Pitts

Construction: To be effective, the rabbit trap should be constructed of fairly good lumber. The door and its guides are critical points, since gravity must close the door after the trigger is tripped. Be sure there is enough space between the guides that the door slides without binding. Some people extend the guides about 1 inch above the top of the trap to support the door. When the door is raised and the trigger is set, at least 2 inches or more of the door should be in the guide tracks. The opening should be at least 4 inches high. This height can be adjusted by changing the length of the string between the door and lever.

The trigger is not complicated, although it may require some fine-tuning to insure a quick release when contact is made.

Location and Operation: Rabbits live in areas where good escape cover is available—in brushpiles, briar patches and thick fencerows. They also prefer low-cut bluegrass mixed with clovers and shrubs. In order to catch rabbits, the box trap must be placed in or along the runs or trails made by rabbits using these areas.

Opinions vary as to the importance of baits for the box trap. Some prefer baits such as apples, carrots or corn, while others use no bait at all. Baits may attract opossums and skunks in search of an easy meal.

Care should be taken to place the trigger notch on the edge of the hole nearest the door. This will insure its release when the animal pushes against it upon entering the trap.

Comment: With a little modification in the size during construction, this trap design may be adapted to catch other, larger or even smaller animals. Nuisance animals may be trapped and moved to another area, using the box for transport.

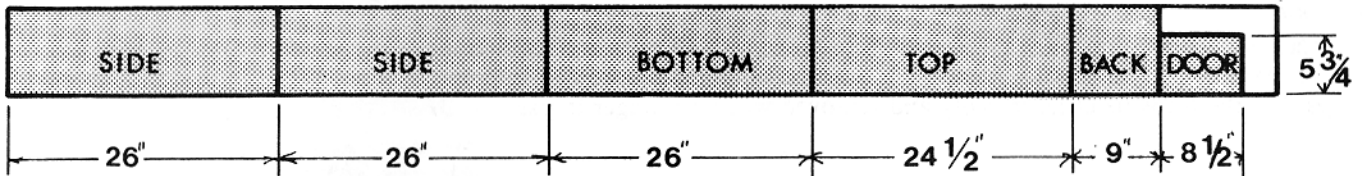
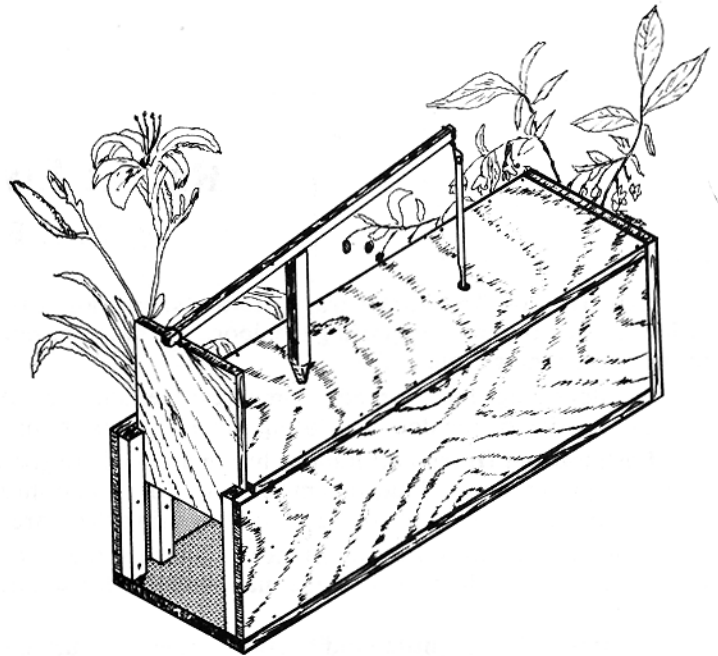
Caution: These traps must be used in accordance with all rules and regulations of the *Wildlife Code of Missouri*. Certain permits and landowner permission must be obtained before any trapping is done. When in use, the law requires that the traps be checked daily and removed when no longer in use.

HOW TO BUILD A RABBIT LIVE-TRAP



Drawings
by Steve Gum

Missouri Department of Conservation



MATERIALS LIST

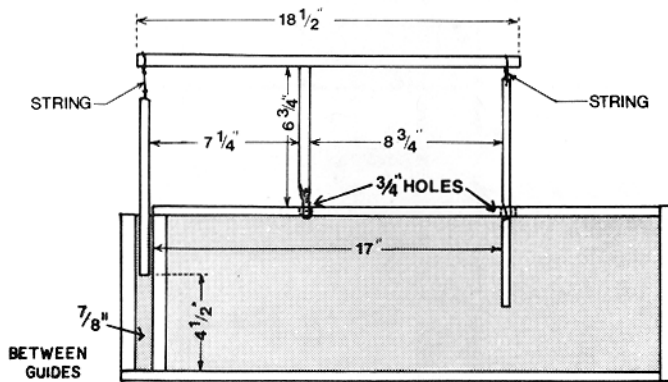
BOX ALL PARTS CAN BE BUILT FROM
A SINGLE 1"x8" BOARD 10' LONG.

LEVER..... 1 PIECE 3/4" x 3/4" x 18 1/2"

FULCRUM..... 1 PIECE 3/4" x 3/4" x 7 1/2"

GUIDES..... 4 PIECES 3/4" x 3/4" x HEIGHT
OF SIDES.

TRIGGER..... 3/8" to 1/2" DOWEL 11" LONG



TRIGGER DETAIL

