



## Rustic Sunflower Frame Plan

This rustic-looking frame will keep sunflowers and other tall plants from flopping over in the garden. For longevity, use rot-resistant cedar. And before starting, we cut decorative ends on the 1x4 cross rails (A), 2x4 ladder uprights (B) and 2x6 posts (D), but this step is optional. Here's how to put one together:

**Step one:** Sink three 36-inch 2x6 posts (D) into the ground in a straight line, 92 1/2 inches apart, center to center. The tops of all three posts should be 16 inches aboveground and even with each other.

**Step two:** Using one of the 2x6 posts as a guide, space two 6-foot 2x4s (B) the width of the post (about 5 1/2 inches). From the top of the 2x4s, measure down 12 inches, then attach the first 1x2 ladder rung (C) using No. 4 galvanized nails. Attach the next 1x2 about 3 3/8 inch below the first (the spacing should be far enough apart to

accommodate the 1x4 cross rails you will attach in step six).

**Step three:** Attach two more sets of 1x2 ladder rungs, leaving 18 inches between the upper edge of top rungs. Then turn the "ladder" over and repeat the process.

**Step four:** Build two more of these ladders, one for the middle of the frame and one for the other end.

**Step five:** Lift the ladders over the 2x6 posts that were sunk in the ground. The ladders will be held in place once you attach the 1x4 cross rails (A).

**Step six:** Place the cross rails (A) between the rungs of the ladder (C) so the cross rails butt to each other in the center (see side view) and extend 3 1/2 inches past the rungs. Predrill the holes, then attach the cross rails to the 2x4s (B) using 2-inch galvanized screws. □

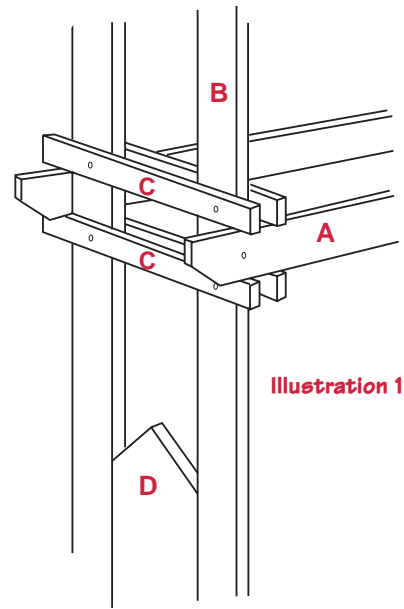
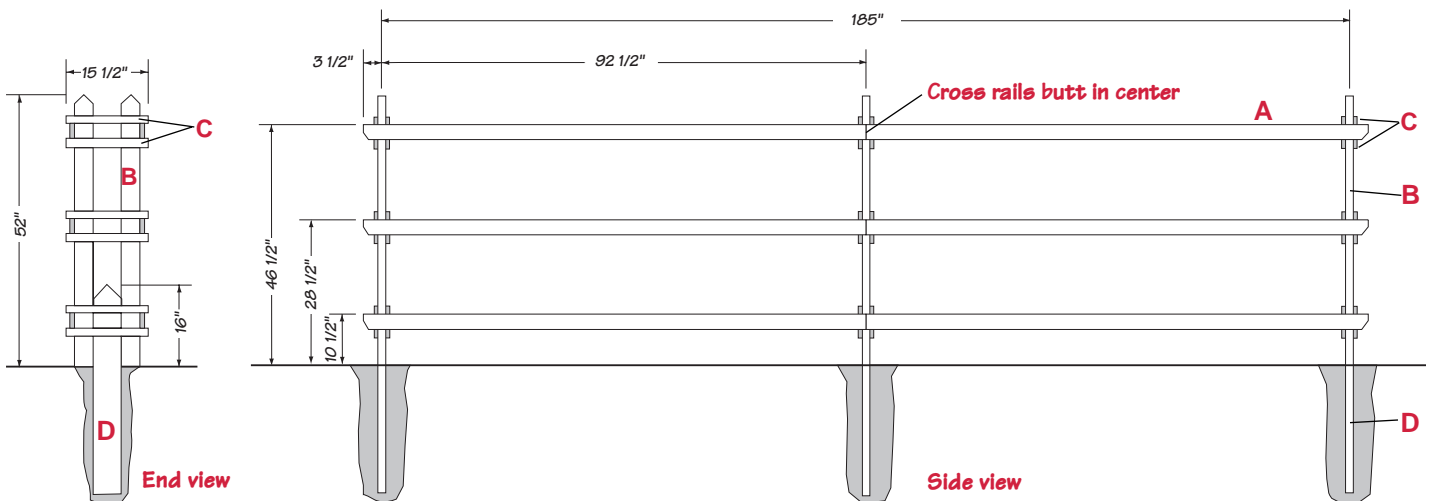


Illustration 1

### MATERIALS FOR 16-FT. FRAME

- 12 8-ft. 1x4 cross rails (A)
- 6 6-ft. 2x4 ladder uprights (B)
- 36 16-in. 1x2 ladder rungs (C)
- 3 36-in. 2x6 posts (D)
- 1 box, 2-in. galvanized screws
- 1 box, No. 4 galvanized nails



# Plans NOW

[www.PlansNOW.com](http://www.PlansNOW.com)



## Thank you!

Thanks for trying this free plan from PlansNOW.com.

We hope you enjoy the plan and we invite you to browse the other 100+ plans we offer online at [www.PlansNOW.com](http://www.PlansNOW.com).

### WHY GIVE AWAY FREE PLANS?

You may wonder how we can give these great plans away completely free. And we wondered too, until we realized that it's the **perfect way to get you to try out our plans**. The process for downloading this free plan is nearly the same as downloading our other PDF plans, except we don't ask for your credit card information. Since you successfully downloaded this plan, you understand just how easy it is to get great woodworking plans online.

### WE'RE COMMITTED TO YOUR SUCCESS

It's not only easy to *get* the plans, we also make it easy for you to *build* the projects! If you run into problems building this or any of our plans, call 800-444-7527 Monday through Friday, 9 a.m. to 5 p.m. Central Time. You'll speak with our friendly customer service representatives and **get answers to your questions** from a fellow woodworker like Matt TeRonde. Matt's our resident expert—he'll research your questions and find the answers you need. Or, you can contact Matt directly at [techrep@augusthome.com](mailto:techrep@augusthome.com).

AND WHILE YOU'RE ON THE WEB....

## WoodNet

As you know, PlansNOW.com is a great source for woodworking plans. But have you checked out our online woodworking magazines and other resources?

- Woodsmith Magazine [www.woodsmith.com](http://www.woodsmith.com)
- ShopNotes Magazine [www.shopnotes.com](http://www.shopnotes.com)
- Workbench Magazine [www.workbenchmag.com](http://www.workbenchmag.com)
- WoodNet [www.augusthome.com/woodnet.htm](http://www.augusthome.com/woodnet.htm)
  - Woodworkers' forums - four of 'em
  - 100+ woodworking tips and techniques
  - 60+ of our favorite woodworking links
  - Honest, to-the-point tool reviews

DISCOVER OUR ONLINE WOODWORKING STORE

[www.woodsmithstore.com](http://www.woodsmithstore.com)

## Woodsmith Store™ ONLINE



Tools



Hardware Kits



Shop Jigs



Shop Furniture



Printed Project Plans