

Schedule of Materials Step Tansu

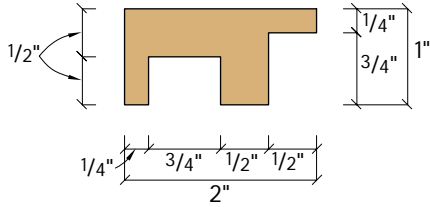
**Lower Cabinet**

No.	Item	Dimensions T W L	Material
2	Top & bot.	3/4" x 17" x 51"	Ply
4	Cabinet stiles	1" x 2" x 16"	M
2	Side panels	3/4" x 15" x 16"	Ply
1	Back panel	3/4" x 16" x 47"	Ply
4	Dr stiles	3/4" x 2" x 16"	M
4	Dr rails	3/4" x 2" x 21"	M
2	Thin rails	3/4" x 1" x 21"	M
2	Top panel	1/4" x 7 <sup>1</sup> / <sub>16</sub> " x 21"	Ply
2	Lower panel	1/4" x 4 <sup>11</sup> / <sub>16</sub> " x 21"	Ply
4	Interior stiles	1/4" x 1" x 7"	M
4	Runners	1/4" x 1/4" x 46"	M
1	Partition	3/4" x 13" x 16"	Ply
3	Cleats	3/4" x 3/4" x 13"	M

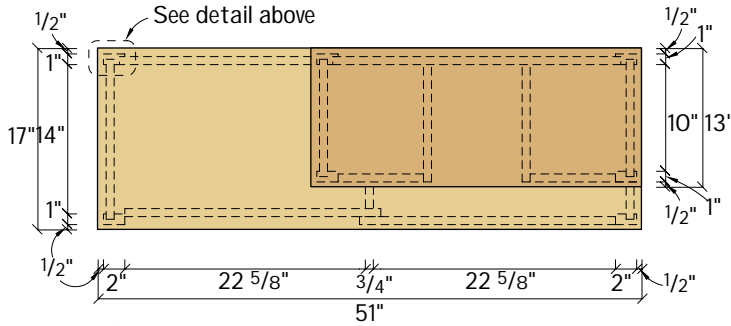
**Upper Cabinet**

No.	Item	Dimensions T W L	Material
2	Top & bot.	3/4" x 13" x 31"	Ply
4	Cabinet stiles	1" x 2" x 11"	M
2	Side panels	3/4" x 11" x 11"	Ply
1	Back panel	3/4" x 11" x 27"	Ply
2	Vert dividers	3/4" x 10 <sup>1</sup> / <sub>2</sub> " x 11"	Ply
4	Lg drw frts	3/4" x 4" x 8"	M
8	Drw sides	1/2" x 4" x 10 <sup>1</sup> / <sub>8</sub> "	Ply
4	Drw backs	1/2" x 4" x 7 <sup>1</sup> / <sub>2</sub> "	Ply
6	Drw bot	1/4" x 7 <sup>1</sup> / <sub>2</sub> " x 9 <sup>3</sup> / <sub>4</sub> "	Ply
2	Sm drw frts	3/4" x 3" x 8"	M
2	Drw sides	1/2" x 3" x 10 <sup>1</sup> / <sub>8</sub> "	Ply
4	Drw backs	1/2" x 3" x 7 <sup>1</sup> / <sub>2</sub> "	Ply

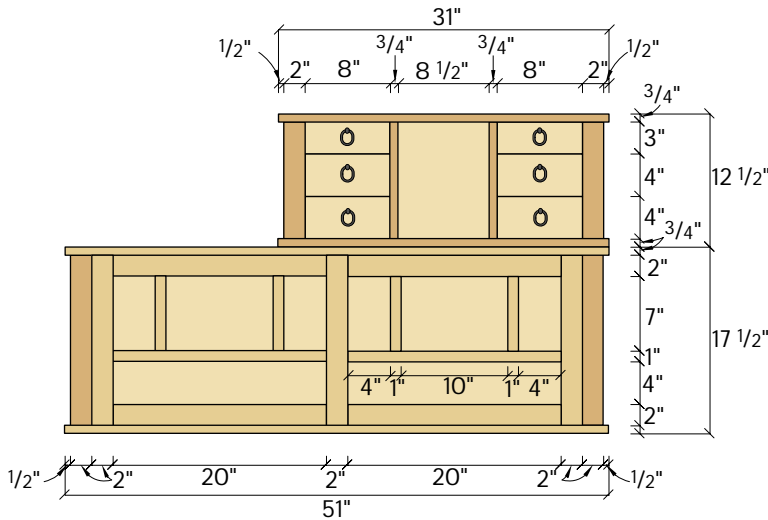
M= Hard maple, Ply= Maple plywood



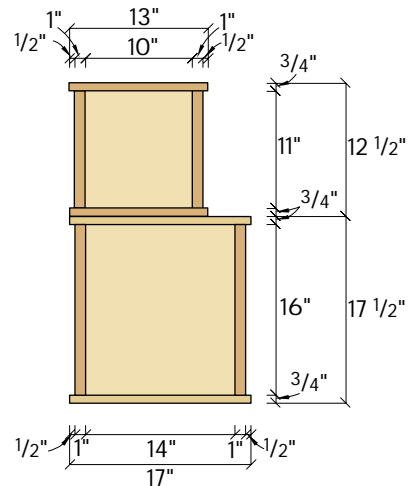
Detail of back cabinet stiles



Plan



Elevation



Profile