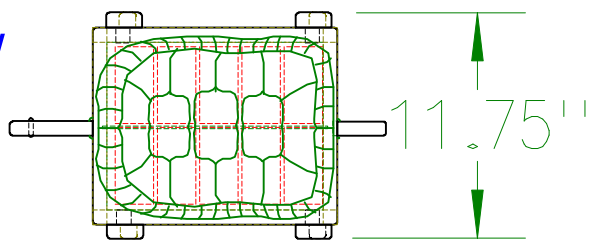


# Animal Boxes

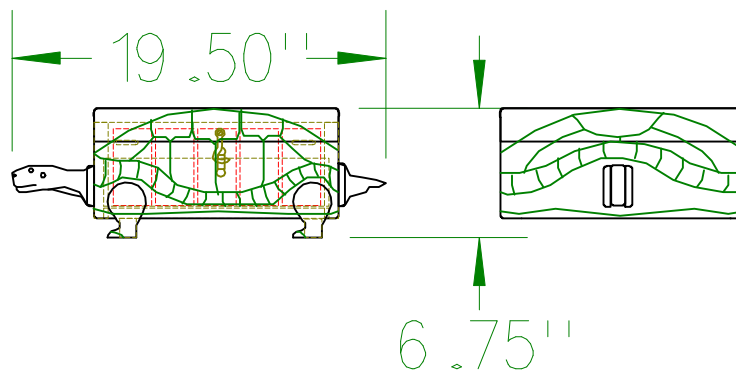
## Turtle 100 Disk Box

Tom Riley  
02/21/00  
Anbox3.skf

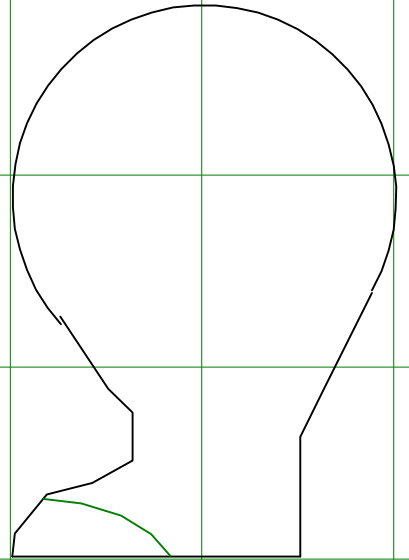
Top View



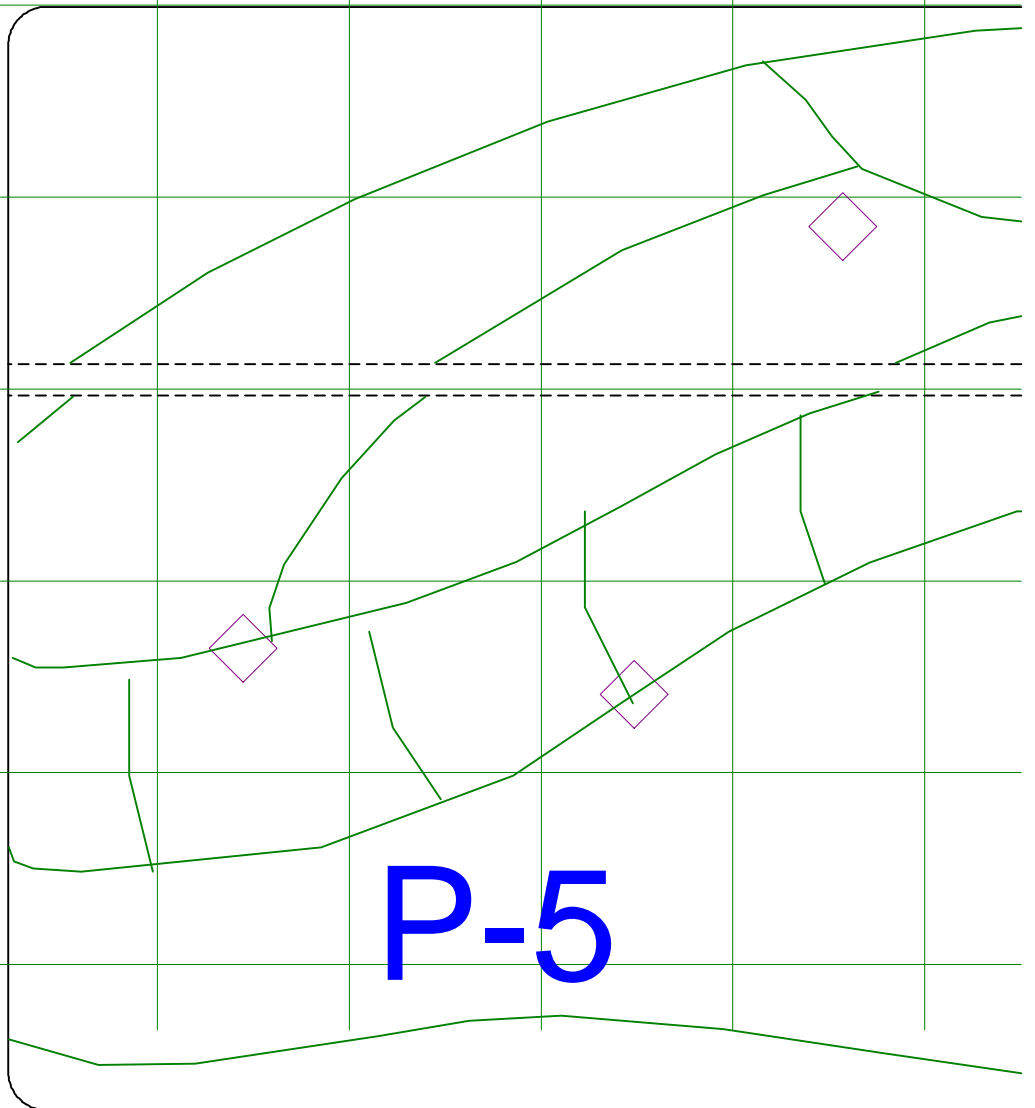
Side View



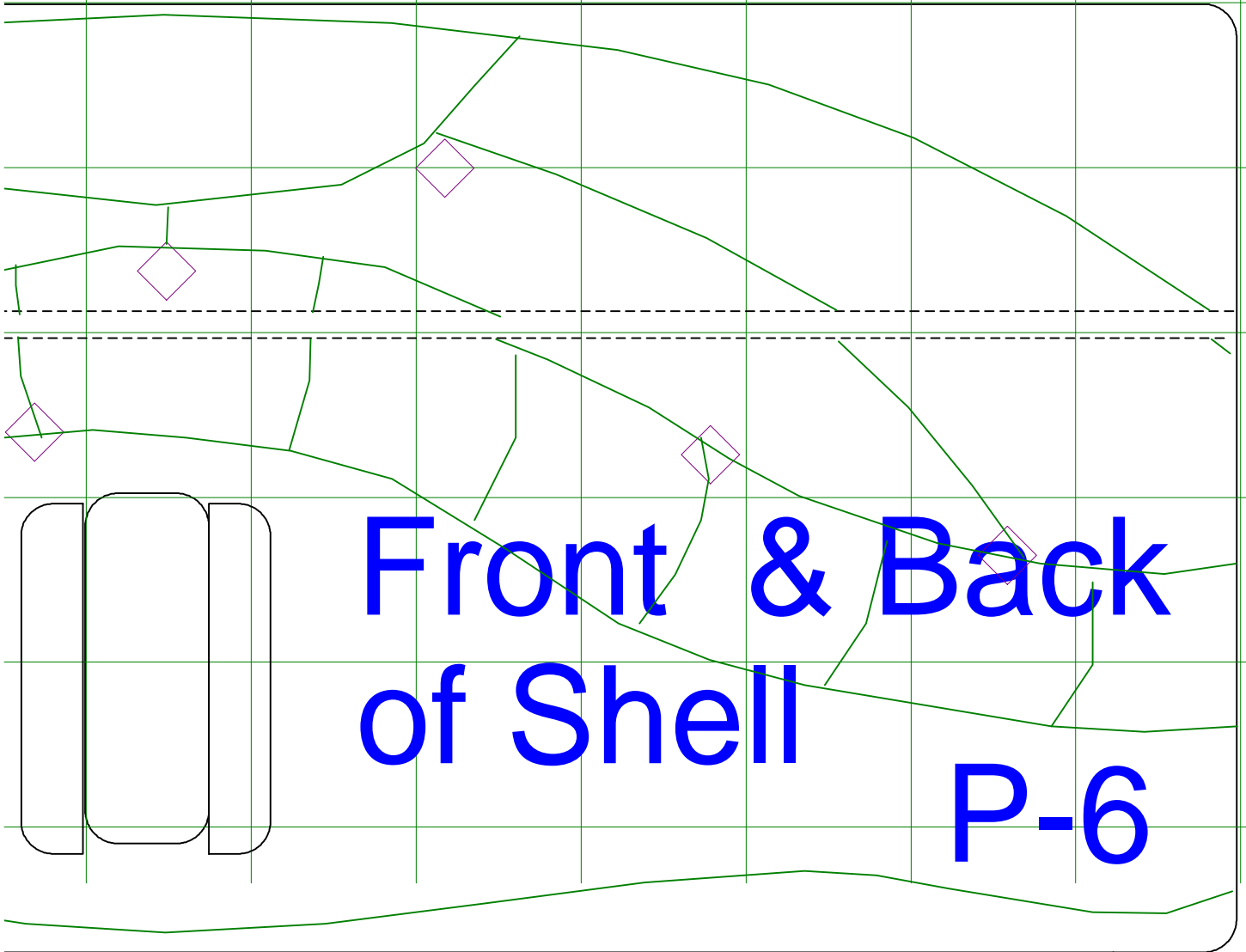
# Legs 4 Req



Saw Cut

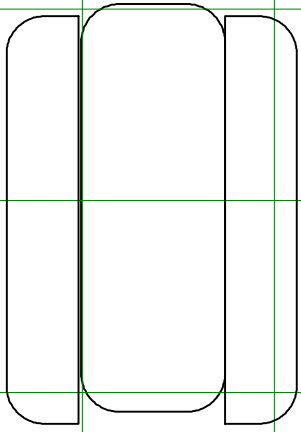


# P-5



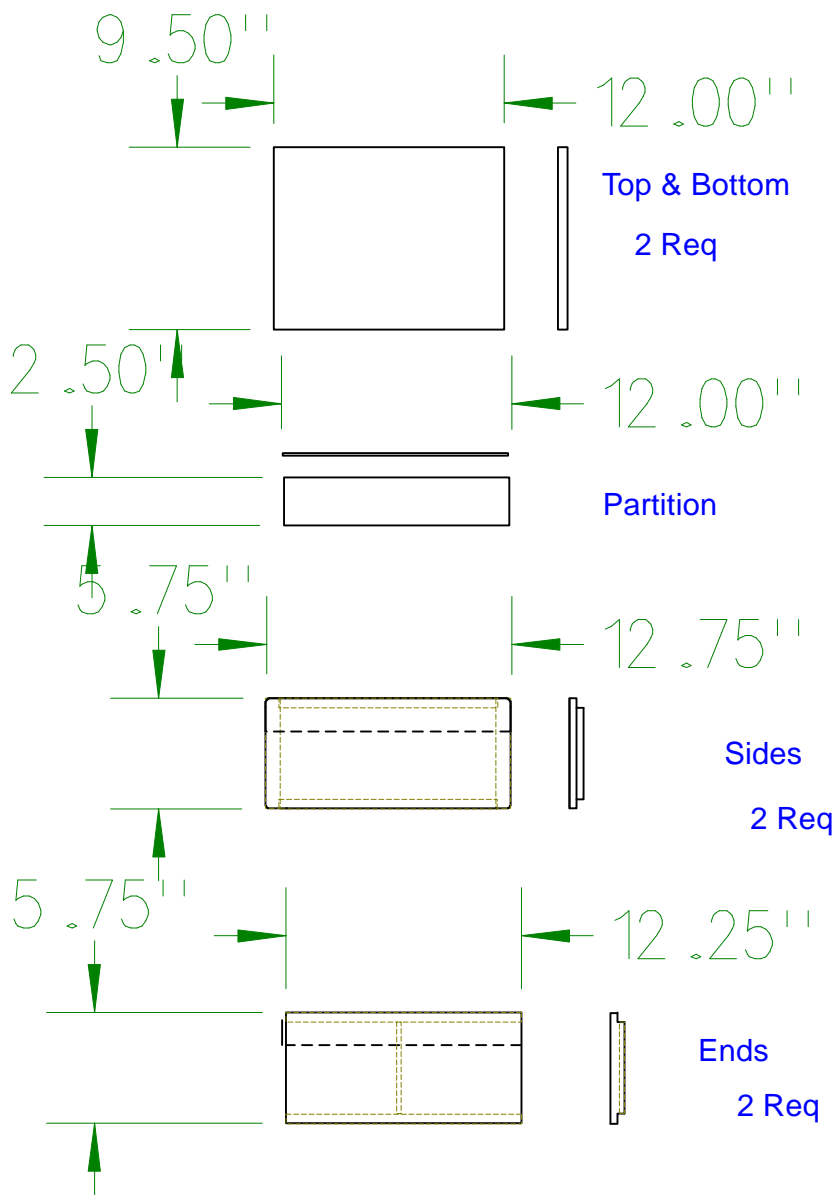
**Front & Back  
of Shell**

**P-6**



# Animal Boxes

## Turtle 100 Disk Box Box Parts Sketch #2

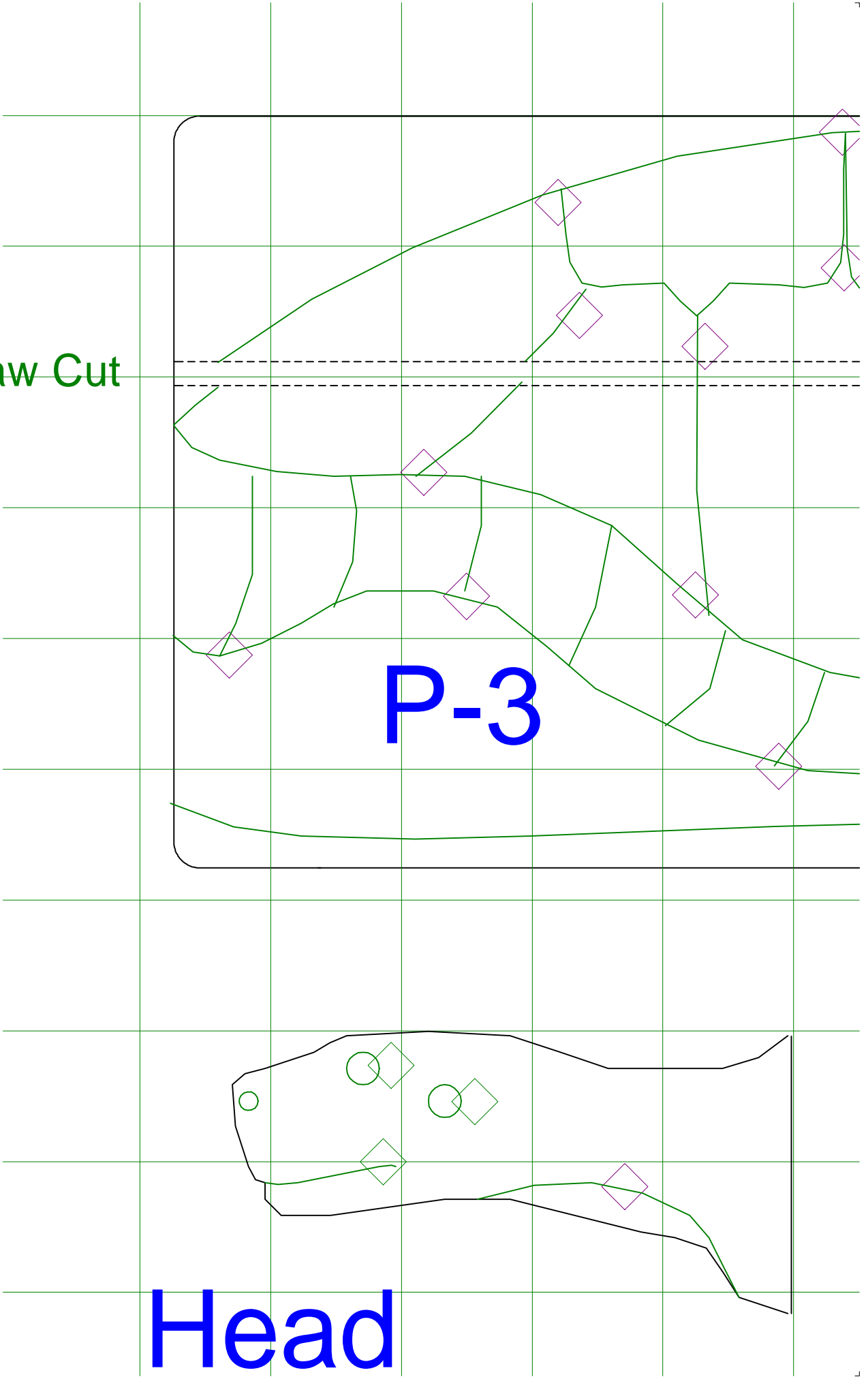


Note:  
Cut Lid loose after  
box assembly

Saw Cut

P-3

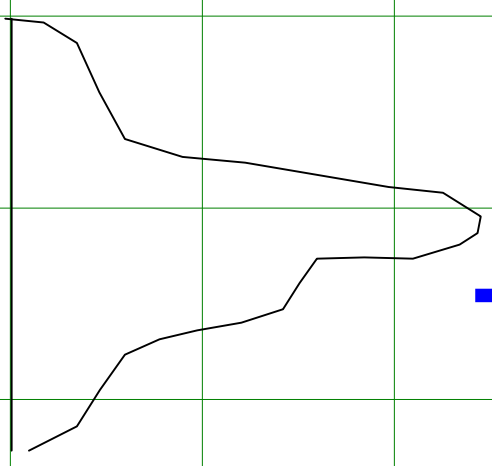
Head





**Sides of Shell**

**P-4**



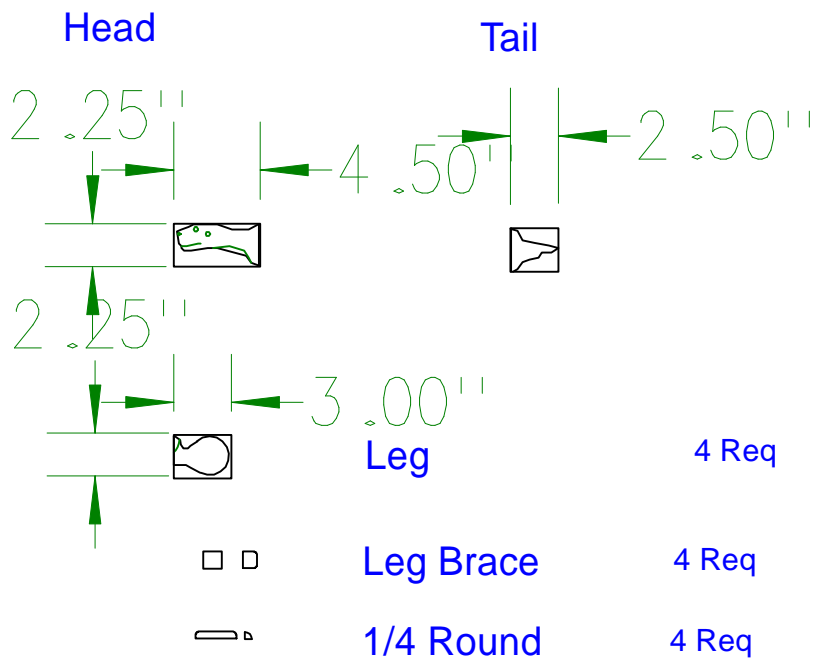
**Tail**

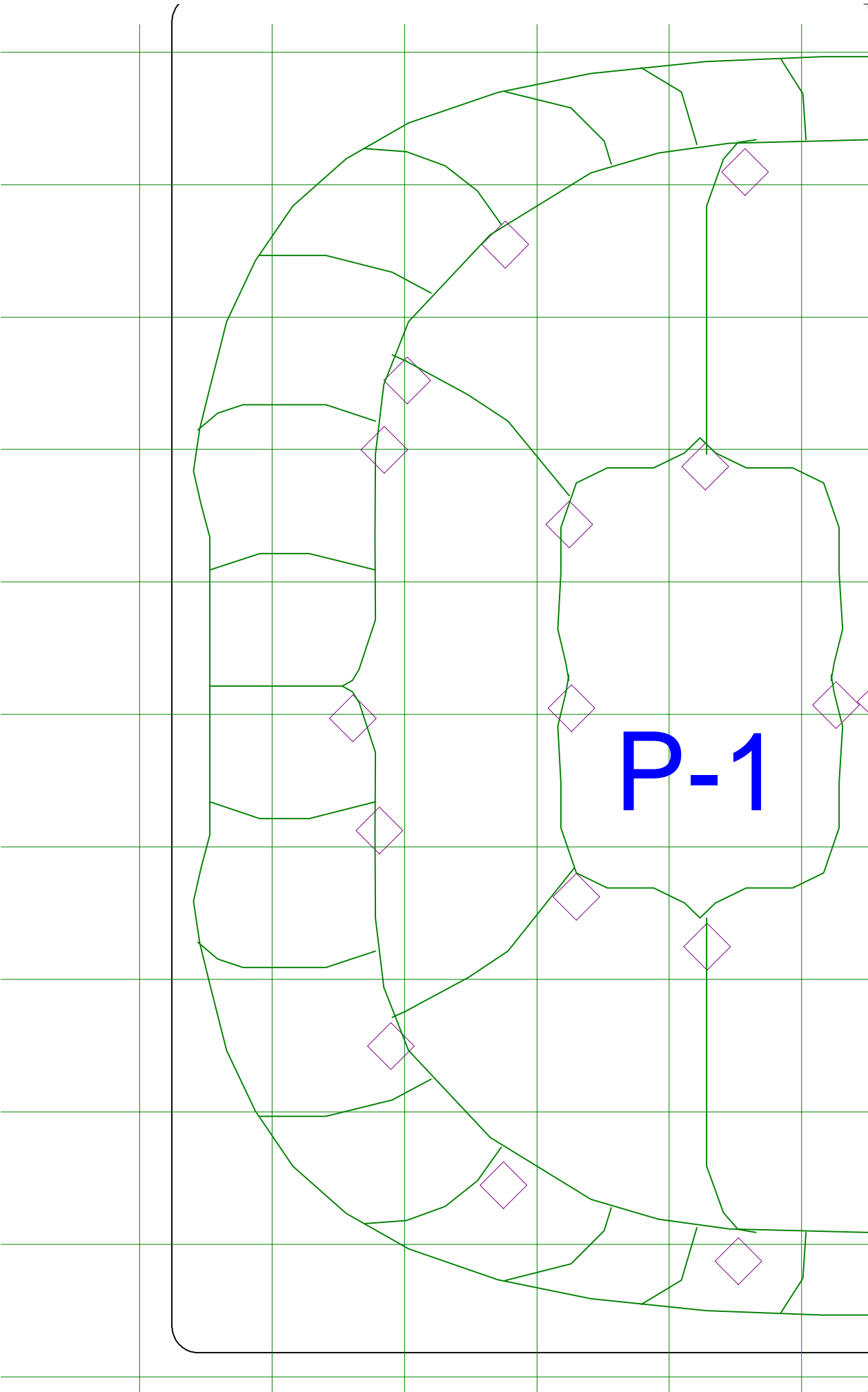
# Animal Boxes

Turtle 100 Disk Box

Animal Parts

Sketch #3







**Top of Shell  
P-2**