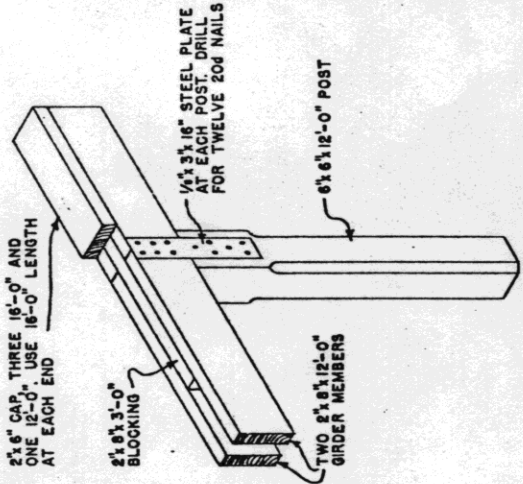
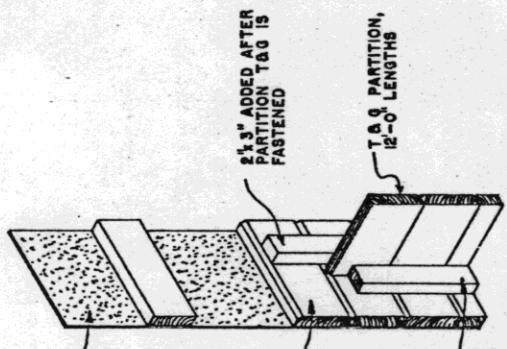


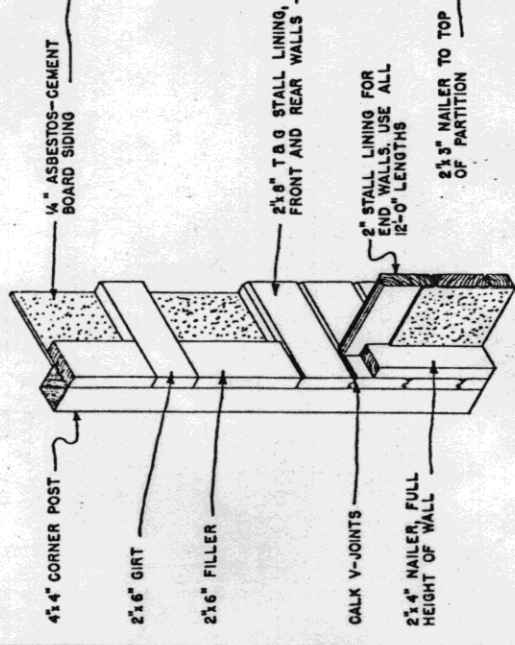
ALL POSTS AND OTHER WOOD MEMBERS WITHIN 2'-0" OF GRADE LINE TO BE PRESURE-TREATED WITH PRESERVATIVE



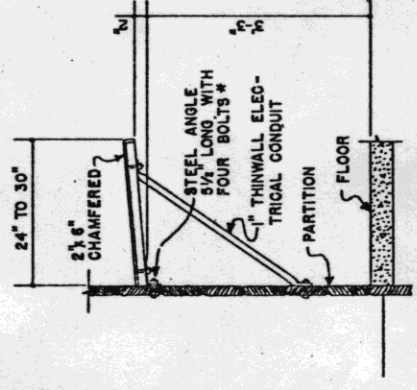
POST AND GIRDER



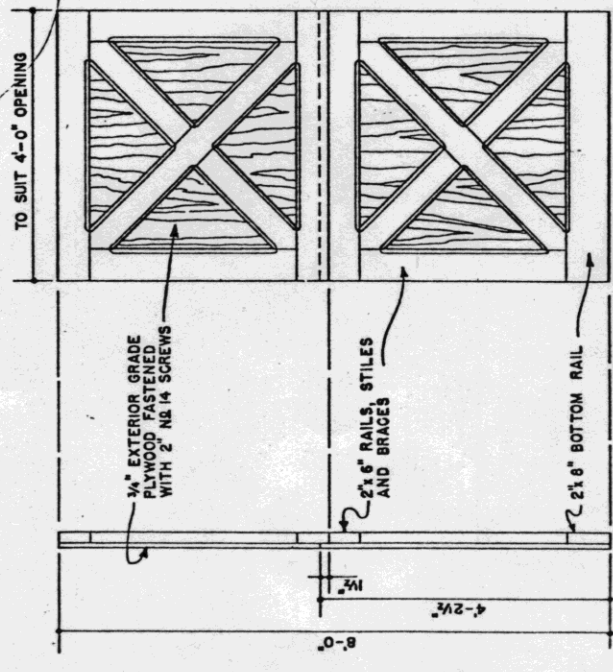
PARTITION TYPICAL DETAILS



CORNER



SADDLE RACK



USE HEAVY DUTY HINGES AND DOOR BOLTS DUTCH DOORS